

## **LOKJAC Category 6 Locking Inline Coupler, STP and UTP**



### **LOKJAC Category 6 Locking Inline Coupler, shielded (SACSLJ) and unshielded (SACLJ)**

These LOKJAC locking couplers enable cables to be easily extended and sockets to be temporarily relocated. The locking/blocking facility prevents unauthorised use of the connection and avoids unintended disconnection where vibration or interference is a concern.

#### **Features**

- Transmission performance in compliance with Category 6 EIA/TIA 568B standard
- Robust and stylish design
- Cables are locked securely into place with LOKJAC key, with easy lock and release mechanism
- Locking bar blocks unauthorised access to unused socket

- Compliant with IEC 60512-99-001 – suitable for use with IEEE 802.3at (POE+) applications
- **N.B. Cannot be used without LOKJAC key (TLJ) – supplied separately**

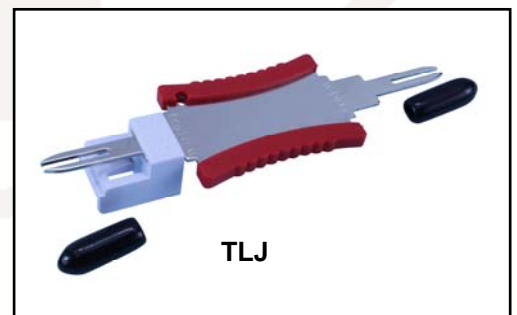
### Specifications

- Weight: 24g each
- Dimensions: 26 x 34.5 x 47.5 mm
- Colour: shielded: silver                      unshielded: white
- Material:
  - Body:
    - unshielded: fireproof ABS UL-94V0
    - shielded: chrome plated ABS
  - Jack: 8p8c 50µ"/1.27 µm gold plating
  - PCB: FR-4/UL-94V0
  - Locking bar: cold rolled steel (SPCC)
- Electrical specifications:
  - Insulation resistance: 500M Ω (min.)
  - Contact resistance: 20m Ω (max.)
  - Current rating: 1.5 Amps
  - DC resistance: 0.1 Ω (max.)
  - Withstanding voltage: 1000 VAC RMS @ 60Hz/ 1 min.
- Mechanical specifications:
  - Jack Insertion cycle: over 2000 cycles (min.)
  - Lock bar tension: 15 kgs (min.)
- Operation temperature: -40°C ~+70°C

**Commodity Code:** 85444290

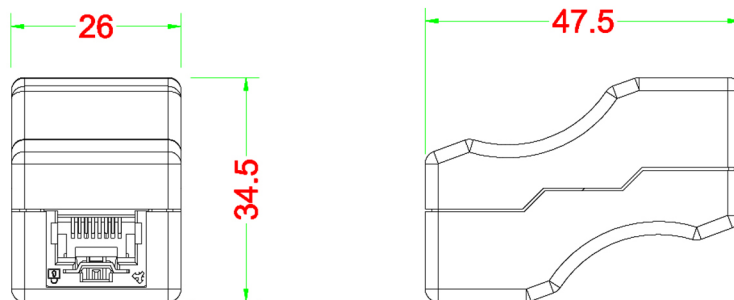
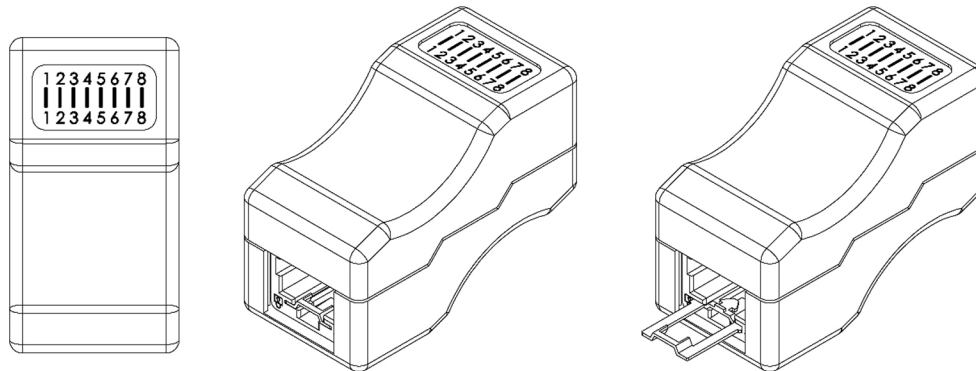
**EAN:** SACLJ: 5055386507464                      SACSLJ: 5055386507457

**Packaging:** Individual Poly Bags with instructions. Packed in 20's



ROHS Compliant

**Code: SACLJ**



**Performance:**

Meets C6 EIA/TIA 568B Standard.

**Materials:**

Body : Fireproof ABS UL-94V0

Jack : 8P8C 50 $\mu$ "/1.27 $\mu$ m gold plating

PCB : FR-4 / UL-94V0

Locking bar: Cold Rolled Steel SPCC

**Electrical Specifications:**

Insulation Resistance : 500M ohms (min.)

Contact Resistance : 20m ohms (max.)

Current Rating : 1.5 Amps .

DC Resistance : 0.1 ohm (max.)

Withstanding Voltage : 1000 VAC RMS @ 60Hz / 1 min.

**Mechanical Specifications:**

Jack Insertion Cycle : Over 2000 Cycles (min.)

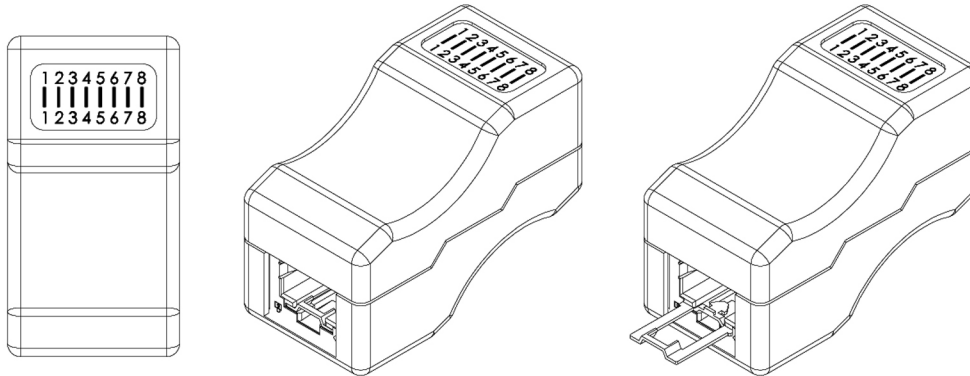
Lock Bar Tension : 15 kgs (min.)

Operation Temperature : -40  $^{\circ}$ C ~ +70  $^{\circ}$ C

TOLERANCE: X  $\pm$  1    · X  $\pm$  0.2    · XX  $\pm$  0.15

ROHS Compliant

**Code: SACSLJ**



**Performance:**

Meets C6 EIA/TIA 568B Standard.

**Materials:**

Body : Chromium Plated ABS

Jack : 8P8C 50 $\mu$ "/1.27 $\mu$ m gold plating

PCB : FR-4 / UL-94V0

Locking bar: Cold Rolled Steel SPCC

**Electrical Specifications:**

Insulation Resistance : 500M ohms (min.)

Contact Resistance : 20m ohms (max.)

Current Rating : 1.5 Amps .

DC Resistance : 0.1 ohm (max.)

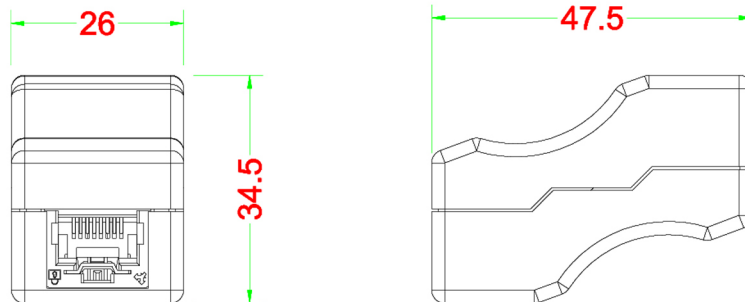
Withstanding Voltage : 1000 VAC RMS @ 60Hz / 1 min.

**Mechanical Specifications:**

Jack Insertion Cycle : Over 2000 Cycles (min.)

Lock Bar Tension : 15 kgs (min.)

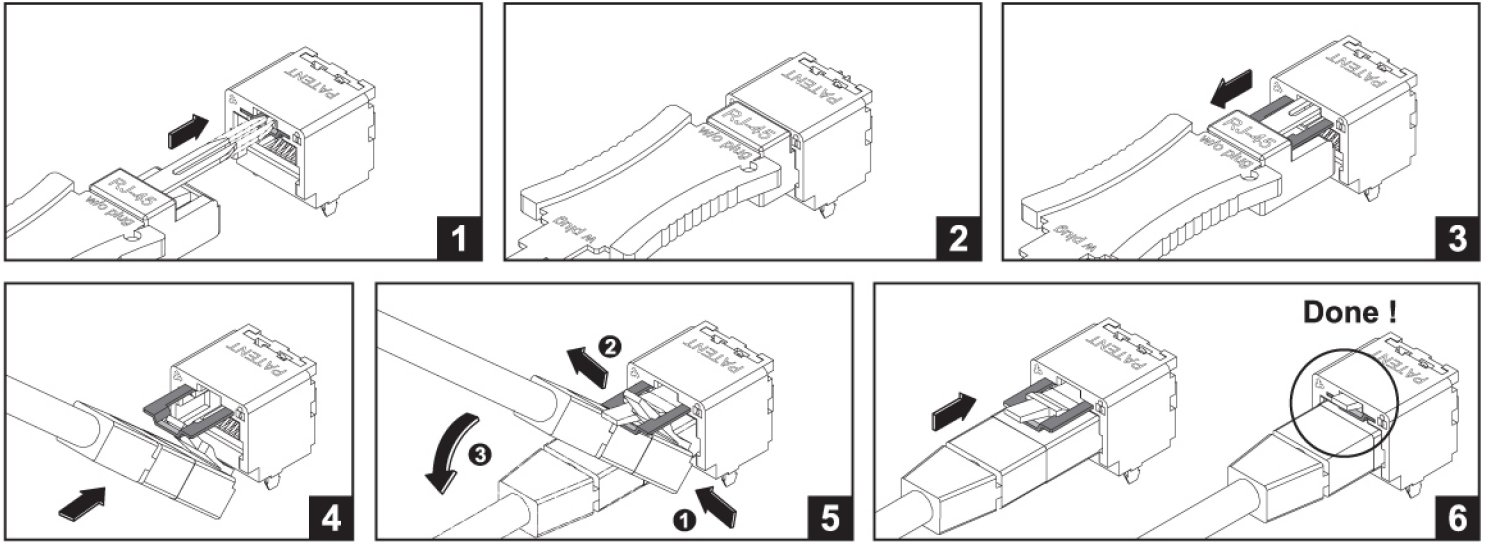
Operation Temperature : -40  $^{\circ}$ C ~ +70  $^{\circ}$ C



TOLERANCE: X  $\pm$  1 · X  $\pm$  0.2 · XX  $\pm$  0.15



## Insert the plug



## Pull out the plug

