

PLEASE CHECK WWW.MOLEX.COM FOR LATEST PART INFORMATION

Part Number: [0782291002](#)
Status: **Active**
Overview: [GbX I-Trac Backplane Connector System](#)
Description: GbX I-Trac Right-Angle Header with Left Hold Down, Power Module, 2 Blades, 40 Amps, Lead-Free

Documents:

[3D Model](#) [Application Specification AS-78231-007-001 \(PDF\)](#)
[Drawing \(PDF\)](#) [RoHS Certificate of Compliance \(PDF\)](#)
[Product Specification PS-78231-006-001 \(PDF\)](#)

Agency Certification

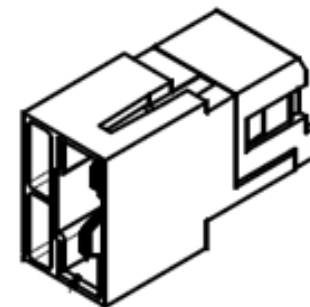
CSA LR19980
 UL E29179

General

Product Family Backplane Connectors
 Series [78229](#)
 Application Daughtercard
 Component Type Power Header
 Overview [GbX I-Trac Backplane Connector System](#)
 Product Name GbX I-Trac
 UPC 883906023355

Physical

Circuits (Loaded) 2
 Circuits (maximum) 2
 Circuits Detail 40 Amps (20/Split Blade). Power Module 1 Blade
 Length P1, 8.27mm; P2, 9.77mm
 Color - Resin Black
 Durability (mating cycles max) 100
 First Mate / Last Break Yes
 Flammability 94V-0
 Guide to Mating Part No
 Keying to Mating Part None
 Material - Metal High Performance Alloy (HPA)
 Material - Plating Mating Gold
 Material - Plating Termination Tin
 Material - Resin High Temperature Thermoplastic
 Net Weight 5.835/g
 Number of Columns 1
 Number of Pairs 4
 Number of Rows 2
 Orientation Right Angle
 PC Tail Length 2.41mm
 PCB Locator Yes
 PCB Retention Yes
 PCB Thickness - Recommended 1.60mm
 Packaging Type Tray
 Pitch - Mating Interface 2.00mm, 7.40mm
 Pitch - Termination Interface 2.00mm, 7.40mm
 Polarized to PCB Yes
 Stackable No
 Surface Mount Compatible (SMC) Yes
 Temperature Range - Operating -20° to +85°C
 Termination Interface: Style Through Hole - Compliant Pin



Series image - Reference only

EU ELV

Not Relevant

EU RoHS

Compliant

REACH SVHC

Not Contained Per
 -ED/88/2018 (15
 January 2019)

Halogen-Free

Status

Low-Halogen

For more information, please visit [Contact US](#)

China ROHS

ELV

RoHS Phthalates

China RoHS

Green Image

Not Relevant

Not Contained

Search Parts in this Series

[78229](#) Series

Mates With

[78227](#) GbX I-Trac Vertical Receptacle,
 Power Module. [78230](#) GbX I-Trac Power
 Receptacle

Use With

[76020](#) GbX I-Trac Right Angle, 7 Row
 Receptacle Module

Electrical

| | |
|-------------------------------|-----------|
| Current - Maximum per Contact | 40.0A |
| Data Rate | 12.0 Gbps |
| Shield Type | N/A |
| Shielded | No |
| Voltage - Maximum | 250V DC |

Solder Process Data

| | |
|-----------------------------|-----|
| Lead-freeProcess Capability | N/A |
|-----------------------------|-----|

Material Info**Reference - Drawing Numbers**

| | |
|---------------------------|------------------|
| Application Specification | AS-78231-007-001 |
| Product Specification | PS-78231-006-001 |
| Sales Drawing | SD-78229-003 |

This document was generated on 07/15/2019

PLEASE CHECK WWW.MOLEX.COM FOR LATEST PART INFORMATION