

# PLT10HN101150P0#

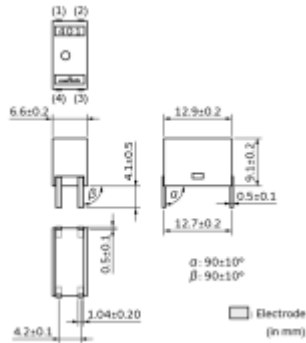
“#” indicates a package specification code.



< List of part numbers with package codes >

PLT10HN101150P0B

## Appearance & Shape



## Features

### Features

1. Meets large current up to 15A max. suitable for power lines.
2. Leaded type.
3. Large common mode impedance up to 400ohm [at 10MHz] enables good noise suppression effect.
4. Wide operating temperature range from -55°C to 125°C. [PLT10HN401100P0/ PLT10HN101150P0]

### Application

Common mode noise suppression for power supply lines.

## Applications

Other Usage	For general
-------------	-------------

## Packaging Information

Packaging	Specifications	Minimum Order Quantity
B	Bulk(Bag)	100

### Attention

1. This datasheet is downloaded from the website of Murata Manufacturing Co., Ltd. Therefore, its specifications are subject to change or our products in it may be discontinued without advance notice. Please check with our sales representatives or product engineers before ordering.
2. This datasheet has only typical specifications because there is no space for detailed specifications. Therefore, please review our product specifications or consult the approval sheet for product specifications before ordering.

# PLT10HN101150P0#

“#” indicates a package specification code.



## Specifications

Shape	Lead	Number of Circuit	1
Length	12.9mm	Common Mode Inductance	2.0μHmin.
Length Tolerance	±0.2mm	Operating Temperature Range(Self-temperature rise is included)	Yes
Width	6.6mm		
Width Tolerance	±0.2mm		
Thickness	9.1mm		
Thickness Tolerance	±0.2mm		
Common Mode Impedance (at 10MHz)	100Ω		
Common Mode Impedance (at 10MHz) Tolerance	(Typ.)		
Rated Current	15A		
Rated Voltage	300Vdc		
Withstanding Voltage	750Vdc		
DC Resistance(max.)	2.3mΩ		
DC Resistance	1.8mΩ±0.5mΩ		
Insulation Resistance(min.)	10MΩ		
Operating Temperature Range	-55°C to 125°C		
Mass(typ.)	2.1g		

### Attention

1.This datasheet is downloaded from the website of Murata Manufacturing Co., Ltd. Therefore, it's specifications are subject to change or our products in it may be discontinued without advance notice. Please check with our sales representatives or product engineers before ordering.

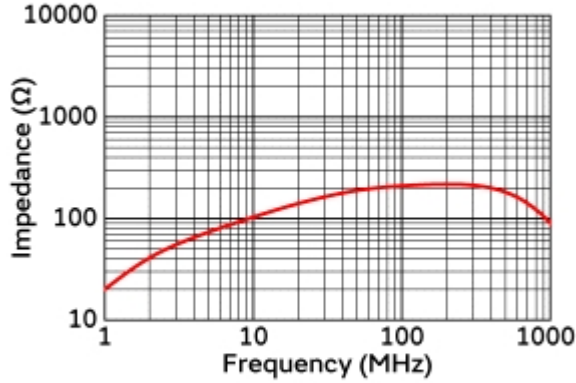
2.This datasheet has only typical specifications because there is no space for detailed specifications.

Therefore, please review our product specifications or consult the approval sheet for product specifications before ordering.

# PLT10HN101150P0#

"#" indicates a package specification code.

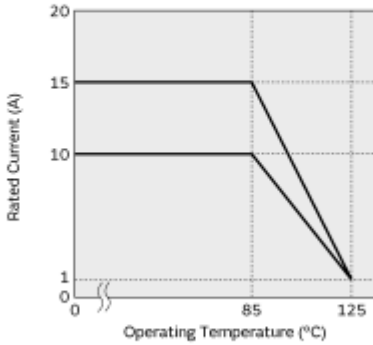
## Product Data



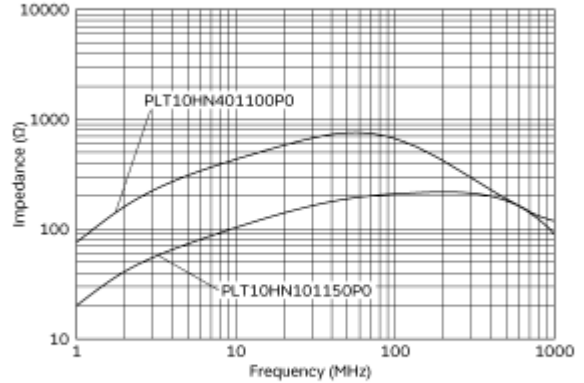
Impedance-Frequency Characteristics

In operating temperature exceeding +85°C, derating of current is necessary for PLT10HN series. Please apply the derating curve shown in chart according to the operating temperature.

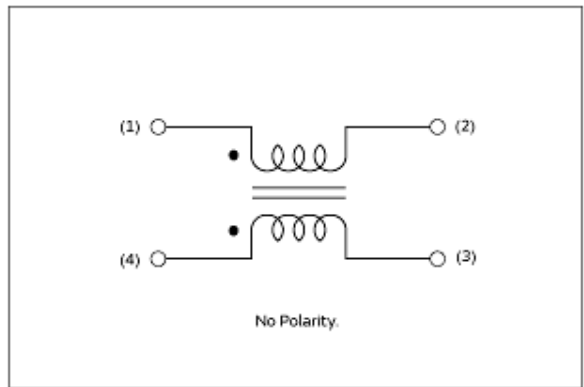
Derating of Rated Current



Derating of Rated Current



Impedance-Frequency Characteristics (Main Items)



Equivalent Circuit

**Attention**

- 1.This datasheet is downloaded from the website of Murata Manufacturing Co., Ltd. Therefore, it's specifications are subject to change or our products in it may be discontinued without advance notice. Please check with our sales representatives or product engineers before ordering.
  - 2.This datasheet has only typical specifications because there is no space for detailed specifications.
- Therefore, please review our product specifications or consult the approval sheet for product specifications before ordering.