

# Clariflo®



## AUTOMOTIVE WHEEL DOLLY

MODEL NO: AWD1

PART NO: 7630205

## USER INSTRUCTIONS

## INTRODUCTION

Thank you for purchasing this CLARKE product. Before attempting to use this product, please read the instructions carefully to ensure the safety of yourself and that of others around you. In the event of damage, spare parts are available from the Clarke International parts department.

## ASSEMBLY

Attach the castors to each corner of the dolly. Use the four bolts, nuts and washers for each castor and tighten securely.

## SAFETY ADVICE

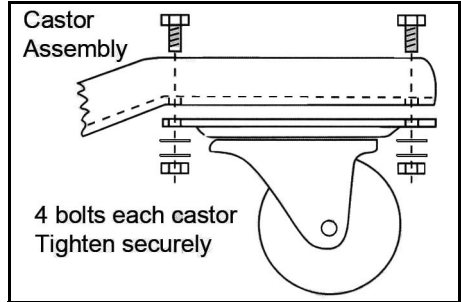
Never use the dollies on an incline. They are designed for use on a firm, smooth, level surface ONLY.

Ensure the vehicle engine is off before moving the dolly into position.

Do not exceed the maximum load for each dolly of 500kg.

DO NOT work on a vehicle whilst it is still supported by the dollies.

Take extra care if the vehicle engine is running. If the drive wheels are engaged the dollies could be ejected causing damage or personal injury.



## INSTRUCTIONS FOR USE

Jack the vehicle until the tyres are clear of the floor. Position the dollies under the tyres and centre them, then lower the vehicle carefully into place. Repeat at the other end of the vehicle if two sets are being used. When moving the vehicle, do so slowly and maintain control at all times. Do not use on sloping surfaces such as driveways. Occasionally lubricate the swivel bearing and axles.

## GUARANTEE

This CLARKE product is guaranteed against faulty manufacture for a period of 12 months from the date of purchase. Please keep your receipt as proof of purchase. This guarantee is invalid if the product is found to have been abused or tampered with in any way, or not used for its intended purpose.

Faulty goods should be returned to their place of purchase, no product can be returned to us without prior permission. This guarantee does not effect your statutory rights.

**E-mail: [Parts@clarkeinternational.com](mailto:Parts@clarkeinternational.com)    [Service@clarkeinternational.com](mailto:Service@clarkeinternational.com)**

**CLARKE INTERNATIONAL HEMNALL STREET, EPPING, ESSEX CM16 4LG**