


ROCKER SWITCHES

PRODUCT NUMBER 1801.2106



TECHNICAL DATA

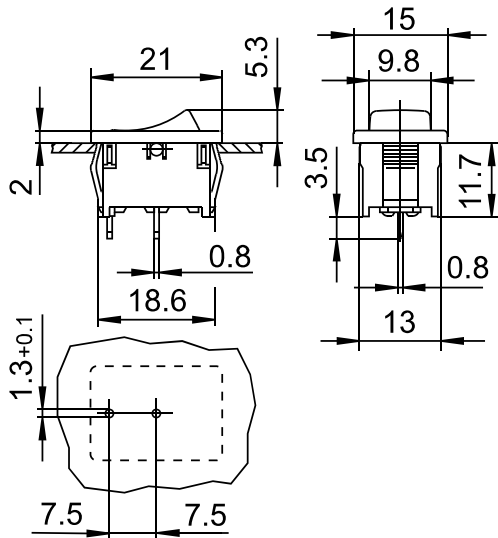
Product number	1801.2106
Actuator color / printing	
Product family	Rocker switches
Actuation type	direct
Weight	3.000 g
Switch on continuous current (capacitive)	5 A
Inrush current (capacitive)	50 A
ROHS conform	yes
Switching function	ON / OFF switch (SPST)
Material fixed contact	Cu silver-plated
Number of poles	1 - pole
connections	PCB terminal
Mechanical life endurance	10E4
Rating IEC	10 (4) A 250 V AC 1E4 6 (4) A 250 V AC 5E4
Rating North America	6 A 125 V AC 1/4 HP 6 A 250 V AC 1/2 HP
Contact resistance (new condition)	< 100 (1 A 12 V DC) mOhm
Insulation resistance (new condition)	> 100 (500 V DC) MOhm
Voltage strength at 250 V	→ function insulation / basic insulation 1 500 V → reinforced insulation 3 000 V → small contact distance 500 V
Proof tracking	250 PTI
Insulation spacing	acc. to EN 61058 for reinforced or double insulation
Protection type	→ Connection IP 40 → Actuator IP 40
Ambient temperature	→ connection side -20 °C ... +100 °C
Ambient temperature	→ Actuation side min. -20 °C ... +55 °C
Storage temperature	-40 °C ... +80 °C
Flammability	UL 94 V-2
Glow wire test temperature	850 °C

Actuators and additional actuators	rocker: PA, black, identification white
Housing description	housing: PA, black
Connection surface	→ bearing connection silver plated → external connection silver plated
Contact material	Ag
Contact distance	≥ 3 mm
Rating Code UL	R 30
Contact type	lifting contact
Plug force of the terminals	≤ 80 N
Approval marks	CSA / UL / ENEC 05
Suitable for appliances of protection class	II
Type of fastening	Snap fastening
Degree of pollution	3
Stock version	●

PRODUCT IMAGE



DRAWINGS



X	Y	Z
0.75 ... 1.25	19.2 -0.1	12.9 +0.1
1.25 ... 2	19.4 -0.1	12.9 +0.1
2 ... 3	19.8 -0.1	12.9 +0.1

X = wall thickness

Technical changes reserved. Dimensions are not binding.
Detailed specifications available on request.

Marquardt GmbH · Schloss-Straße 16 · 78604 Rietheim-Weilheim · Germany
Phone: +49 (0) 7424 / 99-0 · Fax: +49 (0) 7424 / 99-2399 · www.marquardt.com · marquardt@marquardt.de