

CGA3E1X7R1V105K080AE

TDK Item Description : CGA3E1X7R1V105KT***S



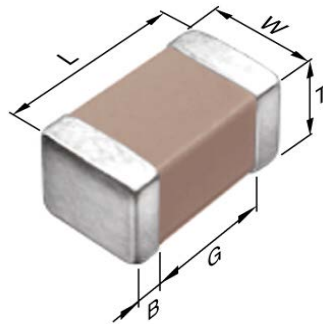
Equivalent C1608X7R1V105K for Automotive

Application & Main Feature

Automotive Grade (Soft Termination)

Series

CGA3(1608) [EIA CC0603]



Dimensions

L	1.60mm +0.2,-0.1mm
W	0.8mm +0.15,-0.1mm
T	0.8mm +0.15,-0.1mm
B	0.2mm Min.
G	0.30mm Min.

Temperature Characteristic

X7R (-55 to 125 degC +/-15%)

Rated Voltage

1V (35Vdc)

Capacitance

1uF

Capacitance Tolerance

K (+/-10%)

Dissipation Factor

5% Max.

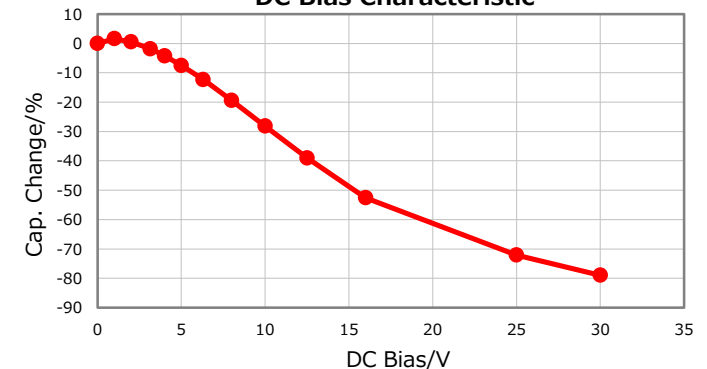
Insulation Resistance

500Mohm Min.

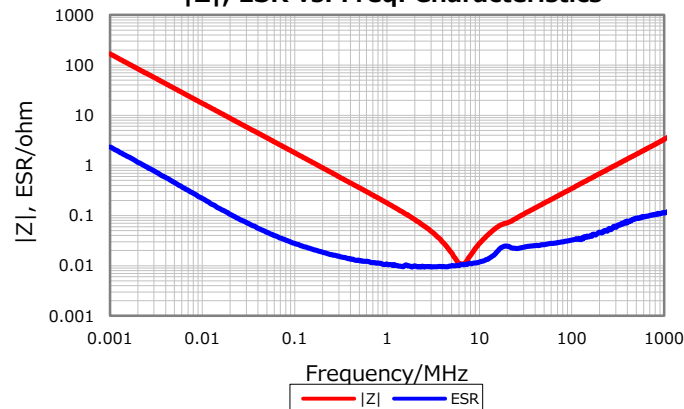
AEC-Q200

Yes

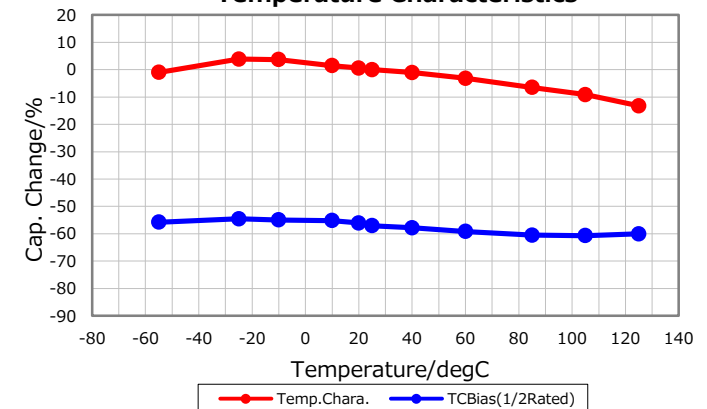
DC Bias Characteristic



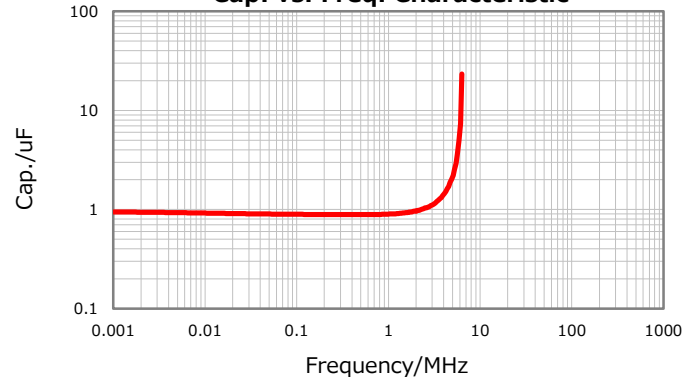
|Z|, ESR vs. Freq. Characteristics



Temperature Characteristics



Cap. vs. Freq. Characteristic



Ripple Temperature Rise Characteristics

