

DC Powered Digital Pressure Gauge with Dual Alarms

DPG104



INSTRUCTION SHEET

Shop online at omega.com e-mail: info@omega.com
For latest product manuals: omegamanual.info

Introduction

DPG104 is an integrated pressure gauge with display and control used to monitor hydraulic fluids. It monitors the pressure via the resistance measured on an isolation membrane. The output signal is amplified by a high-precision, low-temperature drift amplifier. The signal is then fed into a high accuracy A/D converter for the microprocessor to process and then show on the LED display.

This flexible, simple to operate digital pressure gauge is safe, reliable, and easy to debug. The DPG104 is widely used in hydro-power, water, petroleum, chemical, mechanical, hydraulic, and other industries.

Features

- High resolution, 4-digit LED display
- 100mm standard gauge dial
- 220V / 3A relay output

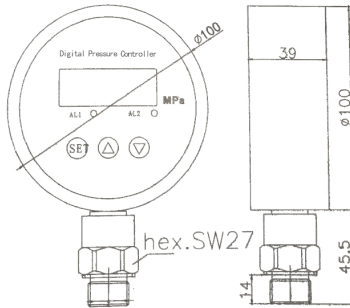
Specifications

Note, if the fluid being measured exceeds 80°C, select the high temperature accessory.

- **Measuring Range**
-0.1~0~100MPa
- **Accuracy Range**
±0.25% for gauge pressure >5psi
±0.5% FS for all others including absolute, compound gauge, and Vacuum ranges
- **Overload Pressure**
150%~200%
- **Pressure Type**
A/G/D
- **Stability**
≤0.1% FS per year
- **Power Supply**
13 to 30VDC
- **Display**
4 digits
- **Screen Size**
0.56" LED

- **IP Rating**
IP40
- **Relative Humidity**
≤90%
- **Operating Temp**
-30°C ~ 80°C
- **Fluid Temp**
-40°C ~150°C
- **Response Time**
< 30ms
- **Thread Size**
1/4 NPT Male
- **Thread Material**
SS316
- **Output (S) model**
4-20mA

Dimensions



Mechanical Installation

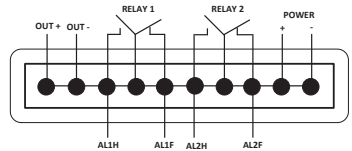
Install directly on the hydraulic pipe line. Other size connectors can be ordered. In high vibration / shock environments, pressure pipe joints can be mechanically decoupled through the use of hoses.

NOTE: Vertical installation is required when the measuring range is less than 100kPa.

Electrical Installation

Notes to prevent Interference

- Keep connection as short as possible
- Use shielded wire
- Avoid direct access to the wiring of the user's device or devices causing interference.
- When using mini hoses, ground the shell separately



Alarms

The DPG104's are provided with two SPDT relays that provide the user the capability to have each alarm have a normal acting (normally closed) and reverse acting (normally open) output." As a fail safe in the event of a sensor power down, the normally closed relay output will enable the alarm.

Operating Instructions

The programming menu uses the following terms to describe the various settings

- AL1H: Switch 1 pull-on value
- AL1L: Switch 1 drop-out value
- AL2H: Switch 2 drop-in value
- AL2L: Switch 2 drop-out value
- FILT: Filter coefficient to prevent spurious pulses triggering switch inputs

To make changes:

- Press SET button until LED display says LOCK
- Press ▼ or ▲ to enter the password (0001)
- Press SET to enter the selected menu (AL1H, AL1L, AL2H, AL2L, FILT)
- Press ▼ or ▲ to change the value.

NOTE: If you press and hold the SET button for 30 seconds while editing the settings, you will exit Setup mode and no changes will be saved.



omega.com info@omega.com

Servicing North America:

U.S.A.
Headquarters:

Omega Engineering, Inc.
Toll-Free: 1-800-826-6342 (USA & Canada only)
Customer Service: 1-800-622-2378 (USA & Canada only)
Engineering Service: 1-800-872-9436 (USA & Canada only)
Tel: (203) 359-1660 Fax: (203) 359-7700
e-mail: info@omega.com

For Other Locations Visit omega.com/worldwide

The information contained in this document is believed to be correct, but OMEGA accepts no liability for any errors it contains, and reserves the right to alter specifications without notice.

WARNING: These products are not designed for use in, and should not be used for, human applications.

WARRANTY/DISCLAIMER

OMEGA ENGINEERING, INC. warrants this unit to be free of defects in materials and workmanship for a period of **13 months** from date of purchase. OMEGA's WARRANTY adds an additional one (1) month grace period to the normal **one (1) year product warranty** to cover handling and shipping time. This ensures that OMEGA's customers receive maximum coverage on each product.

If the unit malfunctions, it must be returned to the factory for evaluation. OMEGA's Customer Service Department will issue an Authorized Return (AR) number immediately upon phone or written request. Upon examination by OMEGA, if the unit is found to be defective, it will be repaired or replaced at no charge. OMEGA's WARRANTY does not apply to defects resulting from any action of the purchaser, including but not limited to mishandling, improper interfacing, operation outside of design limits, improper repair, or unauthorized modification. This WARRANTY is VOID if the unit shows evidence of having been tampered with or shows evidence of having been damaged as a result of excessive corrosion; or current, heat, moisture or vibration; improper specification; misapplication; misuse or other operating conditions outside of OMEGA's control. Components in which wear is not warranted, include but are not limited to contact points, fuses, and triacs.

OMEGA is pleased to offer suggestions on the use of its various products. However, OMEGA neither assumes responsibility for any omissions or errors nor assumes liability for any damages that result from the use of its products in accordance with information provided by OMEGA, either verbal or written. OMEGA warrants only that the parts manufactured by the company will be as specified and free of defects. OMEGA MAKES NO OTHER WARRANTIES OR REPRESENTATIONS OF ANY KIND WHATSOEVER, EXPRESSED OR IMPLIED, EXCEPT THAT OF TITLE, AND ALL IMPLIED WARRANTIES INCLUDING ANY WARRANTY OF MERCHANTABILITY AND FITNESS FOR A PARTICULAR PURPOSE ARE HEREBY DISCLAIMED. LIMITATION OF LIABILITY: The remedies of purchaser set forth herein are exclusive, and the total liability of OMEGA with respect to this order, whether based on contract, warranty, negligence, indemnification, strict liability or otherwise, shall not exceed the purchase price of the component upon which liability is based. In no event shall OMEGA be liable for consequential, incidental or special damages.

CONDITIONS: Equipment sold by OMEGA is not intended to be used, nor shall it be used: (1) as a "Basic Component" under 10 CFR 21 (NRC), used in or with any nuclear installation or activity; or (2) in medical applications or used on humans. Should any Product(s) be used in or with any nuclear installation or activity, medical application, used on humans, or misused in any way, OMEGA assumes no responsibility as set forth in our basic WARRANTY/DISCLAIMER language, and, additionally, purchaser will indemnify OMEGA and hold OMEGA harmless from any liability or damage whatsoever arising out of the use of the Product(s) in such a manner.

RETURN REQUESTS / INQUIRIES

Direct all warranty and repair requests/inquiries to the OMEGA Customer Service Department. **BEFORE RETURNING ANY PRODUCT(S) TO OMEGA, PURCHASER MUST OBTAIN AN AUTHORIZED RETURN (AR) NUMBER FROM OMEGA'S CUSTOMER SERVICE DEPARTMENT (IN ORDER TO AVOID PROCESSING DELAYS).** The assigned AR number should then be marked on the outside of the return package and on any correspondence.

The purchaser is responsible for shipping charges, freight, insurance and proper packaging to prevent breakage in transit.

FOR **WARRANTY RETURNS**, please have the following information available BEFORE contacting OMEGA:

1. Purchase Order number under which the product was PURCHASED,
2. Model and serial number of the product under warranty, and
3. Repair instructions and/or specific problems relative to the product.

FOR **NON-WARRANTY REPAIRS**, consult OMEGA for current repair charges. Have the following information available BEFORE contacting OMEGA:

1. Purchase Order number to cover the COST of the repair,
2. Model and serial number of the product, and
3. Repair instructions and/or specific problems relative to the product.

OMEGA's policy is to make running changes, not model changes, whenever an improvement is possible. This affords our customers the latest in technology and engineering. OMEGA is a trademark of OMEGA ENGINEERING, INC.

© Copyright 2018 OMEGA ENGINEERING, INC. All rights reserved. This document may not be copied, photocopied, reproduced, translated, or reduced to any electronic medium or machine-readable form, in whole or in part, without the prior written consent of OMEGA ENGINEERING, INC.