

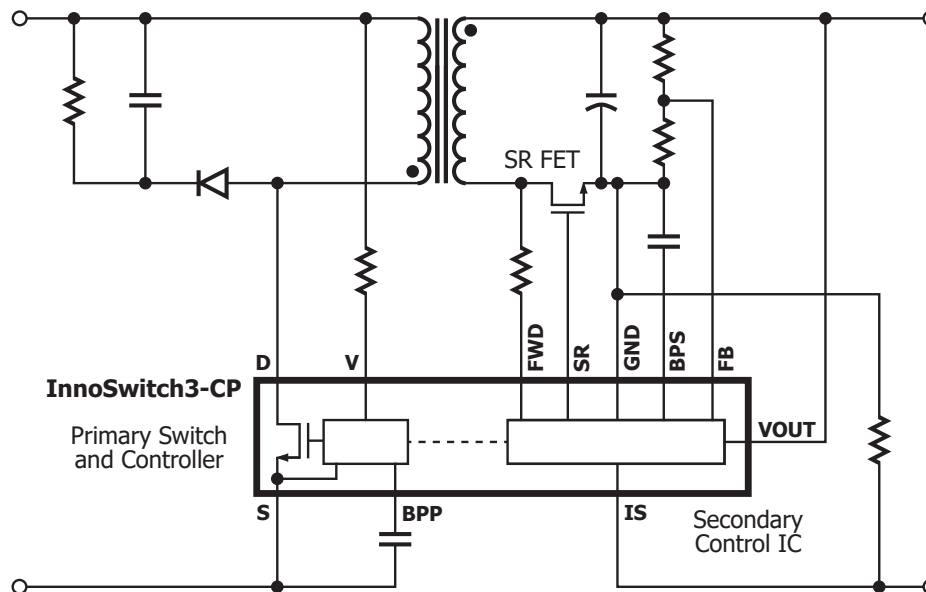
InnoSwitch™3-CP



Key Features

- Up to 94% flyback efficiency with constant power mode
- Delivers up to 100 W without heatsinks
- For dynamic output voltage requirements

Off-Line CV/CC QR Flyback Switcher IC with Integrated High-Voltage Primary Switch



PI-8322-090517

Applications

- High efficiency flyback designs up to 100 W
- USB PD / QC / proprietary protocol chargers

Output Power

Part Number	230 VAC ± 15%		85-265 VAC	
	Adapter (W)	Open Frame (W)	Adapter (W)	Open Frame (W)
INN3264C/3274C	20	25	15	20
INN3265C/3275C	25	30	22	25
INN3266C/3276C	35	40	27	36
INN3277C	40	45	36	40
INN3267C	45	50	40	45
INN3268C	55	65	50	55
INN3279C	80	85	65	75
INN3270C	90	100	75	85

Note: 650 V MOSFET (INN326x); 725 V MOSFET (INN327x); 750 V GaN Switch (INN3279C/INN3270C)



InSOP-24D Package

Design Support

- Data Sheet [InnoSwitch3-CP data sheet \(www.power.com/innoswitch3-cp-data-sheet\)](http://www.power.com/innoswitch3-cp-data-sheet)
- Application Note [InnoSwitch3 family design guide \(AN-72\) \(www.power.com/an-72\)](http://www.power.com/an-72)
- Design Idea [60 W USB PD Charger Using InnoSwitch3-CP and WT6615F Controller \(DER-601\) \(www.power.com/der-601\)](http://www.power.com/der-601)