

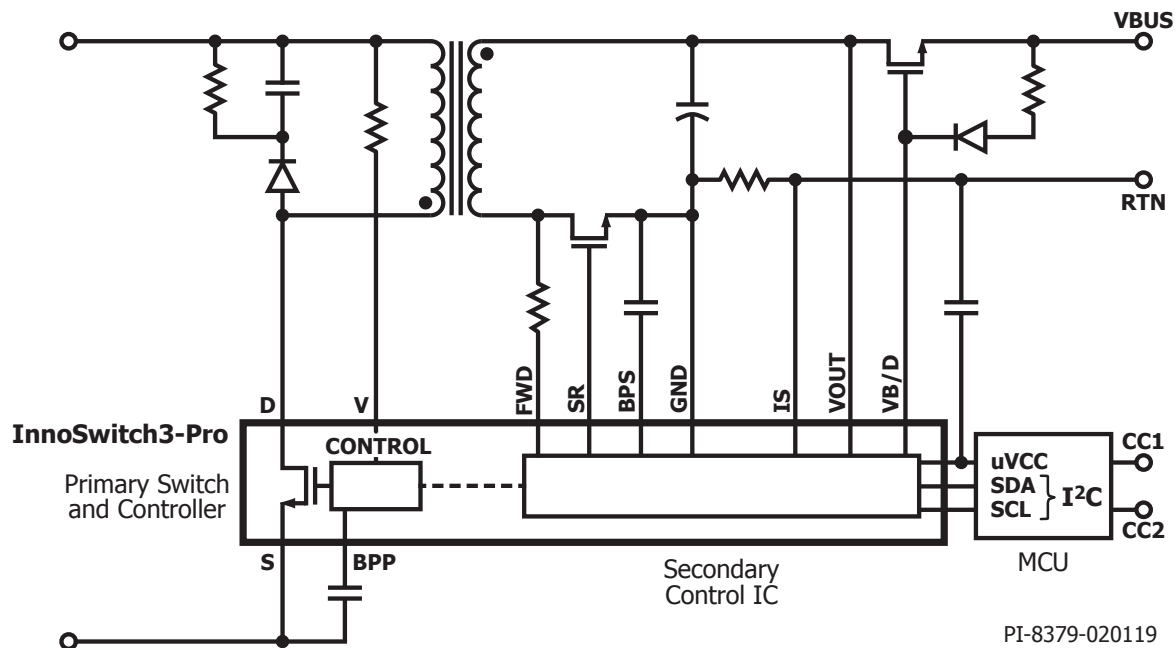
# InnoSwitch™3-Pro



## Key Features

- Dynamic voltage and current control
- Advanced flyback and SR controller
- Integrated FluxLink™ feedback
- Digitally controlled via I<sup>2</sup>C interface
- Comprehensive fault reporting

## Off-Line CV/CC/CP Quasi-Resonant Flyback Switcher IC



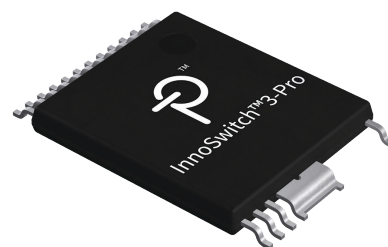
## Applications

- High efficiency USB PD 3.0 + PPS/QCA adapters
- Multi-chemistry tools and general-purpose battery chargers
- Multi-protocol adapters including QuickCharge™, AFC, FCP, SCP
- Adjustable CV and CC LED ballast designs
- Direct-charge mobile device chargers
- Configurable industrial power supplies

## Output Power

Part Number	230 VAC ±15%		85–265 VAC	
	Adapter (W)	Open Frame (W)	Adapter (W)	Open Frame (W)
INN3365C/3375C	25	30	22	25
INN3366C/3376C	35	40	27	36
INN3377C	40	45	36	40
INN3367C	45	50	40	45
INN3368C	55	65	50	55
INN3379C	80	85	65	75
INN3370C	90	100	75	85

Note: 650 V MOSFET (INN336xC); 725 V MOSFET (INN337xC); 750 V GaN Switch (INN3379C/ INN3370C)



InSOP-24D Package

## Design Support

- Data Sheet [InnoSwitch3-Pro data sheet \(www.power.com/innoswitch3-pro-data-sheet\)](http://www.power.com/innoswitch3-pro-data-sheet)
- Application Note [InnoSwitch3-Pro programming manual \(AN-74\) \(www.power.com/an-74\)](http://www.power.com/an-74)
- Design Example [100 W USB PD 3.0 with 3.3 V-21 V PPS Power Supply Using InnoSwitch3-Pro and VIA Labs VP302 Controller \(DER-805\) \(www.power.com/der-805\)](http://www.power.com/der-805)

[www.power.com](http://www.power.com)

