



Amphenol Advanced Sensors

Amphenol Thermometrics (UK) Ltd., Crown Industrial Estate,
Priorswood Road, Taunton, Somerset, TA2 8QY, UK
Tel +44 (0) 1823 335200 Fax +44 (0) 1823 332637

TEST SPECIFICATION	PART No. YS4020	ISSUE: B
CUSTOMER: Various	DATE: 9th May 2014	QUANTITY :
Customer P/N:	ORIGINATOR: M.J.Roberts	PAGE 1 OF 2

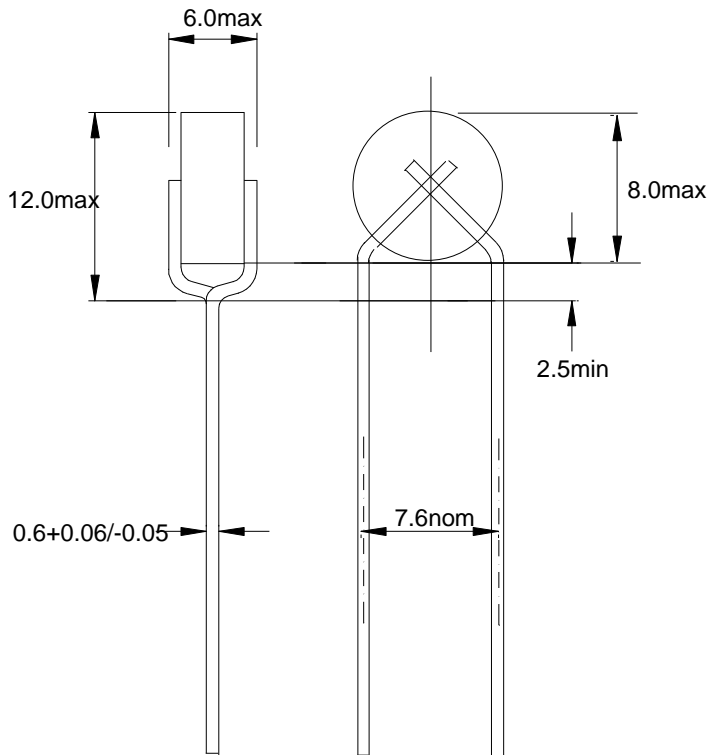
DESCRIPTION: PTC THERMISTOR INTENDED FOR USE AS A CURRENT LIMITING PROTECTION DEVICE

MECHANICAL SPECIFICATION

CONSTRUCTION: BARE CERAMIC DISC WITH UNINSULATED LEADWIRES
THICK FILM SILVER ELECTRODES

TERMINATIONS: TIN COATED COPPER WIRE

DIMENSIONS in mm NTS: SEE DRAWING BELOW



The copyright in this Specification/Drawing/Document is the property of Amphenol Thermometrics (UK) Ltd and the Specification/Drawing/Document is issued on the condition that it is not copied, reprinted, stored in an electronic retrieval system or reproduced, nor its contents disclosed either wholly or in part to any Third Party without either the consent in writing of or in accordance with the conditions of a contract with Amphenol Thermometrics (UK) Ltd. © AMPHENOL THERMOMETRICS (UK) LTD.

CHANGES SINCE LAST ISSUE: Δ Update to Amphenol							
Issue :	A	B					
Date :	26/02/10	9/05/14					

ELECTRICAL SPECIFICATION:

RESISTANCE AT 25 °C	:	1.1kΩ ± 20%	(1)
RESISTANCE, -20°C to +55°C	:	2.0kΩ max.	(1)
SWITCHING TEMPERATURE	:	80 ± 10°C	(2)
MAXIMUM VOLTAGE (V _{MAX})	:	1000Vrms	
MAXIMUM INRUSH CURRENT	:	0.6A rms approx	(3)
RESIDUAL CURRENT AT V _{MAX} (I _r)	:	2.0mA max.	(4)
AMBIENT TEMPERATURE RANGE			
at maximum voltage	:	-20 to +60°C	
storage	:	-25 to +125°C	

NOTES:

- (1) *Measuring current : 1mA max.*
- (2) *Resistance = 2 × Resistance minimum.*
- (3) *V = Vmax. R_{series} = 1.0kΩ.*
- (4) *Mounting for test: Device held in test clips, leadlength from disc head to clip: 10mm.
Measurement made in still air, T_{amb} = 25 °C.*

The copyright in this Specification/Drawing/Document is the property of Amphenol Thermometrics (UK) Ltd and the Specification/Drawing/Document is issued on the condition that it is not copied, reprinted, stored in an electronic retrieval system or reproduced, nor its contents disclosed either wholly or in part to any Third Party without either the consent in writing of or in accordance with the conditions of a contract with Amphenol Thermometrics (UK) Ltd. © AMPHENOL THERMOMETRICS (UK) LTD.