

**PLEASE CHECK WWW.MOLEX.COM FOR LATEST PART INFORMATION**

**Part Number:** [5050720101](#)  
**Status:** **Active**  
**Overview:** TermiMate One-Circuit Terminal-Style Connector System  
**Description:** TermiMate PCB Receptacle Terminal, 1.20mm Mated Height

**Documents:**

[3D Model](#) [Application Specification AS-505071-001-001 \(PDF\)](#)  
[Drawing \(PDF\)](#) [RoHS Certificate of Compliance \(PDF\)](#)  
[Product Specification PS-505071-001-001 \(PDF\)](#)

**Application tooling part link**

Application Tooling Part Link 63824-5810

**General**

Product Family PCB Receptacles  
Series [505072](#)  
Application Board-to-Board  
Overview [TermiMate One-Circuit Terminal-Style Connector System](#)  
Product Name TermiMate  
UPC 887191571027

**Physical**

Circuits (Loaded) 1  
Circuits (maximum) 1  
Durability (mating cycles max) 10  
Glow-Wire Capable No  
Guide to Mating Part No  
Keying to Mating Part None  
Lock to Mating Part Yes  
Mated Height 1.20mm  
Material - Metal Copper Alloy  
Material - Plating Mating Tin over Nickel  
Net Weight 83.000/mg  
Number of Rows 1  
Orientation Right Angle  
PCB Locator No  
PCB Retention None  
Packaging Type Embossed Tape on Reel  
Pitch - Mating Interface N/A  
Plating min - Mating 0.406µm  
Polarized to Mating Part Yes  
Polarized to PCB No  
Surface Mount Compatible (SMC) Yes  
Temperature Range - Operating -55° to +105°C  
Termination Interface: Style Surface Mount

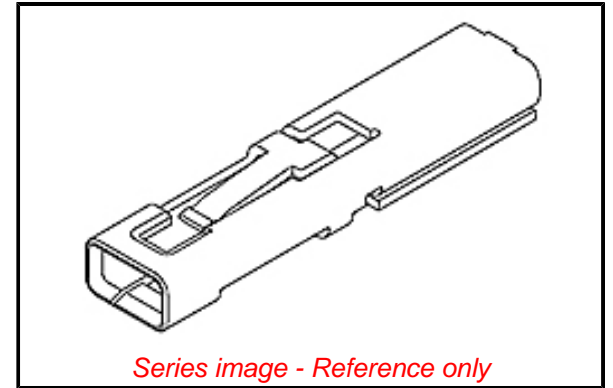
**Electrical**

Current - Maximum per Contact 3.0A  
Voltage - Maximum 125V AC (RMS)/DC

**Material Info**

**Reference - Drawing Numbers**

Application Specification AS-505071-001-001  
Product Specification PS-505071-001-001  
Sales Drawing SD-505072-001, SD-505072-002



*Series image - Reference only*

**EU ELV**

**Not Relevant**

**EU RoHS**

**Compliant**

**REACH SVHC**

Not Contained Per -  
ED/71/2019 (16 July  
2019)

**Halogen-Free**

**Status**

**Low-Halogen**

For more information, please visit [Contact US](#)

China ROHS

ELV

RoHS Phthalates

**China RoHS**

Green Image

Not Relevant

Not Contained

**Search Parts in this Series**

[505072 Series](#)

**Mates With**

[TermiMate PCB Plug Terminal 505071-0101](#)

**Application Tooling | FAQ**

*Tooling specifications and manuals are found by selecting the products below. Crimp Height Specifications are then contained in the Application Tooling Specification document.*

**Global**

**Description**

**Product #**

Unlatching Tool for TermiMate 505071 Plug Terminal for removal of TermiMate 505072 PCB Receptacle Terminal	<a href="#">638245810</a>
--	---------------------------

This document was generated on 09/15/2019

**PLEASE CHECK [WWW.MOLEX.COM](http://WWW.MOLEX.COM) FOR LATEST PART INFORMATION**