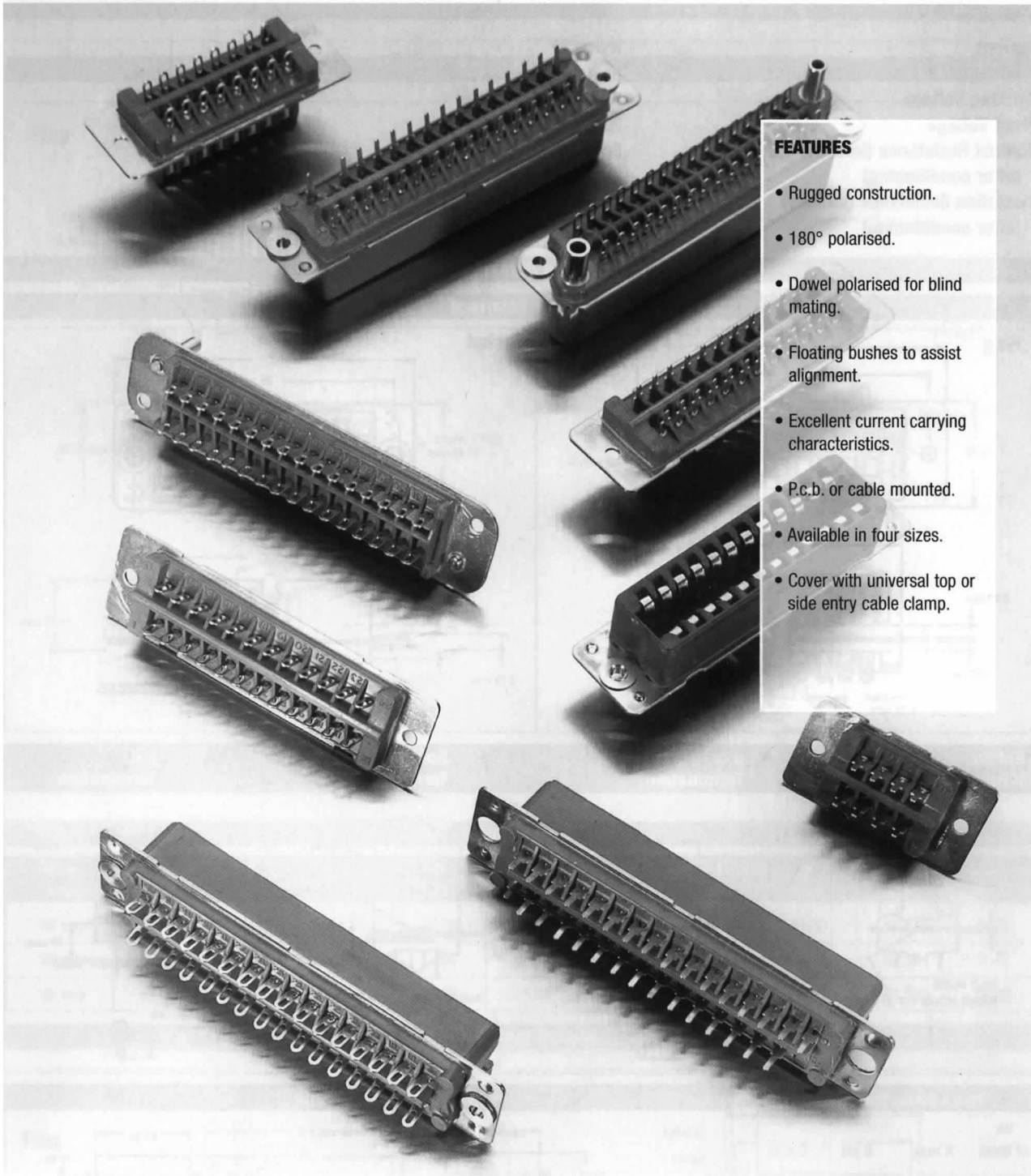


RED RANGE

Industrial Rack and Panel Connectors



FEATURES

- Rugged construction.
- 180° polarised.
- Dowel polarised for blind mating.
- Floating bushes to assist alignment.
- Excellent current carrying characteristics.
- P.c.b. or cable mounted.
- Available in four sizes.
- Cover with universal top or side entry cable clamp.

ITW McMurdo Connectors
Norway Road, Hilsea
Portsmouth
PO3 5HT
England
Tel: +44 (0)23 9269 4971
Fax: +44 (0)23 9265 3356

TECHNICAL DATA

Materials

| | |
|--------------------------|--|
| Insulator | Nylon PF or Diallyl-phthalate (D.A.P.) |
| Contact | Copper alloy plated hard acid gold |
| Mounting plates | Stainless Steel |
| Latching screws & bushes | Mild steel bright nickel plate |
| Dowels | Brass nickel plate |
| Covers | Aluminium alloy |

Mechanical

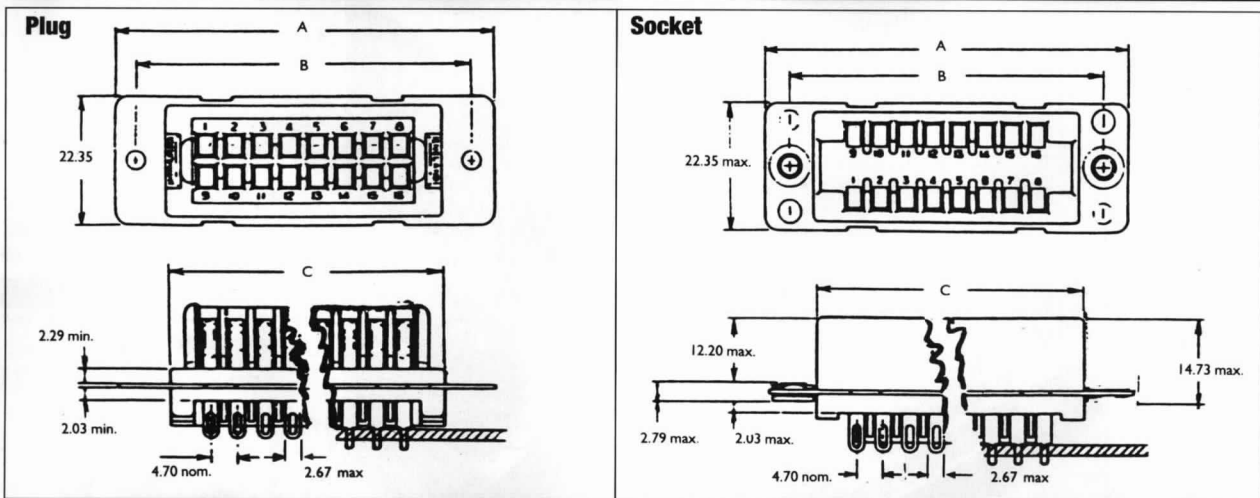
| | | |
|--|------------------------|------------------------|
| | Nylon PF | D.A.P. |
| Mechanical operations | 500 | 500 |
| Insertion and withdrawal forces (contact pair) | 2.3N max. /0.8 min. | 2.3N max. /0.8 min. |
| Climatic category | 40/100/21 | 55/125/56 |

Electrical

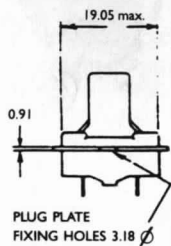
| | | |
|-----------------------------------|-------------------------|-------------------------|
| Current | Nylon PF | D.A.P. |
| All contacts simultaneously | at 80°C Tamb. 5A max. | at 100°C Tamb. 5A max. |
| Working Voltage | 800Vd.c. or a.c. peak | 800Vd.c. or a.c. peak |
| Proof Voltage | 3.5k Vd.c. or a.c. peak | 3.5kVd.c. or a.c. peak |
| Contact Resistance (initially) | 5mΩ max. | 5mΩ max. |
| (after conditioning) | 10mΩ max. | 10mΩ max. |
| Insulation Resistance (initially) | 10 ⁹ MΩ min. | 10 ⁷ MΩ min. |
| (after conditioning) | 10 ⁴ MΩ min. | 10 ⁶ MΩ min. |

Outline Dimensions

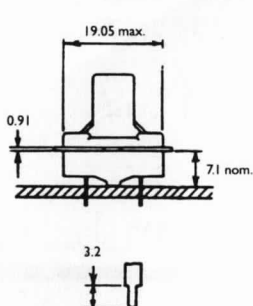
Barrier Polarised



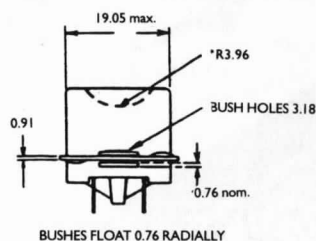
Solder Termination



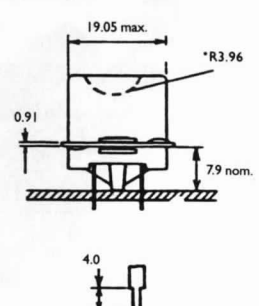
p.c. Termination



Solder Termination



p.c. Termination



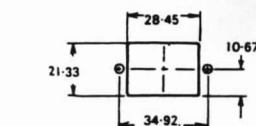
* NOTE: ENDS ARE RELIEVED ON 32 WAY SOCKETS ONLY

Plug & Socket Dimensions

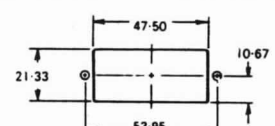
| No. of Ways | A max | B crs | C max |
|-------------|--------|-------|-------|
| 8 | 43.94 | 34.92 | 26.42 |
| 16 | 62.99 | 53.97 | 45.47 |
| 24 | 82.04 | 73.02 | 64.52 |
| 32 | 101.09 | 92.07 | 83.57 |

Mounting Details

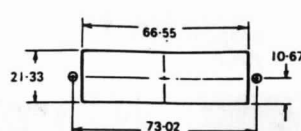
8 WAY



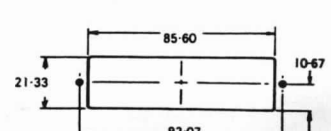
16 WAY



24 WAY

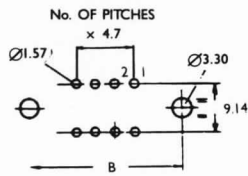


32 WAY

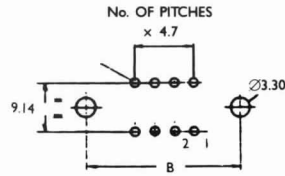


P.C.B. Layout

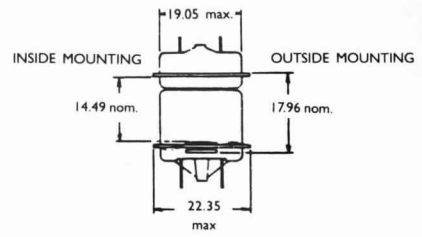
View from rear of plug



View from rear of sockets

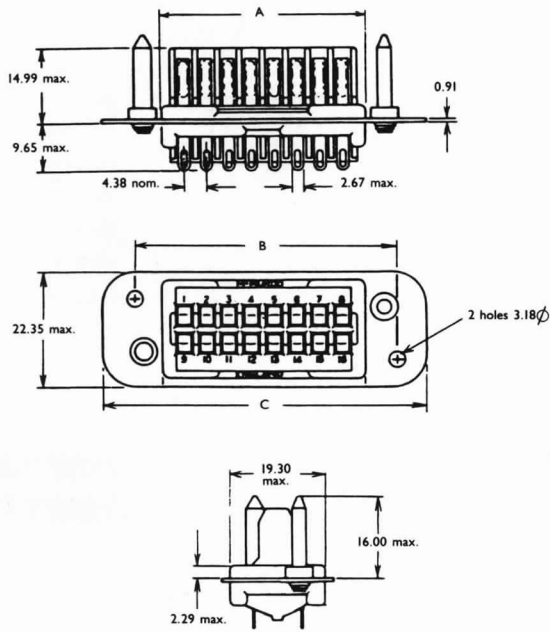


Barrier polarised plug and socket mated

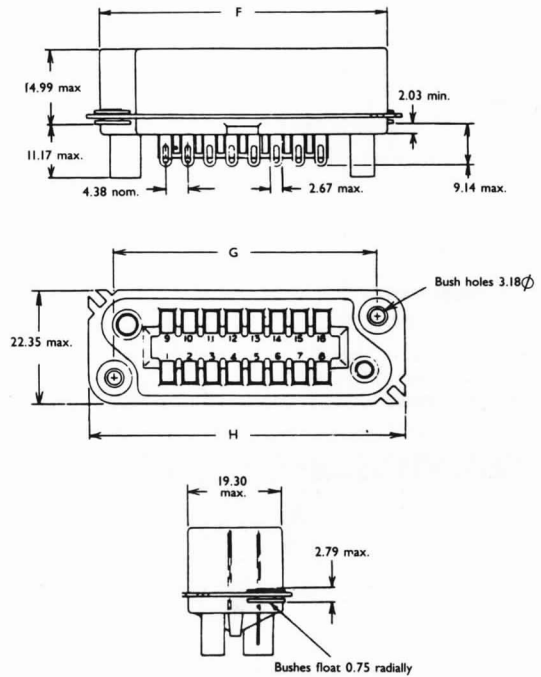


Dowel Polarised

Plug



Socket



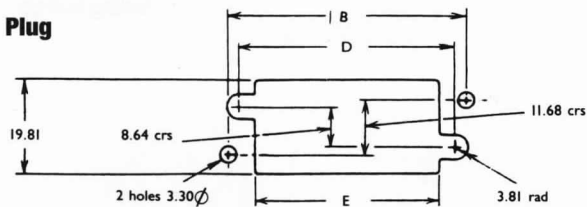
Dimensions

| No. of ways | A max. | B crs. | C max. | D crs. | E nom. | F max. | G crs. | H max. | I crs. | J nom. |
|-------------|--------|--------|--------|--------|--------|--------|--------|--------|--------|--------|
| 16 way | 39.65 | 51.41 | 62.15 | 46.79 | 40.64 | 57.90 | 51.61 | 61.98 | 46.81 | 44.70 |
| 24 way | 57.02 | 68.68 | 79.45 | 64.06 | 57.91 | 74.17 | 68.48 | 79.32 | 63.58 | 61.72 |
| 32 way | 74.50 | 85.95 | 96.77 | 81.33 | 75.54 | 91.95 | 85.95 | 96.65 | 81.33 | 79.48 |

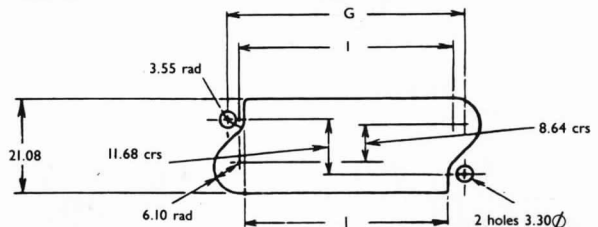
Mounting Details

From wiring side

Plug



Socket

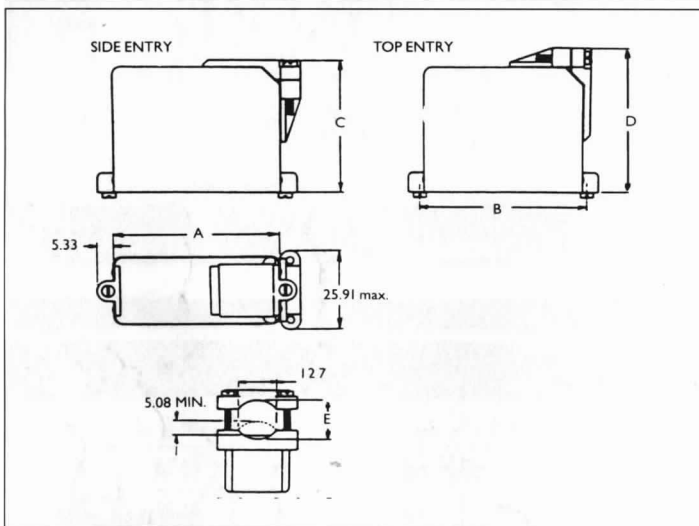


ORDERING INFORMATION

| Description | | | Order Code | | | |
|----------------------|--------------------|--|-------------------|-------------------|--------|----------|
| Style | Gender | No of Ways | Moulding Material | | | |
| | | | Nylon PF | Diallyl-Phthalate | | |
| Barrier Polarised | Plug | 8 | RP8 | DRP108 | | |
| | | 16 | RP16 | DRP116 | | |
| | | 24 | RP24 | DRP124 | | |
| | | 32 | RP32 | DRP132 | | |
| | Socket | 8 | RS8* | DRS108* | | |
| | | 16 | RS16* | DRS116* | | |
| | | 24 | RS24* | DRS124* | | |
| | | 32 | RS32* | DRS132* | | |
| | | Barrier Polarised P.C.B. Tail | Plug | 8 | RP8-T | DRP108-T |
| | | | | 16 | RP16-T | DRP116-T |
| 24 | RP24-T | | | DRP124-T | | |
| 32 | RP32-T | | | DRP132-T | | |
| Socket | 8 | | RS8P-T | DRS108P-T | | |
| | 16 | | RS16P-T | DRS116P-T | | |
| | 24 | | RS24P-T | DRS124P-T | | |
| | 32 | | RS32P-T | DRS132P-T | | |
| | Dowel Polarised | | Plug | 16 | RPD16 | DRPD116 |
| | | | | 24 | - | DRPD124 |
| 32 | | - | | DRPD132 | | |
| Socket | | 16 | RSD16 | DRSD116 | | |
| | | 24 | - | DRSD124 | | |
| | | 32 | - | DRSD132 | | |

*Sockets are normally supplied with floating bushes to assist alignment when mounted on racks and chassis. For sockets without floating bushes – add **P** to end of order code e.g. Order code RS24P.

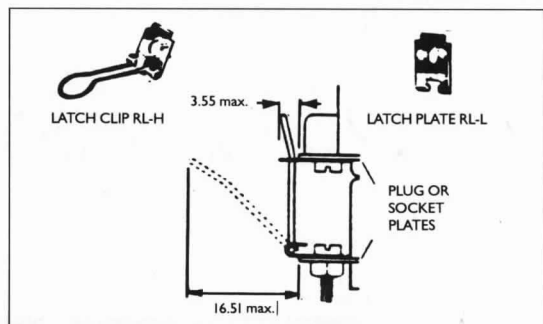
Accessories



| Contact Arrangement | A max. | B crs. | C max. | D max. | E max. |
|---------------------|--------|--------|--------|--------|--------|
| 8 | 32.51 | 34.92 | 36.83 | 40.89 | 9.40 |
| 16 | 51.56 | 53.97 | 43.18 | 47.24 | 12.70 |
| 24 | 70.61 | 73.02 | 43.18 | 47.24 | 15.74 |
| 32 | 89.66 | 92.07 | 43.18 | 47.24 | 15.74 |

Cover Ordering Information

| Size | Order Code | Size | Order Code |
|------|------------|------|------------|
| 8 | RC108 | 24 | RC124 |
| 16 | RC116 | 32 | RC132 |



COVER with LATCHING CLIPS

Latching clips are supplied separately, 2 off each per assembly. When the latching clips are fitted to sockets it is advisable to use sockets without the floating bushes - add **P** to end of order code.

ITW McMurdo Connectors
Norway Road, Hilsa
Portsmouth
PO3 5HT
England
Tel: +44 (0)23 9269 4971
Fax: +44 (0)23 9265 3356