



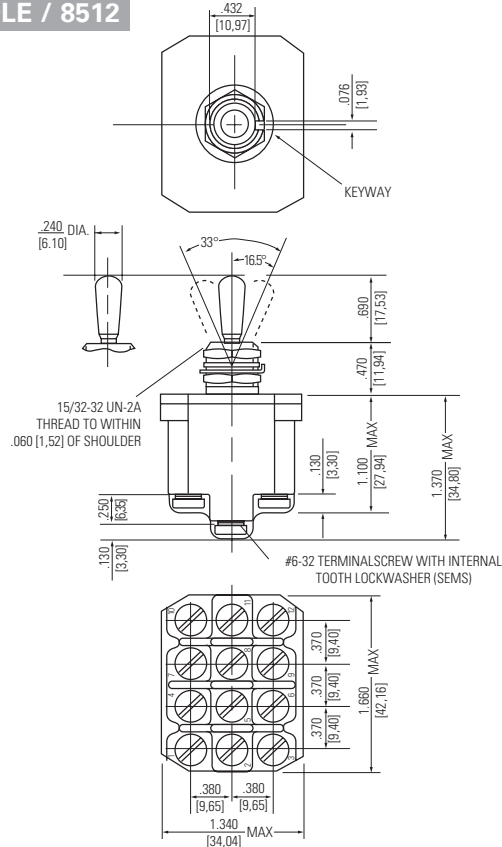


# INDUSTRIAL - ENVIRONMENTALLY SEALED SWITCHES

Series - 8510, 8511, 8512

Environmentally Sealed Toggle Switches

## MOUNTING DIMENSIONS - FOUR POLE / 8512



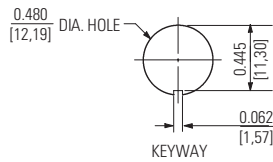
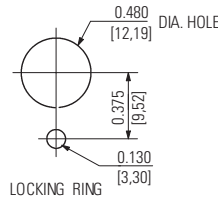
### Terminal Identification

## OPTIONS/ACCESSORIES

- Special mounting hardware
- Mounting hardware furnished assembled
- Terminal screws furnished assembled
- Special toggle levers
- Special circuits
- Panel seal, Part Number 32-341
- Spade terminal adapters available

## PANEL CUTOUT DIMENSIONS

### 15/32 DIA. BUSHING



### STANDARD

0.00 = inches

[0,0] = mm

Mounting dimensions for reference only.

Non-functional terminals not supplied.