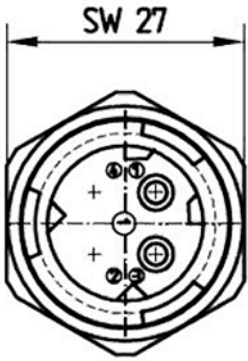
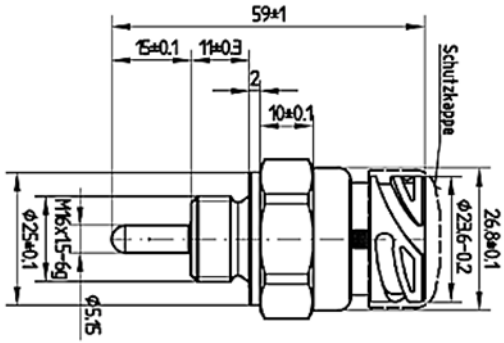


Temperature sensor

94121



Connector 		Dimensions 	
Media	Liquid media e.g. water, oil, fuel	Thread	M16 x 1.5
Nominal resistance NTC	2,050 Ω (25 °C), 186 Ω (100 °C) *	Connector	DIN Bajonett (DIN 72585)
Nominal resistance PTC	1000 Ω (0°C)	Protection range	IP 6K6K / 6K7 / 6K8 / 6K9K
Temperature range	- 40 °C to + 155 °C	Order number	9412100900
Time of response	T90 < 15 s (water)		