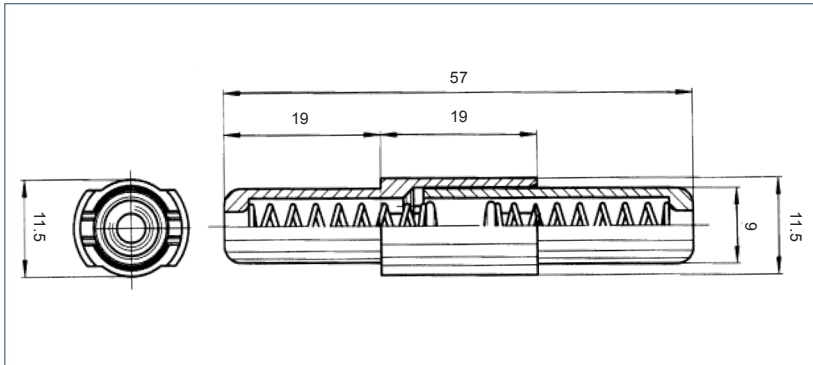
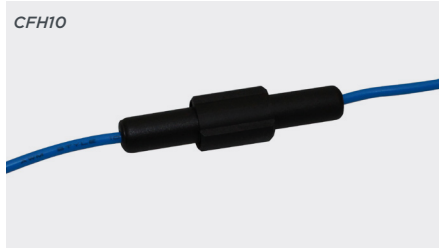


Multi-size inline fuseholder

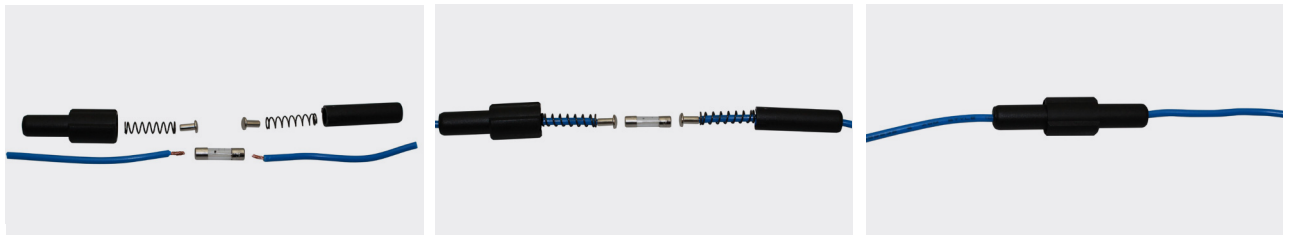
Product overview

- Inline type fuseholder
- Accepts 5x20mm, 6.3x32mm and 6.3x25mm fuses
- Allows customer choice of wire
- Bayonet type cover
- CE approved



SPECIFICATION	
Rating	6.3A/250V
Contacts	Tinned nickel plated brass
Moulding	UL94-HB PA6
Dielectric strength	1.5kV
Operating power	1.6W
Insulation resistance	>100MΩ
Operating temperature	-30°C to +85°C

PART NO.	FUSE SIZE
CFH10	6.3x25mm 6.3x32mm 5x20mm



KEY FEATURES

Internal solder cup | Multi-size bayonete type holder | Compact size

ASSOCIATED PRODUCTS

CFB0520F	- Glass 5x20mm quick blow fuses	page 228
CFB0520T	- Glass 5x20mm time delay fuses	page 228
CFB0521CF	- Ceramic 5x20mm quick blow fuses	page 229
CFB0521CT	- Ceramic 5x20mm time delay fuses	page 229
CFB06325FG	- Glass 6.3x25mm quick blow fuses	page 230
CFB06325TG	- Glass 6.3x25mm time delay fuses	page 230
CFB06332F	- Glass 6.3x32mm quick blow fuses	page 231
CFB06332T	- Glass 6.3x32mm time delay fuses	page 231
CFB06333CF	- Ceramic 6.3x32mm quick blow fuses	page 232
CFB06333CT	- Ceramic 6.3x32mm time delay fuses	page 232