

# 3mm Round Type Infrared LED **multicomp** PRO



## Description

THE LIR034 is high intensity gallium arsenide infrared emitting diodes encapsulated in blue transparent or water clear plastic package in T-1 or T-13/4 individually.

## Features

- Hi-Radiant intensity
- Low-Average degradation
- Dice Material : GaAlAs /GaAs
- Emitted Colour : Invisible
- Lens Colour : Blue Transparent

## Application

- Remote Control
- Smoke Detector
- Photo Detector
- Burglar Alarm
- Computer I/O Peripheral
- Automatic Control System
- Industrial Use

## Electrical Characteristics

Parameter	Symbol	Min	Typ	Max	Unit	Test
Aperture Radiant incidence	Ee	0.2	0.35	-	mW/cm <sup>2</sup>	If=20mA
Radiant intensity	Ie	8	10	-	mW/sr	If=20mA
Peak Emission Wavelength	$\lambda_p$	-	940	-	nm	If=20mA
Forward Voltage	VF	-	1.2	1.6	v	If=20mA
Spectral Line Half-Width	$\Delta\lambda$	-	50	-	nm	If=20mA
Reverse Current	IR	-	0	100	uA	VR=5V
Viewing Angle	2 $\Theta$ 1/2	-	36	-	Degree	
Rise Time	TR	-	-	600	nS	-
Fall Time	TF	-	-	600	nS	-

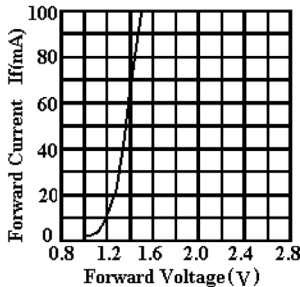
## Absolute Maximum Rating

Parameter	Max. Rating	Unit
Power Dissipation	100	mW
Peak Forward Current(Pulse width = 10us 1% duty cycle)	1	A
Continuous Forward Current	50	mA
Reverse Voltage	5	V
Operating Temperature Range	-40°C to +85°C	
Storage Temperature Range	-40°C to +100°C	
Lead Soldering Temperature (1/16 inch from Body for 5sec)	260°C	

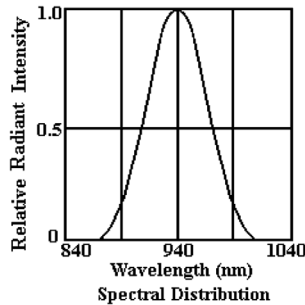
# 3mm Round Type Infrared LED **multicomp**PRO

## Typical Electro-Optical Characteristics Curves

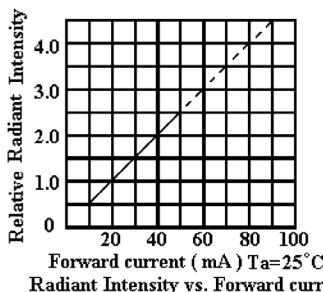
Infrared (GaAs  $\lambda_P=940\text{nm}$ )



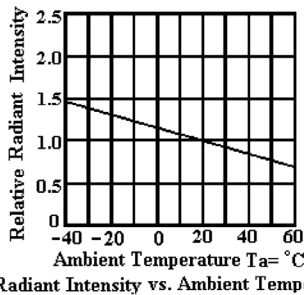
Forward current vs. Forward Voltage



Spectral Distribution

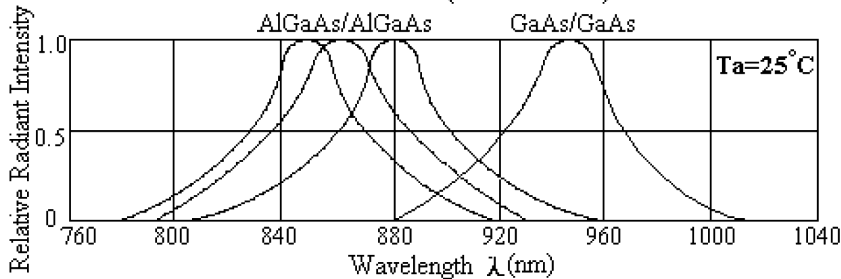


Radiant Intensity vs. Forward current

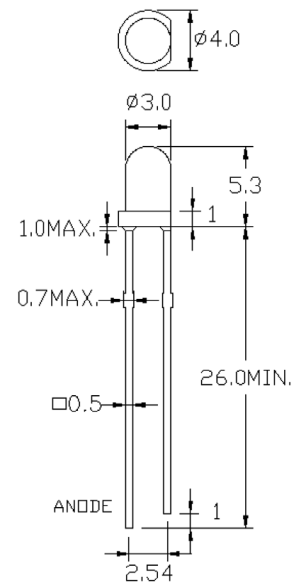


Radiant Intensity vs. Ambient Temperature

LED Infrared (None-Visible)



Relative Intensity Vs. Wavelength



Dimensions : Millimetres  
Tolerance :  $\pm 0.25\text{mm}$

## Part Number Table

Description	Part Number
3mm Round Type Infrared, Blue LED	LIR034

**Important Notice :** This data sheet and its contents (the "Information") belong to the members of the AVNET group of companies (the "Group") or are licensed to it. No licence is granted for the use of it other than for information purposes in connection with the products to which it relates. No licence of any intellectual property rights is granted. The Information is subject to change without notice and replaces all data sheets previously supplied. The Information supplied is believed to be accurate but the Group assumes no responsibility for its accuracy or completeness, any error in or omission from it or for any use made of it. Users of this data sheet should check for themselves the Information and the suitability of the products for their purpose and not make any assumptions based on information included or omitted. Liability for loss or damage resulting from any reliance on the Information or use of it (including liability resulting from negligence or where the Group was aware of the possibility of such loss or damage arising) is excluded. This will not operate to limit or restrict the Group's liability for death or personal injury resulting from its negligence. Multicomp Pro is the registered trademark of Premier Farnell Limited 2019.