

AB-PB-1004 MOMENTARY PUSH BUTTON SWITCH

SWITCHES

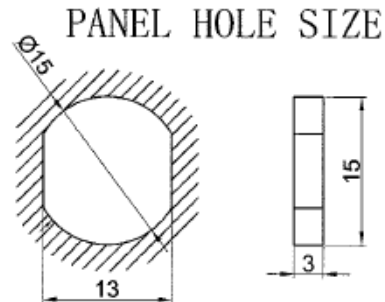
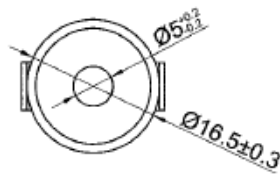
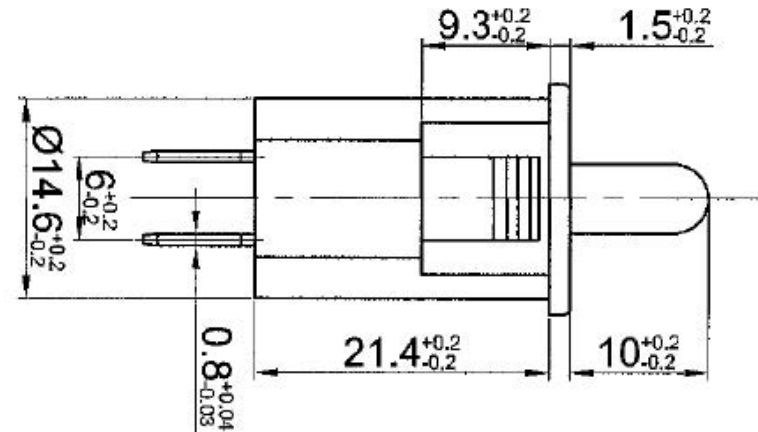
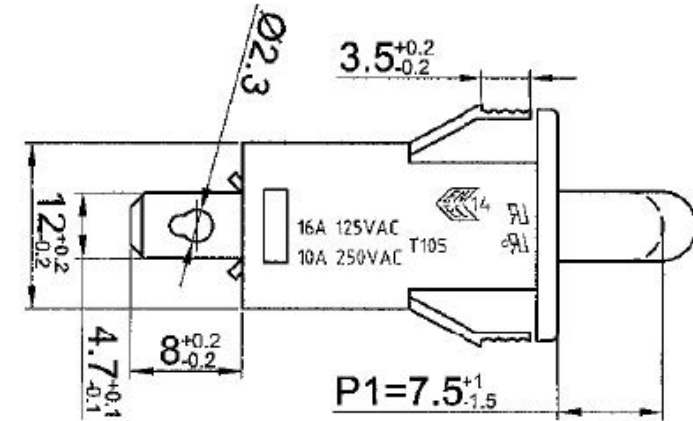
Specifications

AB-PB-1004

Rating	16A 125VAC T105 / 10 250VAC
Colour	Black
Switch Action	(ON)-OFF SPST momentary
Operating Force	250+- 50gf
Contact Resistance	≤30MΩ
Electrical Life	100,000 cycles at full load
Withstand Voltage	AC 1500V 1 minute
Insulation Resistance	≥100MΩ (at 500VDC)
Temperature Range	-25 - 125°C

Features

- ROHS compliant
- Housing & button material: Nylon 66 94V-2
- Terminal material: Copper, alloy Ag plated
- Contact material: AgSnO₂In₂O₃(10)/Cu



ALAN BUTCHER COMPONENTS LTD

Alan Butcher Components Ltd

Unit 1 Beechwood Clump Farm Industrial Estate Tin Pot Lane Blandford Dorset DT11 7TD

Telephone 01258 456360 Facsimile 01258 459194 Email sales@abcomponents.co.uk

www.abcomponents.co.uk