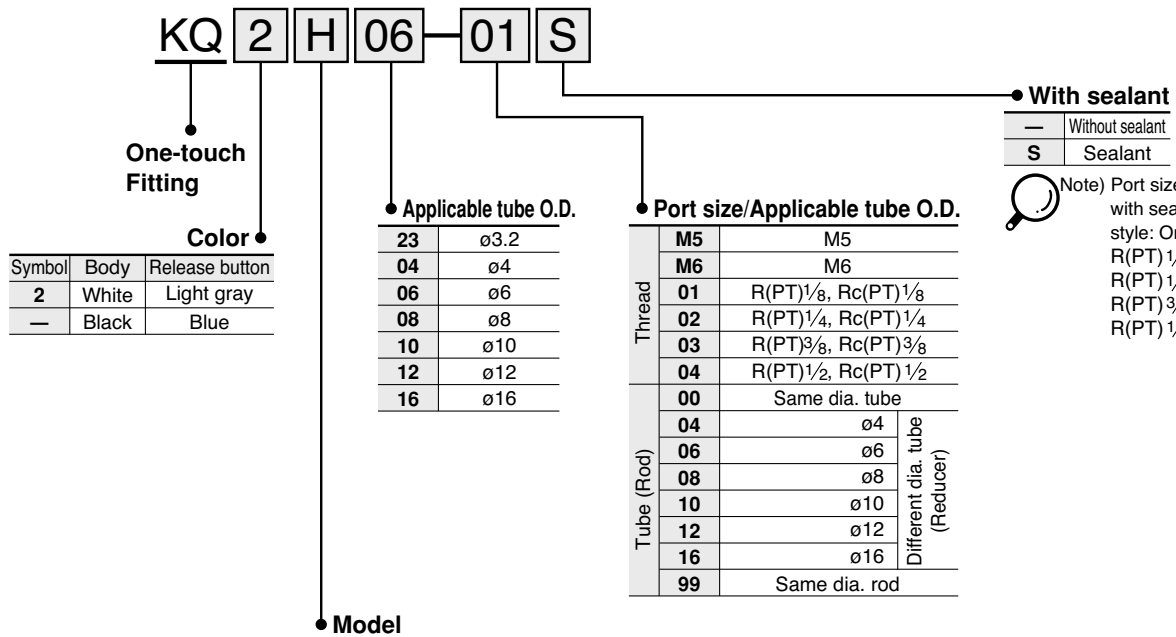


One-touch Fittings

Applicable Tube – Metric Size Connection Thread – M, R(PT), Rc(PT)

Series KQ2

How to Order



Model

H	Male connector	T	Male branch tee
	Straight union		Union tee
	Different dia. straight		Different dia. tee*
S	Hexagon socket head male connector	TW	Cross*
F	Female connector	TX	Different dia. cross*
	Male elbow	TY	Different dia. cross*
L	Union elbow	Y	Male run tee
	Plug-in elbow	D	Male delta
	Reducer elbow		Delta union
LU	Male branch connector	U	Branch "Y"
	Branch union elbow		Union "Y"
K	45° male elbow		Different dia. union "Y"
V	Universal male elbow	Plug-in "Y"	
VS	Hex. socket head universal male elbow	UD	Delta branch
VF	Universal female elbow	XD	Different dia. double union "Y"
LF	Female elbow	X	Double plug-in "Y"
VD	Double universal male elbow	R	Different dia. plug-in "Y"
VT	Triple universal male elbow	E	Plug-in reducer
Z	Branch universal male elbow	LE	Bulkhead union
ZF	Branch universal female elbow		Bulkhead connector
ZD	Double branch universal male elbow		Bulkhead male elbow
ZT	Triple branch universal male elbow		
W	Extended plug-in elbow		
	Extended male elbow		

* Applicable to KQ2 (white body) only.

Note) KQT06-04, KQT08-06, KQT10-08, and KQT12-10 are available as made to order.

Accessory	
—	Name
	Nipple
KQ2N	Different dia. nipple
	Adapter
KQ2C	Tube cap
KQ2C	Color cap
KQ2P	Plug (White)
KQP	Plug (Blue)

Series KQ2

Series KQ2: White body
Series KQ : Black body

Guide

Collet

Chuck

Accepts nylon, and urethane tubes.
Has large retaining force.

Packing

Can be used for a wide range of pressures from a low vacuum up to a pressure of 1.0MPa

The use of a special profile ensures sealing and reduces resistance when the tube is inserted.

Thread

M, R(PT), Rc(PT)

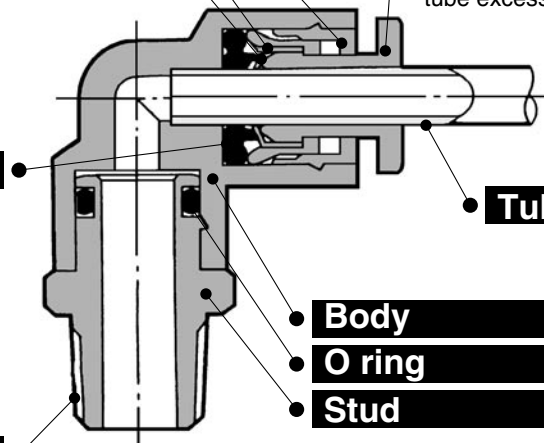
Release button

Series KQ2: Light gray

Series KQ : Blue

Small disconnecting force.

When the fitting is removed from the tubing, the chuck and collet are released, thus preventing them from biting into the tube excessively.



Tube

Body

O ring

Stud

Effective when piping in a confined space.

The body and threaded portion can turn independently.

PAT.

One-touchIN/OUTconnection.
Possible to use in vacuum to -100KPa.

●Applications for metric size tube

●Applicable tube material

Nylon, soft nylon, polyurethane



Applicable Tubing

Tube material	Nylon, Soft nylon, Polyurethane
Tube O. D.	ø3.2, ø4, ø6, ø8, ø10, ø12, ø16

Colour

Series	Body	Release button
Series KQ2	White	Light gray
Series KQ	Black	Blue

Specifications

Operating fluid		Air, Water (1)
Max. operating pressure		1.0MPa
Operating vacuum pressure		-100kPa
Proof pressure		3.0MPa
Ambient and fluid temperature		-5 to 60°C (Water: 0 to 40°C)
Thread	Thread portion	JIS B0203 (Taper pipe thread) JIS B0209 Class 2 (Metric coarse thread)
	Nut	JIS B0211 Class 2 (Metric fine thread)
	Sealant (Thread portion)	With sealant or none






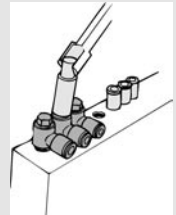

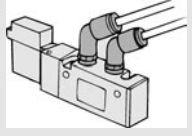


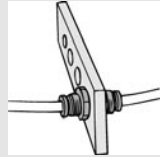

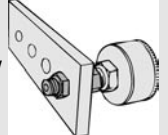











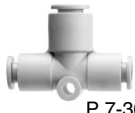



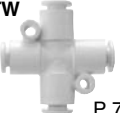
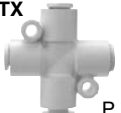
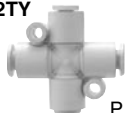
Note1) Applicable for general industry water.
Consult SMC if using for other fluids.
Surge pressure must be under the max. operating pressure.

Component Materials

Body	C3604BD, PBT, PP
Stud	C3604BD (Thread portion)
Chuck	Stainless steel (SUS304)
Guide	SUS304, C3604BD, Polyacetal (POM)
Collet, Release button	Polyacetal (POM)
Packing, O ring	NBR
Gasket	SUS304, NBR



P.7-37

Model		
<p>Hex. socket head male connector KQ2S P.7-21</p>  <p>Internal hex. allows thread connection by using an Allen wrench for confined spaces.</p> 	<p>Universal male elbow KQ2V P.7-24</p>  <p>Universal male elbow allows thread connection by using a socket wrench for confined spaces.</p> 	
<p>45° male elbow KQ2K P.7-23</p>  <p>Used in applications where a 45° elbow or male connector stresses the tubing.</p> 	<p>Extended male elbow KQ2W P.7-29</p>  <p>For when the elbow extends over a standard elbow for easier of connection/disconnection of tubing.</p> 	
<p>Bulkhead union KQ2E P.7-35</p>  <p>Used for junction connection of two tubes for installation of a panel.</p> 	<p>Bulkhead connector KQ2E P.7-35</p>  <p>Used for transit connection of a tube and a male screw for installation of a panel.</p> 	
<p>Nipple KQ2N P.7-36</p>  <p>Used for connection of two One-touch fittings.</p> 	<p>Reducer nipple KQ2N P.7-36</p>  <p>Used for connection of two One-touch fittings that are different tube O.D.s.</p> 	
<p>Male connector KQ2H P.7-21</p>  <p>Used to pipe in the same direction from female threaded portion. Most common style.</p>	<p>Male elbow KQ2L P.7-22</p>  <p>Used to pipe in right angle to female threaded portion. Most common style.</p>	<p>Male branch tee KQ2T P.7-29</p>  <p>Used to branch line from female thread in both 90° directions.</p>
<p>Female connector KQ2F P.7-21</p>  <p>Used to pipe from the male threaded portion such as pressure gauge.</p>	<p>Union elbow KQ2L P.7-27</p>  <p>Used to connect tubes at right angles.</p>	<p>Union tee KQ2T P.7-30</p>  <p>Used to connect tubes in both 90° directions.</p>
<p>Straight union KQ2H P.7-22</p>  <p>Used to connect tubes in the same direction.</p>	<p>Plug-in elbow KQ2L P.7-28</p>  <p>Used to change by 90° in a tube fetching direction from One-touch fittings.</p>	<p>Different dia. tee KQ2T P.7-30</p>  <p>Used to connect tubes with size down in both 90° directions.</p>
<p>Different dia. straight KQ2H P.7-22</p>  <p>Used to connect different size tubes.</p>	<p>Reducer elbow KQ2L P.7-28</p>  <p>Used to change by 90° in tube fetching direction from One-touch fittings and to size down.</p>	<p>Different dia. tee KQ2T P.7-30</p>  <p>Used to branch from in the same direction from thread and in 90° directions.</p>
<p>Cross KQ2TW P.7-30</p>  <p>Used for four branch connections of tubes.</p>	<p>Different dia. cross KQ2TX P.7-30</p>  <p>Used to connect tubes with size down in all 90° directions.</p>	<p>Different dia. cross KQ2TY P.7-31</p>  <p>Used to branch connection of tubes with size down in three directions.</p>

Series KQ2

Hex. socket head universal male elbow

KQ2VS P.7-24



Hex. on the top allows thread connection by using an Allen wrench for confined spaces.

Male branch connector

KQ2LU P.7-23



Used for connection at right angles from the female thread.

Universal female elbow

KQ2VF P.7-25



Used for the same direction or at right angles from the male or female thread. Multiplex connections possible.

Female elbow

KQ2LF P.7-25



Used to pipe the tube at right angles from the male elbow.

Double universal male elbow

KQ2VD P.7-25



Used for branch piping at right angles from the female thread. Two individual parts rotate 360°.

Triple universal male elbow

KQ2VT P.7-26



Used for branch piping at the right angles from the female thread. Three individual parts rotate 360°.

Branch universal male elbow

KQ2Z P.7-26



Hexagonal head allows thread connection by using a box wrench. Used for branch connection.

Branch universal female elbow

KQ2ZF P.7-26



Used for branch line in the same direction or at right angles from the male or female thread. Multiplex connection possible.

Double branch universal male elbow

KQ2ZD P.7-27



Used for four branch connections at right angles from the female thread. Two individual parts rotate 360°.

Male run tee

KQ2Y P.7-31



Used for a branch line in the same direction from female thread and in 90° directions.

Triple branch universal male elbow

KQ2ZT P.7-27



Used for six branches at right angles from the female thread. Three individual parts rotate 360°.

Branch union elbow

KQ2LU P.7-28



Used for connection of tubes at right angles.

Extended plug-in elbow

KQ2W



P.7-28

When the elbow extends over a standard elbow for ease of connection/disconnection of tubing.

Male delta union

KQ2D P.7-32



Used for two branch piping at right angles from the female thread.

Delta union

KQ2D P.7-32



Used for three branch connections of tubes at right angles.

Delta branch

KQ2UD P.7-33



Used for four branch piping in the same direction from the female thread.

Different dia. double union "Y"

KQ2UD P.7-33



Used for four branch connections in the same direction reducing the size of the tubes.

Different dia. plug-in "Y"

KQ2X P.7-34



Used for branch connections from the fitting reducing the size of tubes.

Double plug-in "Y"

KQ2XD P.7-34



Used for four branch connections from the fitting reducing the size of tube.

Union "Y"

KQ2U P.7-33



Used to connect tubes in the same direction.

Different dia. union "Y"

KQ2U P.7-33



Used to connect tubes with size down in the same direction.

Plug-in "Y"

KQ2U P.7-34



Used to branch tubing in the same direction from One-touch fittings.

Branch "Y"

KQ2U P.7-32



Used to branch line in the same direction from female thread.

Plug-in reducer

KQ2R P.7-35



Used to change size of One-touch fittings.

Bulkhead male elbow

KQ2LE P.7-35



Used to connect two tubes through a panel changing by 90° in a tube fetching direction.

Adaptor

KQ2N P.7-36



Used to connect the fitting and R (PT) female thread.

Tube cap

KQ2C P.7-36



Used to plug the unused tube.

Colour cap

KQ2C P.7-36



Mounted on the release button corresponding to its applications. Distinguished by colour.

Plug

KQ2P, KQP P.7-36



Used to shut unused One-touch fittings. KQP (Blue) KQ2P (White)

Male connector: KQ2H

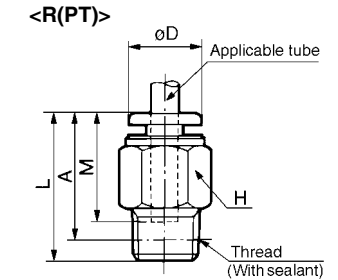
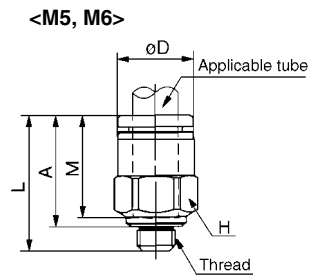
<M5, M6>



<R(PT)>



Tube O.D. (mm)	Thread R(PT)	Part No.	H (Hex.)	øD ⁽¹⁾	L	A*	M	Effective ⁽²⁾ area (mm ²)		Weight (g)
								Nylon	Urethane	
3.2	M5	KQ2H23-M5	7	7	16.7	13.6	12.7	3	2.5	2.1
	1/8	KQ2H23-01S	10	—	21.1	18	15.5	3.4	2.9	9
	1/4	KQ2H23-02S	14	—	19	13.5	16	—	—	16
4	M5	KQ2H04-M5	8	8	17	13.9	12.7	4	4	2.4
	M6	KQ2H04-M6	8	—	18	—	16	—	—	2.5
	1/8	KQ2H04-01S	10	—	21.1	18	16	5.6	4	9
6	1/4	KQ2H04-02S	14	—	19	13.5	16	—	—	16
	M5	KQ2H06-M5	10	10	17.8	14.7	13.5	4	4	3.3
	M6	KQ2H06-M6	10	—	19	14.9	17	13.1	10.4	3.4
8	1/8	KQ2H06-01S	12	—	21.6	18.5	17	—	—	16
	1/4	KQ2H06-02S	14	—	22.5	17	17	13.1	10.4	14
	3/8	KQ2H06-03S	17	—	20.9	15.5	17	—	—	27
10	1/8	KQ2H08-01S	14	—	27.1	24	18.5	26.1	18.0	21
	1/4	KQ2H08-02S	17	—	26	20.5	18.5	26.1	18.0	19
	3/8	KQ2H08-03S	17	—	20.9	15.5	21	41.5	29.5	26
12	1/8	KQ2H10-01S	17	—	29.1	26	21	26.1	26.1	19
	1/4	KQ2H10-02S	17	—	33	27.5	21	41.5	29.5	30
	3/8	KQ2H10-03S	17	—	27.9	22.5	21	—	—	30
16	1/2	KQ2H10-04S	22	—	26.1	19	22	—	—	53
	1/4	KQ2H12-02S	19	—	34	28.5	22	58.3	46.1	42
	3/8	KQ2H12-03S	22	—	28.9	23.5	22	81	(81)	34
16	1/2	KQ2H12-04S	22	—	29.1	22	25	113	(96)	51
	3/8	KQ2H16-03S	24	25.7	38.4	33	25	81	(81)	61
	1/2	KQ2H16-04S	24	25.7	34.6	27.5	25	113	(96)	47



*Reference dimensions after R(PT) thread installation.



Note1) øD: max. diameter

Note2) (): Values for soft nylon

Hexagon socket head male connector: KQ2S

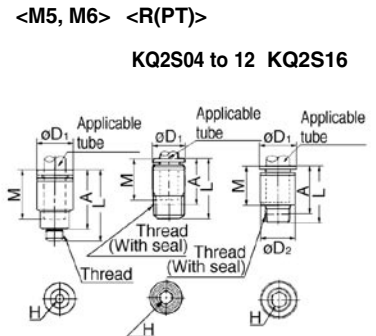
<M5, M6>



<R(PT)>



Tube O.D. (mm)	Thread R(PT)	Part No.	H (Hex.)	øD ⁽¹⁾	øD ₂	L	A*	M	Effective ⁽²⁾ area (mm ²)		Weight (g)
									Nylon	Urethane	
4	M5	KQ2S04-M5	2.5	8	—	18.7	15.6	12.7	4	4	2.7
	M6	KQ2S04-M6	3	9.8	—	18.2	14.1	16	4.1	3.6	2.8
	1/8	KQ2S04-01S	3	—	22.1	19	16	4.1	3.6	8	
6	M5	KQ2S06-M5	2.5	10	—	19.5	16.4	13.5	4	4	3.3
	M6	KQ2S06-M6	3	11.8	—	19.1	15	17	10.0	9.9	3.4
	1/8	KQ2S06-01S	4	13.8	—	23.1	20	17	10.7	10.0	9
8	1/4	KQ2S06-02S	4	—	23.5	18	18.5	23.3	16.2	15	
	1/8	KQ2S08-01S	5	14	—	27.1	24	18.5	23.3	12	
	1/4	KQ2S08-02S	6	17	—	25	19.5	21	23.3	11	
10	3/8	KQ2S08-03S	6	—	26.4	21	21	39.0	26.6	24	
	1/8	KQ2S10-01S	5	17	—	29.1	26	21	17.2	10.0	18
	1/4	KQ2S10-02S	8	—	26.6	21.5	21	39.0	26.6	12	
12	3/8	KQ2S10-03S	8	—	26.4	21	22	60.0	44.5	19	
	1/2	KQ2S10-04S	8	—	27.1	20	22	60.0	44.5	35	
	1/4	KQ2S12-02S	8	19	—	33.5	27.5	22	46.0	23	
16	3/8	KQ2S12-03S	10	22	—	27.9	22.5	22	60.0	18	
	1/2	KQ2S12-04S	10	—	27.1	20	25	81	(81)	30	
	3/8	KQ2S16-03S	10	25.7	24	37.9	32.5	25	113	42	
1/2	KQ2S16-04S	12	—	34.1	27	25	113	(96)	34		



*Reference dimensions after R(PT) thread installation.



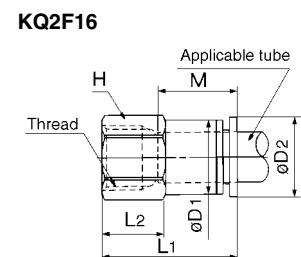
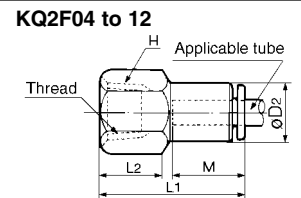
Note1) øD₁: max. diameter

Note2) (): Values for soft nylon

Female connector: KQ2F



Tube O.D. (mm)	Thread Rc(PT)	Part No.	H (Hex.)	øD ₁	øD ₂	L ₁	L ₂	M	Effective ⁽²⁾ area (mm ²)		Weight (g)
									Nylon	Urethane	
4	1/8	KQ2F04-01	14	—	10	27	11	16	5.6	4	15
	1/4	KQ2F04-02	17	—	10	31	14	16	5.6	4	23
6	1/8	KQ2F06-01	14	—	12	27.5	11	17	13.1	10.4	15
	1/4	KQ2F06-02	17	—	12	31	13	17	13.1	10.4	22
	3/8	KQ2F06-03	19	—	12	33.5	15	17	13.1	10.4	25
8	1/8	KQ2F08-01	14	—	14	29	11	18.5	26.1	18.0	17
	1/4	KQ2F08-02	17	—	14	32.5	13	18.5	26.1	18.0	24
	3/8	KQ2F08-03	19	—	14	33.5	14	18.5	26.1	18.0	24
10	1/4	KQ2F10-02	17	—	17	34.5	14	21	41.5	29.5	27
	3/8	KQ2F10-03	19	—	17	36.5	15	21	41.5	29.5	30
	1/4	KQ2F12-02	19	—	19	35	14	22	58.3	46.1	36
12	3/8	KQ2F12-03	19	—	19	37	14	22	58.3	46.1	31
	1/2	KQ2F12-04	24	—	19	41	18	22	58.3	46.1	52
	3/8	KQ2F16-03	24	24	25.7	38	15	25	81	(81)	59
1/2	KQ2F16-04	24	24	25.7	43	19	25	113	(96)	58	



*Reference dimensions after R(PT) thread installation.



Note1) øD₂: max. diameter

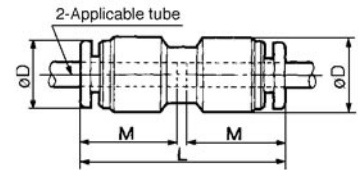
Note2) (): Values for soft nylon

Series KQ2

Straight union: KQ2H



Tube O.D. (mm)	Part No.	øD ⁽¹⁾	L	M	Effective area (mm ²) ⁽²⁾		Weight (g)
					Nylon	Urethane	
3.2	KQ2H23-00	9.6	31.5	15.5	3.4	2.9	3
4	KQ2H04-00	10.4	32.5	16	5.6	4	3
6	KQ2H06-00	12.8	34.5	17	13.1	10.4	4
8	KQ2H08-00	15.2	38.5	18.5	26.1	18.0	6
10	KQ2H10-00	18.5	42.5	21	41.5	29.5	11
12	KQ2H12-00	20.9	44.5	22	58.3	46.1	14
16	KQ2H16-00	26.5	51	25	113	(96)	24

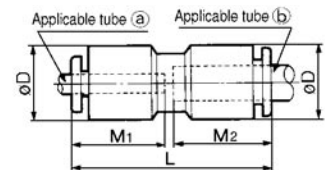


Note1) øD: max. diameter
Note2) (): Values for soft nylon.

Different diameter straight: KQ2H



Tube O.D. (mm)		Part No.	øD ⁽¹⁾	L	M ₁	M ₂	Effective area (mm ²) ⁽²⁾		Weight (g)
a	b						Nylon	Urethane	
3.2	4	KQ2H23-04	10.4	32.5	15.5	16	3.4	2.9	3
4	6	KQ2H04-06	12.8	34.5	16	17	5.6	5.6	5
6	8	KQ2H06-08	15.2	38.5	17	18.5	13.1	10.4	6
8	10	KQ2H08-10	18.5	42	18.5	21	26.1	18.0	11
10	12	KQ2H10-12	20.9	44.5	21	22	41.5	29.5	14
12	16	KQ2H12-16	26.5	56.5	22	25	58.3	46.1	47



Note1) øD: max. diameter

Male elbow: KQ2L

<M5>



<M6>

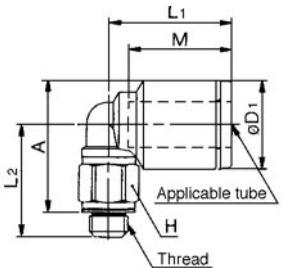


<R(PT)>

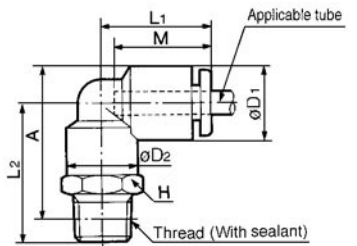


Tube O.D. (mm)	Thread R(PT)	Part No.	H (Hex.)	øD ⁽¹⁾	øD ₂	L ₁	L ₂	A	M	Effective area (mm ²) ⁽²⁾		Weight (g)			
										Nylon	Urethane				
3.2	M5	KQ2L23-M5	7	8.5	-	15.3	13.2	14.3	12.7	2.6	2.2	2.5			
	1/8	KQ2L23-01S	10	9.6	10	17.5	20.6	22.5	15.5	3	2.5	8			
	1/4	KQ2L23-02S	14				25	24.5							
4	M5	KQ2L04-M5	7	9.3	-	15.6	13.7	15.3	12.7	3.5	3.5	2.7			
	M6	KQ2L04-M6	8				14.7	14.7				3.6			
	1/8	KQ2L04-01S	10	10.4	10	18	21.1	23	16	4.2	4.2	10			
6	1/4	KQ2L04-02S	14	11.6	-	16.1	25.5	25	13.5	3.5	3.5	19			
	M5	KQ2L06-M5	7				14.7	17.4				13.5	3.5	3.5	4.1
	M6	KQ2L06-M6	8	15.7	17.4	13.5	3.5	3.5	4.1						
	1/8	KQ2L06-01S	10	12.8	10	20	22.1	25.5	17	11.4	9.0	12			
	1/4	KQ2L06-02S	14				26.5	27.5				17	11.4	9.0	22
	3/8	KQ2L06-03S	17	27.9	29	33	33								
1/8	KQ2L08-01S	12	15.2	12	23	23.6	28	18.5	21.6	14.9	21	13			
1/4	KQ2L08-02S	14				28	30					18.5	21.6	14.9	21
3/8	KQ2L08-03S	17				29.4	31.5					35			
10	1/8	KQ2L10-01S	17	18.5	17	26.5	26.1	32	21	21.6	14.9	25			
	1/4	KQ2L10-02S	17				29.5	33				21	21.6	14.9	26
	3/8	KQ2L10-03S	22	30.9	34.5	36	63								
	1/2	KQ2L10-04S	22	35.1	37	63									
12	1/4	KQ2L12-02S	17	20.9	17	28.5	30.5	35.5	22	50.2	39.7	28			
	3/8	KQ2L12-03S	17				31.9	37				38			
	1/2	KQ2L12-04S	22	36.1	39.5	65									
16	3/8	KQ2L16-03S	22	26.5	20.9	34	36.9	44.5	25	71	(71)	101			
	1/2	KQ2L16-04S	22				40.1	46				100	(84)	105	

<M5, M6>



<R(PT)>



*Reference dimensions after R(PT) thread installation.

Note1) øD₁: max. diameter
Note2) (): Values for soft nylon.

Male branch connector: KQ2LU

<M5, M6>

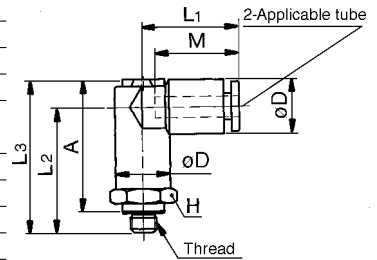
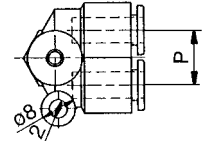


<R(PT)>

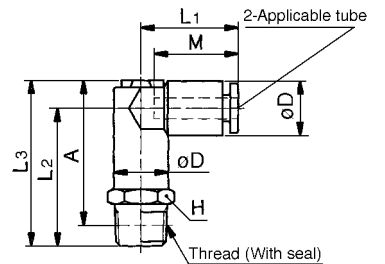
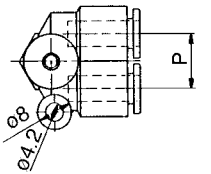


Tube O.D. (mm)	Thread R(PT)	Part No.	H (Hex.)	⁽¹⁾ øD	L1	L2	L3	A*	M	P	Effective area (mm ²)		Weight (g)
											Nylon	Urethane	
4	M5	KQ2LU04-M5	11	10.4	18.5	24	29.5	25.5	16	10.4	4.3	4.1	10
	M6	KQ2LU04-M6				24.5	30						
	1/8	KQ2LU04-01S	26.5			31.1	27.5	6.0			4.1	12	
	1/4	KQ2LU04-02S	30.5			35.5	30						21
6	M5	KQ2LU06-M5	13	12.8	21	26.5	33	29.5	17	12.8	4.3	4.3	13
	M6	KQ2LU06-M6				27	33.5						
	1/8	KQ2LU06-01S	29.5			35.1	32	13.9			11.0	15	
	1/4	KQ2LU06-02S	33			39	33.5						22
8	3/8	KQ2LU06-03S	17	15.2	24	35	40.4	35	18.5	15.2	26.3	18.2	27
	1/8	KQ2LU08-01S	34			40.6	38	35					
	1/4	KQ2LU08-02S	37			44	38.5				41		
	3/8	KQ2LU08-03S	38			44.4	39	41					
10	1/4	KQ2LU10-02S	19	18.5	27	40	49	43.5	21	18.5	40.8	29.0	42
	3/8	KQ2LU10-03S	41			49.4	44	64					
	1/2	KQ2LU10-04S	44.5			53.1	45.5				57		
	1/4	KQ2LU12-02S	42.5			52.5	47	57					
12	3/8	KQ2LU12-03S	22	20.9	29	43.5	52.9	47.5	22	20.9	57.2	45.2	58
	1/2	KQ2LU12-04S	46.5			56.1	49	65					

<M5, M6>



<R(PT)>



*Reference dimensions after R(PT) thread installation.
Note1) øD: max. diameter

45° Male elbow: KQ2K

<M5, M6>

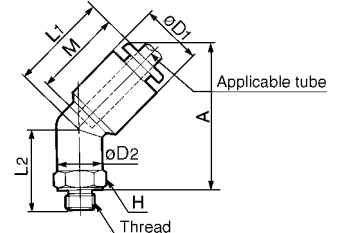


<R(PT)>

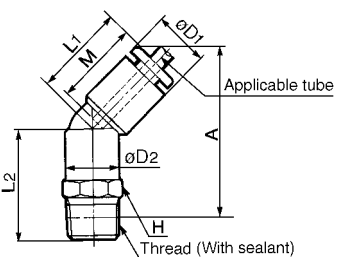


Tube O.D. (mm)	Thread R(PT)	Part No.	H (Hex.)	⁽¹⁾ øD1	øD2	L1	L2	A*	M	P	Effective ⁽²⁾ area (mm ²)		Weight (g)
											Nylon	Urethane	
4	M5	KQ2K04-M5	8	10.4	8	17	14.5	26	16	3.4	3.4	4	
	M6	KQ2K04-M6					15						5
	1/8	KQ2K04-01S	10				19.6	32				10	
	1/4	KQ2K04-02S	14				24	34				19	
6	M5	KQ2K06-M5	8	12.8	8	18	18	14.5	17	8.7	6.9	6	
	M6	KQ2K06-M6					18.5	15					5
	1/8	KQ2K06-01S	10				19.6	33	12				
	1/4	KQ2K06-02S	14				24	35	10				
8	3/8	KQ2K06-03S	17	15.2	12	20.5	25.4	36.5	18.5	19.7	19.7	33	
	1/8	KQ2K08-01S	12				21.1	37					13
	1/4	KQ2K08-02S	14				25.5	39				21	
	3/8	KQ2K08-03S	17				26.9	41					35
10	1/8	KQ2K10-01S	17	18.5	17	24	23.1	42	21	30.9	23.2	25	
	1/4	KQ2K10-02S	26.5				43.5	26					
	3/8	KQ2K10-03S	27.9				45					36	
	1/2	KQ2K10-04S	32.1				47.5	63					
12	1/4	KQ2K12-02S	17	20.9	17	25	27	45.5	22	44.5	35.1	28	
	3/8	KQ2K12-03S	28.4				47.5	38					
	1/2	KQ2K12-04S	32.6				49.5					65	
	16	3/8	KQ2K16-03S				22	26.5					20.9
1/2		KQ2K16-04S	34.1	56.5	58								
1/2		KQ2K16-04S	91.9	(78.3)									

<M5, M6>



<R(PT)>




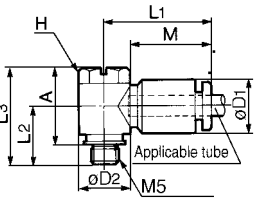
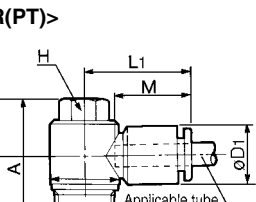
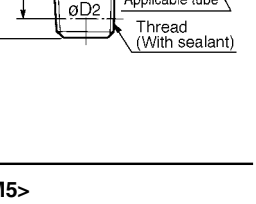
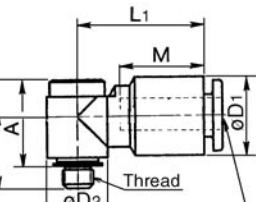
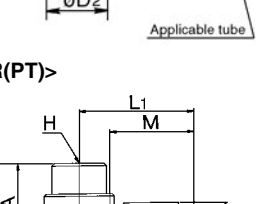
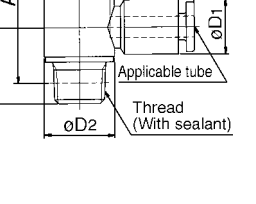
*Reference dimensions after R(PT) thread installation.

Note1) øD1: max. diameter

Note2) (): Values for soft nylon.

Series KQ2

Universal male elbow: KQ2V


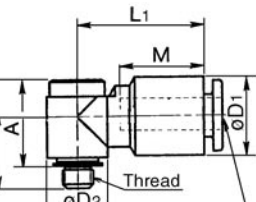
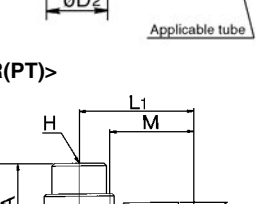
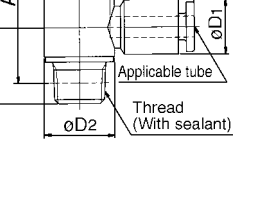


<M5>	Tube O.D. (mm)	Thread R(PT)	Part No.	H (Hex.)	øD1 ⁽¹⁾	øD2	L1	L2	L3	A*	M	Effective area (mm ²) ⁽²⁾		Weight (g)	<M5>
												Nylon	Urethane		
	4	M5	KQ2V04-M5	8	10.4	9.8	20.5	11	18.5	15	16	2.9	2.9	6	
		1/8	KQ2V04-01S			13.4	22	14.5	25.6	22.5		3.8	3.8	7	
<R(PT)>	6	M5	KQ2V06-M5	8	12.8	9.8	23.5	12	18.5	15	17	3.8	3.8	7	
		1/8	KQ2V06-01S			13.4	24	14.5	25.6	22.5		7.5	5.9	15	
		1/4	KQ2V06-02S	10		15.4	23.5	18.5	30.5	25				26	
	8	1/8	KQ2V08-01S	12	15.2	17.6	28.5	15.5	27.6	24.5	18.5	16	11.2	24	
		1/4	KQ2V08-02S			20.6	27.5	20.5	35.4	30		20.5	14.3	47	
		3/8	KQ2V08-03S	14		20.6	27.5	20.5	35.4	30				47	
	10	1/4	KQ2V10-02S	14	18.5	20.6	31	19.5	35	29.5	21	27	20.3	40	
		3/8	KQ2V10-03S			22	37.4	32	20.5	35.4		30	27	20.3	
	12	3/8	KQ2V12-03S	17	20.9	25.2	34	22	40.6	33.5	22	39	30.8	63	
		1/2	KQ2V12-04S			25	40.6	33.5	25	45.4		40.5	39	30.8	
	16	3/8	KQ2V16-03S	21	26.5	32.3	39	26.5	45.4	40.5	25	55	(55)	103	
		1/2	KQ2V16-04S			29.5	48.6	41.5	29.5	48.6		41.5	55	(65)	

*Reference dimensions after R(PT) thread installation.

Note1) øD1: max. diameter

Note2) (): Values for soft nylon.

Hexagon socket head universal male elbow: KQ2VS

<M5>	Tube O.D. (mm)	Thread R(PT)	Part No.	H (Hex.)	øD1 ⁽¹⁾	øD2	L1	L2	L3	A*	M	Effective area (mm ²) ⁽²⁾		Weight (g)	<M5>
												Nylon	Urethane		
	4	M5	KQ2VS04-M5	4	10.4	9.8	20.5	10.5	18	15	16	2.9	2.9	6	
		1/8	KQ2VS04-01S			13.4	22	14.5	25.6	22.5		3.8	3.8	7	
<R(PT)>	6	M5	KQ2VS06-M5	4	12.8	9.8	23.5	12	18	15	17	3.8	3.8	7	
		1/8	KQ2VS06-01S			13.4	24	14.5	25.6	22.5		7.5	5.9	15	
		1/4	KQ2VS06-02S	6		15.3	23.5	18.5	26.5	21				22	
	8	1/8	KQ2VS08-01S	8	15.2	17.6	28.5	15.5	26.1	23	18.5	16	11.2	24	
		1/4	KQ2VS08-02S			20.6	27.5	20.5	31.4	26		20.5	14.3	47	
	10	3/8	KQ2VS08-03S	14		20.6	27.5	20.5	31.4	26				47	
		1/4	KQ2VS10-02S	8	18.5	20.6	31	19.5	31	25	21	27	20.3	32	
3/8	KQ2VS10-03S	22	34.9			30	20.5	31.4	26	27		20.3	39		
	12	3/8	KQ2VS12-03S	10	20.9	25.2	34	22	34.9	30	22	39	30.8	48	
		1/2	KQ2VS12-04S			25	38.1	31	25	38.1		31	39	30.8	

*Reference dimensions after R(PT) thread installation.

Note1) øD1: max. diameter

Universal female elbow: KQ2VF

<M5>



<R(PT)>



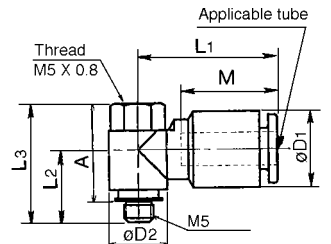
Tube O.D. (mm)	Thread Rc(PT) R(PT)	Part No.	H (Hex.)	$\phi D_1^{(1)}$	ϕD_2	L1	L2	L3	A*	M	Weight (g)
4	M5	KQ2VF04-M5	8	10.4	9.8	20.5	11	20	16	16	6
	1/8	KQ2VF04-01S	14								13.4
6	M5	KQ2VF06-M5	8	12.8	9.8	23.5	12.5	20	16	17	7
	1/8	KQ2VF06-01S	14								13.4
	1/4	KQ2VF06-02S	17	15.2	17.6	25	20	38	32.5	18.5	36
	1/8	KQ2VF08-01S	14								17
8	1/4	KQ2VF08-02S	17	15.2	17.6	28.5	17	30.1	27	18.5	37
	3/8	KQ2VF08-03S	22								25.2
10	1/4	KQ2VF10-02S	19	18.5	20.6	31.5	22	40.5	35	21	48
	3/8	KQ2VF10-03S	22								25.2
12	3/8	KQ2VF12-03S	22	20.9	25.2	34	24.5	44.4	39	22	70
	1/2	KQ2VF12-04S	24								27

*Reference dimensions after R(PT) thread installation.

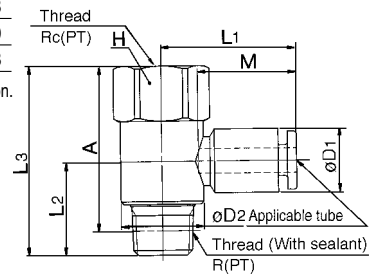
Note1) ϕD_1 : max. diameter



<M5>



<R(PT)>



Female elbow: KQ2LF

<M5, M6>



<Rc(PT)>

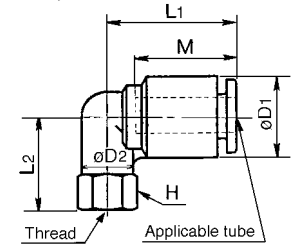


Tube O.D. (mm)	Thread Rc(PT)	Part No.	H (Hex.)	$\phi D_1^{(1)}$	ϕD_2	L1	L2	M	Effective area (mm ²)		Weight (g)	
									Nylon	Urethane		
4	M5	KQ2LF04-M5	8	10.4	8	18.5	14.5	16	3.5	3.5	5	
	M6	KQ2LF04-M6	14									15.5
	1/8	KQ2LF04-01	14									21
	1/4	KQ2LF04-02	17	12.8	10	20.5	24.5	17	4.2	4.2	13	
	M5	KQ2LF06-M5	8									15
	M6	KQ2LF06-M6	14									16
6	1/8	KQ2LF06-01	14	15.2	12	23.5	22	17	11.4	9.0	20	
	1/4	KQ2LF06-02	17									25.5
	3/8	KQ2LF06-03	19									26
8	1/8	KQ2LF08-01	14	18.5	17	26.5	23	18.5	21.6	14.9	16	
	1/4	KQ2LF08-02	17									27
	3/8	KQ2LF08-03	19									27
10	1/4	KQ2LF10-02	17	20.9	17	28.5	28	21	21.6	14.9	27	
	3/8	KQ2LF10-03	19									28.5
	1/2	KQ2LF10-04	24									32.5
12	1/4	KQ2LF12-02	17	17	28.5	30	29.5	22	50.2	39.7	29	
	3/8	KQ2LF12-03	19									30
	1/2	KQ2LF12-04	24									34

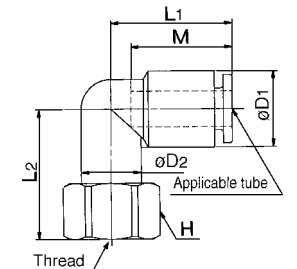
Note1) ϕD_1 : max. diameter



<M5, M6>



<Rc(PT)>



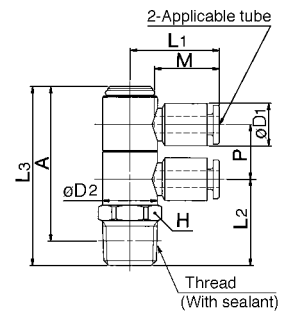
Double universal male elbow: KQ2VD



Tube O.D. (mm)	Thread R(PT)	Part No.	H (Hex.)	$\phi D_1^{(1)}$	ϕD_2	L1	L2	L3	A*	M	P	Weight (g)
4	1/8	KQ2VD04-01S	14	10.4	13.4	22	18.5	40.1	37	16	13.4	23
	1/4	KQ2VD04-02S	17				21.5	43.5	38			29
	3/8	KQ2VD04-03S	17				23.5	44.9	40			42
6	1/8	KQ2VD06-01S	14	12.8	13.4	24.5	18.5	40.1	37	17	13.4	24
	1/4	KQ2VD06-02S	17				21.5	43.5	38			30
	3/8	KQ2VD06-03S	17				23.5	44.9	40			42
8	1/8	KQ2VD08-01S	19	15.2	17.6	28.5	21	47.1	44	18.5	15.9	53
	1/4	KQ2VD08-02S	19				24	50.5	45			51
	3/8	KQ2VD08-03S	21				25	50.9	45.5			60
10	1/4	KQ2VD10-02S	21	18.5	20.6	31.5	26.5	57.5	52	21	19.2	71
	3/8	KQ2VD10-03S	21				27.5	57.9	53			74
	1/2	KQ2VD10-04S	24				30.5	61.1	54			91
12	1/4	KQ2VD12-02S	26	20.9	25.2	34	28.5	64	58.5	22	21.6	118
	3/8	KQ2VD12-03S	26				29.5	64.4	59			113
	1/2	KQ2VD12-04S	26				32.5	67.6	60			125

*Reference dimensions after R(PT) thread installation.

Note1) ϕD_1 : max. diameter



Series KQ2

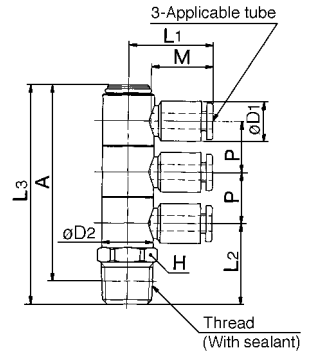
Triple universal male elbow: KQ2VT



Tube O.D. (mm)	Thread R(PT)	Part No.	H (Hex.)	$\phi D_1^{(1)}$	ϕD_2	L1	L2	L3	A*	M	P	Weight (g)
4	1/8	KQ2VT04-01S	14	10.4	13.4	22	18.5	53.6	50.5	16	13.4	29
	1/4	KQ2VT04-02S	17				21.5	57	51.5			34
	3/8	KQ2VT04-03S	17				23.5	58.4	53.5			48
6	1/8	KQ2VT06-01S	14	12.8	13.4	24.5	18.5	53.6	50.5	17	13.4	31
	1/4	KQ2VT06-02S	17				21.5	57	51.5			37
	3/8	KQ2VT06-03S	17				23.5	58.4	53.5			50
8	1/8	KQ2VT08-01S	19	15.2	17.6	28.5	21	63.1	60	18.5	15.9	71
	1/4	KQ2VT08-02S	19				24	66.5	61			66
	3/8	KQ2VT08-03S	21				25	66.9	61.5			75
	1/2	KQ2VT08-04S	21				28.5	70.6	63.5			96
10	1/4	KQ2VT10-02S	21	18.5	20.6	31.5	26.5	77	71.5	21	19.2	94
	3/8	KQ2VT10-03S	21				27.5	77.4	72			111
	1/2	KQ2VT10-04S	21				30.5	80.6	73.5			111
12	1/4	KQ2VT12-02S	26	20.9	25.2	34	28.5	85.9	80	22	21.6	153
	3/8	KQ2VT12-03S	26				29.5	89.1	80.5			142
	1/2	KQ2VT12-04S	26				32.5	89.1	82			154

*Reference dimensions after R(PT) thread installation.

Note1) ϕD_1 : max. diameter



Branch universal male elbow: KQ2Z

<M5>



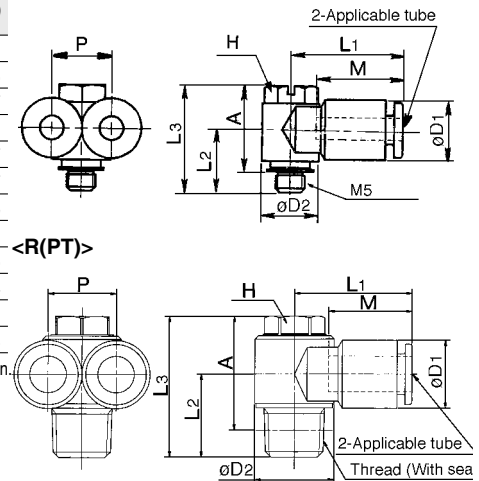
<R(PT)>



Tube O.D. (mm)	Thread R(PT)	Part No.	H (Hex.)	$\phi D_1^{(1)}$	ϕD_2	L1	L2	L3	A*	M	P	Effective area (mm ²)		Weight (g)		
												Nylon	Urethane			
4	M5	KQ2Z04-M5	8	10.4	9.8	19.5	11	18.5	15	16	10.4	3.4	3.4	8		
	1/8	KQ2Z04-01S	8		13.4	21	14.5	25.6	22.5			4.7	4.7	16		
6	1/8	KQ2Z06-01S	8	12.8	20.6	25.5	13.4	22	14.5	25.6	22.5	17	12.8	10.8	8.6	17
	1/4	KQ2Z06-02S	14				19.5	35	29.5	39						
	3/8	KQ2Z06-03S	14				20.5	35.4	30	47						
8	1/8	KQ2Z08-01S	12	15.2	17.6	26	15.5	27.6	24.5	18.5	15.2	20.5	14.2	27	27	
	1/4	KQ2Z08-02S	14				18.5	31	25.5						33	
	3/8	KQ2Z08-03S	14				20.6	27	20.5						35.4	30
10	1/4	KQ2Z10-02S	14	18.5	20.6	29	19.5	35	29.5	21	18.5	31.8	22.6	46	46	
	3/8	KQ2Z10-03S	14				20.5	35.4	30						54	
	1/2	KQ2Z10-04S	14				22	37.9	32.5						71	
12	3/8	KQ2Z12-03S	17	20.9	25.2	32.5	25	41.1	34	22	20.9	44.6	35.3	71	71	
1/2	KQ2Z12-04S	17	25				41.1	34	88							

*Reference dimensions after R(PT) thread installation.

Note1) ϕD_1 : max. diameter



Branch universal female elbow: KQ2ZF

<M5>



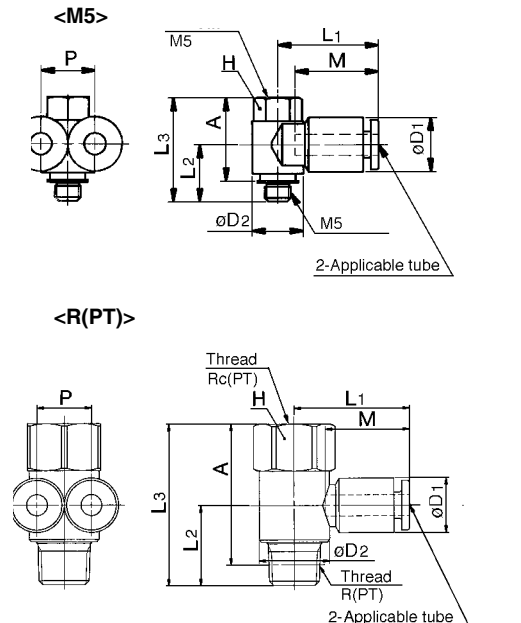
<R(PT)>



Tube O.D. (mm)	Thread R(PT)	Part No.	H (Hex.)	$\phi D_1^{(1)}$	ϕD_2	L1	L2	L3	A*	M	P	Weight (g)			
4	M5	KQ2ZF04-M5	8	10.4	9.8	19.5	11	20	16.5	16	10.4	8			
	1/8	KQ2ZF04-01S	14		13.4	21	15.5	28.6	25.5			21			
6	1/8	KQ2ZF06-01S	14	12.8	20.6	25.5	13.4	22	15.5	28.6	25.5	17	12.8	24	
	1/4	KQ2ZF06-02S	19				20.6	25.5	22	40.5	35				47
	3/8	KQ2ZF06-03S	19				17.6	25.5	17	30.1	27				32
8	1/8	KQ2ZF08-01S	17	15.2	17.6	26	20.6	27	22	40.5	35	18.5	15.2	49	
	1/4	KQ2ZF08-02S	19				20.6	29	22	40.5	35				49
	3/8	KQ2ZF08-03S	19				20.6	29	22	40.5	35				54
10	1/4	KQ2ZF10-02S	19	18.5	20.6	29	25.2	31.5	24.5	44.4	39	21	18.5	74	
	3/8	KQ2ZF10-03S	22				25.2	31.5	24.5	44.4	39				77
	1/2	KQ2ZF10-04S	22				25.2	31.5	24.5	44.4	39				101
12	3/8	KQ2ZF12-03S	22	20.9	25.2	32.5	25	44.4	39	22	20.9	77	101		
1/2	KQ2ZF12-04S	24	27				33	25	49.1					42	

*Reference dimensions after R(PT) thread installation.

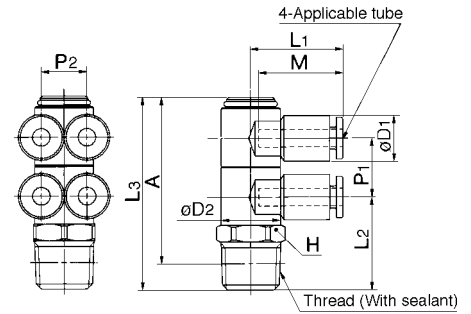
Note1) ϕD_1 : max. diameter



Double branch universal male elbow: KQ2ZD



Tube O.D. (mm)	Thread R(PT)	Part No.	H (Hex.)	$\phi D_1^{(1)}$	ϕD_2	L ₁	L ₂	L ₃	A*	M	P ₁	P ₂	Weight (g)
4	1/8	KQ2ZD04-01S	14	10.4	13.4	21	18.5	40.1	37	16	13.4	10.4	34
	1/4	KQ2ZD04-02S					21.5	43.5	38				40
	3/8	KQ2ZD04-03S					23.5	44.9	40				53
6	1/8	KQ2ZD06-01S	14	12.8	13.4	22	18.5	40.1	37	17	13.4	12.8	38
	1/4	KQ2ZD06-02S					21.5	43.5	38				43
	3/8	KQ2ZD06-03S					23.5	44.9	40				57
8	1/8	KQ2ZD08-01S	19	15.2	17.6	26	21	47.1	44	18.5	15.9	15.2	76
	1/4	KQ2ZD08-02S					24	50.5	45				72
	3/8	KQ2ZD08-03S					25	50.9	45.5				81
	1/2	KQ2ZD08-04S					28.5	54.6	47.5				102
10	1/4	KQ2ZD10-02S	21	18.5	20.6	29	26.5	57.5	52	21	19.2	18.5	111
	3/8	KQ2ZD10-03S					27.5	57.9	53				128
12	1/4	KQ2ZD12-02S	26	20.9	25.2	32	30.5	61.1	54	22	21.6	20.9	178
	3/8	KQ2ZD12-03S					29.5	64.4	59				167
	1/2	KQ2ZD12-04S					32.5	67.6	60				179



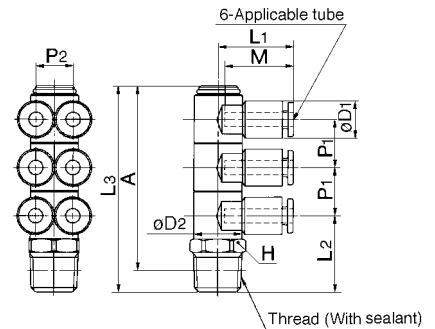
*Reference dimensions after R(PT) thread installation.

Note1) ϕD_1 : max. diameter

Triple branch universal male elbow: KQ2ZT



Tube O.D. (mm)	Thread R(PT)	Part No.	H (Hex.)	$\phi D_1^{(1)}$	ϕD_2	L ₁	L ₂	L ₃	A*	M	P ₁	P ₂	Weight (g)
4	1/8	KQ2ZT04-01S	14	10.4	13.4	21	18.5	53.6	50.5	16	13.4	10.4	25
	1/4	KQ2ZT04-02S					21.5	57	51.5				31
	3/8	KQ2ZT04-03S					23.5	58.4	53.5				44
6	1/8	KQ2ZT06-01S	14	12.8	13.4	22	18.5	53.6	50.5	17	13.4	12.8	27
	1/4	KQ2ZT06-02S					21.5	57	51.5				33
	3/8	KQ2ZT06-03S					23.5	58.4	53.5				46
8	1/8	KQ2ZT08-01S	19	15.2	17.6	26	21	63.1	60	18.5	15.9	15.2	56
	1/4	KQ2ZT08-02S					24	66.5	61				54
	3/8	KQ2ZT08-03S					25	66.9	61.5				62
	1/2	KQ2ZT08-04S					28.5	70.6	63.5				85
10	1/4	KQ2ZT10-02S	21	18.5	20.6	29	26.5	77	71.5	21	19.2	18.5	83
	3/8	KQ2ZT10-03S					27.5	77.4	72				85
	1/2	KQ2ZT10-04S					30.5	80.6	73.5				102
12	1/4	KQ2ZT12-02S	26	20.9	25.2	32	28.5	85.5	80	22	21.6	20.9	134
	3/8	KQ2ZT12-03S					29.5	85.9	80.5				130
	1/2	KQ2ZT12-04S					32.5	89.1	82				141



*Reference dimensions after R(PT) thread installation.

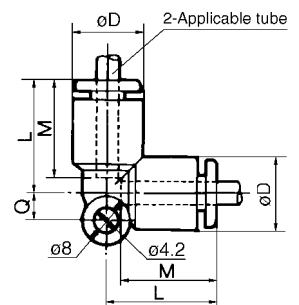
Note1) ϕD_1 : max. diameter

Union elbow: KQ2L



Tube O.D. (mm)	Part No.	$\phi D^{(1)}$	L	Q	M	Effective ⁽²⁾ area (mm ²)		Weight (g)
						Nylon	Urethane	
3.2	KQ2L23-00	9.6	17.5	4.3	15.5	3	2.5	3
4	KQ2L04-00	10.4	18	4.5	16	4.2	4.2	6
6	KQ2L06-00	12.8	20	5.3	17	11.4	9.0	6
8	KQ2L08-00	15.2	23	6	18.5	21.6	14.9	10
10	KQ2L10-00	18.5	26.5	6.8	21	35.2	25.0	17
12	KQ2L12-00	20.9	28.5	7.5	22	50.2	39.7	21
16	KQ2L16-00	26.5	34	10	25	100	(84)	29

Note1) ϕD : max. diameter
Note2) (): Values for soft nylon.



Series KQ2

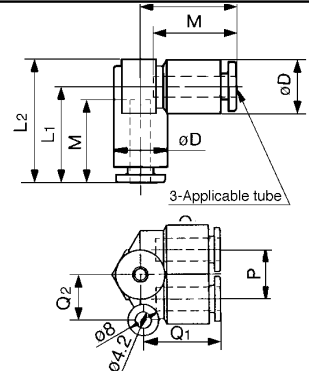
Branch union elbow: KQ2LU



Tube O.D. (mm)	Part No.	⁽¹⁾ ϕD	L1	L2	Q1	Q2	M	P	Effective area (mm ²)		Weight (g)
									Nylon	Urethane	
4	KQ2LU04-00	10.4	18.5	24	18.5	10	16	10.4	6.0	4.1	6
6	KQ2LU06-00	12.8	21	27.5	20.5	12	17	12.8	13.9	11.0	8
8	KQ2LU08-00	15.2	24	32	24.5	14	18.5	15.2	26.3	18.2	15
10	KQ2LU10-00	18.5	27	36.5	28	16	21	18.5	40.8	29.0	25
12	KQ2LU12-00	20.9	29	40	30	18	22	20.9	57.2	45.2	32



Note1) ϕD : max. diameter



Plug-in elbow: KQ2L

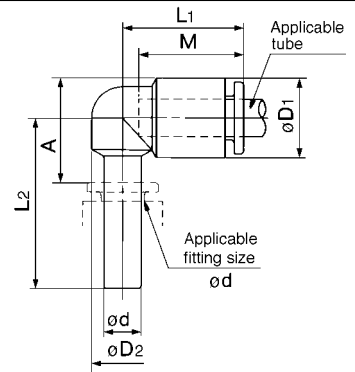


Tube O.D. (mm)	Fitting size ϕd	Part No.	⁽¹⁾ $\phi D1$	$\phi D2$	L1	L2	A	M	Effective ⁽²⁾ area (mm ²)		Weight (g)
									Nylon	Urethane	
3.2	3.2	KQ2L23-99	9.6	7	17	24.5	14	15.5	3	2.5	2
4	4	KQ2L04-99	10.4	8	18	25	14.5	16	4.2	4.2	3
6	6	KQ2L06-99	12.8	10	20	27.5	17	17	11.4	9.0	3
8	8	KQ2L08-99	15.2	12	22.5	31.5	21	18.5	21.6	14.9	5
10	10	KQ2L10-99	18.5	14	25.5	35.5	23.5	21	35.2	25.0	9
12	12	KQ2L12-99	20.9	16	27	37.5	26	22	50.2	39.7	10
16	16	KQ2L16-99	26.5	20.9	34	53	41	25	100	(84)	42



Note1) $\phi D1$: max. diameter

Note2) (): Values for soft nylon.



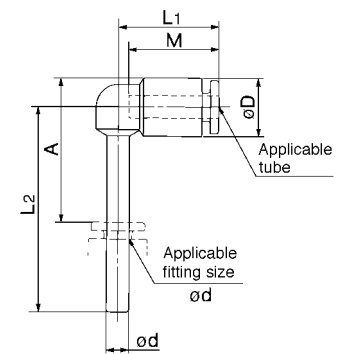
Extended plug-in elbow: KQ2W



Tube O.D. (mm)	Fitting size ϕd	Part No.	⁽¹⁾ ϕD	L1	L2	A	M	Effective area (mm ²)		Weight (g)
								Nylon	Urethane	
3.2	3.2	KQ2W23-99	9.6	17.5	35	24.5	15.5	3	2.5	2
4	4	KQ2W04-99	10.4	18	37	26	16	4.2	4.2	3
6	6	KQ2W06-99	12.8	20	41.5	31	17	11.4	9.0	4
8	8	KQ2W08-99	15.2	22.5	48	37	18.5	21.6	14.9	6
10	10	KQ2W10-99	18.5	25.5	55	43.5	21	35.2	25.0	9
12	12	KQ2W12-99	20.9	27	59.5	48	22	50.2	39.7	13



Note1) ϕD : max. diameter



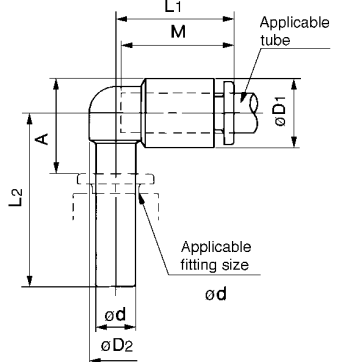
Reducer elbow: KQ2L



Tube O.D. (mm)	Fitting size ϕd	Part No.	⁽¹⁾ $\phi D1$	$\phi D2$	L1	L2	A	M	Effective area (mm ²)		Weight (g)
									Nylon	Urethane	
3.2	4	KQ2L23-04	9.6	7	17	25	13.5	15.5	3	2.5	2
4	6	KQ2L04-06	10.4	8	18	26	14.5	16	4.2	4.2	3
	8	KQ2L04-08				35	22				
6	8	KQ2L06-08	12.8	10	19.5	30.5	18	17	11.4	9.0	12
	10	KQ2L06-10			20	38.5	24				
8	10	KQ2L08-10	15.2	12	22.5	33.5	20.5	18.5	21.6	14.9	20
	12	KQ2L08-12			23	40.5	26				
10	12	KQ2L10-12	18.5	17	26.5	42	30	21	35.2	25.0	29
12	16	KQ2L12-16	20.9	17	28.5	49.5	34.5	22	50.2	39.7	53



Note1) $\phi D1$: max. diameter



Extended male elbow: KQ2W

<M5>



<R(PT)>



Tube O.D. (mm)	Thread R(PT)	Part No.	H (Hex.)	øD1 ⁽¹⁾	øD2	L1	L2	A*	M	Effective area (mm ²) ⁽²⁾		Weight (g)
										Nylon	Urethane	
3.2	M5	KQ2W23-M5	8	9.6	10	17.5	30	31	15.5	2.8	2.4	10
	1/8	KQ2W23-01S	10				36.1	38				19
	1/4	KQ2W23-02S	14				42.5	42				41
4	M5	KQ2W04-M5	8	10.4	10	18	30	32	16	3.0	3.0	11
	1/8	KQ2W04-01S	10				36.6	38.5				23
	1/4	KQ2W04-02S	14				43	42.5				38
6	M5	KQ2W06-M5	8	12.8	10	20	30.5	33.5	17	3	3	11
	1/8	KQ2W06-01S	10				39.1	42.5				26
	1/4	KQ2W06-02S	14				45.5	46.5				41
8	3/8	KQ2W06-03S	17	15.2	12	23	46.9	48	18.5	20.5	14.2	67
	1/8	KQ2W08-01S	12				42.6	47				30
	1/4	KQ2W08-02S	14				49	51				47
10	3/8	KQ2W08-03S	17	18.5	17	26.5	50.4	52.5	21	33.5	23.8	74
	1/4	KQ2W10-02S	17				56	59.5				66
	3/8	KQ2W10-03S	17				57.4	61				76
12	1/2	KQ2W10-04S	22	20.9	17	28.5	64.1	66	22	47.7	37.7	145
	1/4	KQ2W12-02S	17				57	62				68
	3/8	KQ2W12-03S	17				58.4	63.5				78
16	1/2	KQ2W12-04S	22	26.5	20.9	34	65.1	68.5	25	71	(71)	147
	3/8	KQ2W16-03S	22				68.4	76				101
	1/2	KQ2W16-04S	22				74.1	80				105

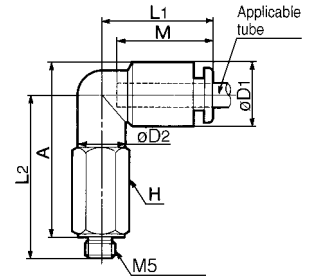
*Reference dimensions after R(PT) thread installation.



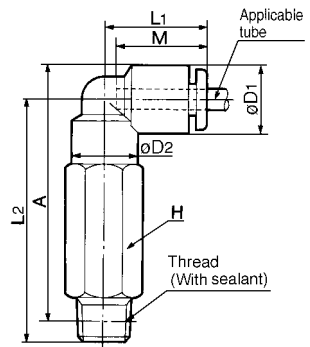
Note1) øD1: max. diameter

Note2) (): Values for soft nylon.

<M5>



<R(PT)>



Male branch tee: KQ2T

<M5>



<M6>



<R(PT)>



Tube O.D. (mm)	Thread R(PT)	Part No.	H (Hex.)	øD1 ⁽¹⁾	øD2	L1	L2	A*	M	Effective area (mm ²) ⁽²⁾		Weight (g)
										Nylon	Urethane	
3.2	M5	KQ2T23-M5	7	8.4	—	15.3	13.2	14.3	12.7	3.2	2.7	3.2
	1/8	KQ2T23-01S	10	9.6	10	17.5	20.6	22.5	15.5	3.4	2.9	10
	1/4	KQ2T23-02S	14				25	24.5				20
4	M5	KQ2T04-M5	7				10.4	10				18
	M6	KQ2T04-M6	8	14.7	15.3	4.4						
	1/8	KQ2T04-01S	10	21.1	23	13						
6	1/4	KQ2T04-02S	14	12.8	10	20	25.5	25	17	13.9	11.0	19
	M5	KQ2T06-M5	7				14.7	17.4				4.4
	M6	KQ2T06-M6	8				15.7	17.4				5.3
8	1/8	KQ2T06-01S	10	15.2	12	23	22.1	25.5	18.5	26.3	18.2	12
	1/4	KQ2T06-02S	14				26.5	27.5				20
	3/8	KQ2T06-03S	17				27.9	29				34
10	1/8	KQ2T08-01S	12	18.5	17	26.5	23.6	28	21	40.8	29.0	14
	1/4	KQ2T08-02S	14				28	30				22
	3/8	KQ2T08-03S	17				29.4	31.5				36
12	1/8	KQ2T10-01S	12	20.9	17	28.5	26.1	32	22	57.2	45.2	31
	1/4	KQ2T10-02S	17				29.5	33				29
	3/8	KQ2T10-03S	17				30.9	34.5				39
16	1/2	KQ2T10-04S	22	26.5	20.9	34	35.1	37	25	71	(71)	66
	1/4	KQ2T12-02S	17				30.5	35.5				31
	3/8	KQ2T12-03S	17				31.9	37				41
16	1/2	KQ2T12-04S	22	26.5	20.9	34	36.1	39.5	25	71	(71)	68
	3/8	KQ2T16-03S	22				36.9	44.5				112
	1/2	KQ2T16-04S	22				39.6	46				116

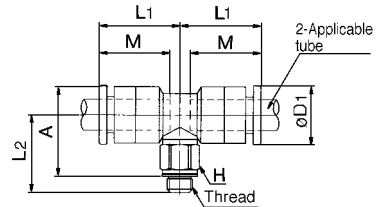
*Reference dimensions after R(PT) thread installation.



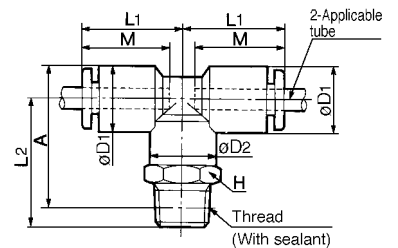
Note1) øD1: max. diameter

Note2) (): Values for soft nylon.

<M5, M6>



<R(PT)>



Series KQ2

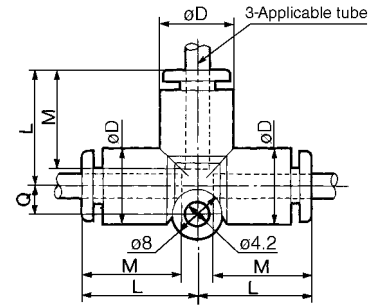
Union tee: KQ2T



Tube O.D. (mm)	Part No.	øD ⁽¹⁾	L	Q	M	Effective area (mm ²) ⁽²⁾		Weight (g)
						Nylon	Urethane	
3.2	KQ2T23-00	9.6	17.5	4.3	15.5	3.4	2.9	5
4	KQ2T04-00	10.4	18	4.5	16	6.4	4.4	7
6	KQ2T06-00	12.8	20	5.3	17	13.4	10.6	10
8	KQ2T08-00	15.2	23	6	18.5	25.6	17.7	15
10	KQ2T10-00	18.5	26.5	6.8	21	40	28.4	25
12	KQ2T12-00	20.9	28.5	7.5	22	57.4	45.4	29
16	KQ2T16-00	26.5	34	10	25	100	(84)	40



Note1) øD: max. diameter
Note2) (): Values for soft nylon.



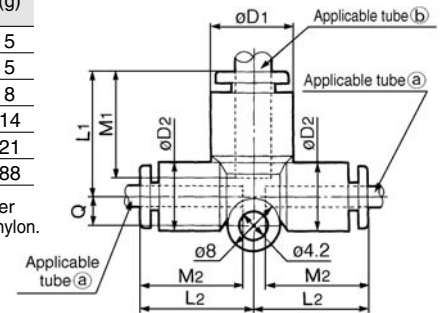
Different diameter tee: KQ2T



Tube O.D. (mm)		Part No.	øD ⁽¹⁾	øD ₂	L ₁	L ₂	Q	M ₁	M ₂	Effective area (mm ²) ⁽²⁾		Weight (g)
a	b									Nylon	Urethane	
3.2	4	KQ2T23-04	10.4	9.6	18	17.5	4.3	16	15.5	3.8	3.5	5
4	6	KQ2T04-06	12.8	10.4	19.5	18	4.5	17	16	7.1	6.5	5
6	8	KQ2T06-08	15.2	12.8	22.5	20	5.3	18.5	17	16.4	16.4	8
8	10	KQ2T08-10	18.5	15.2	26.5	23	6	21	18.5	36	27.2	14
10	12	KQ2T10-12	20.9	18.5	28.5	26.5	6.8	22	21	56	44.5	21
12	16	KQ2T12-16	26.5	26.5	34	39	10	25	22	108.5	(92.2)	88



Note1) øD₁: max. diameter
Note2) (): Valves for soft nylon.



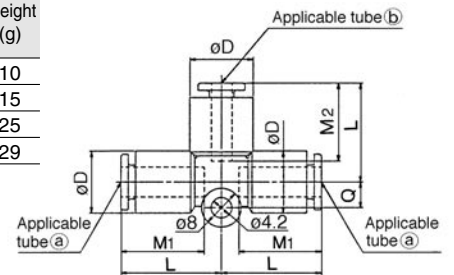
Different diameter tee: KQ2T



Tube O.D. (mm)		Part No.	øD ⁽¹⁾	L	Q	M ₁	M ₂	Effective area (mm ²) ⁽²⁾		Weight (g)
a	b							Nylon	Urethane	
6	4	KQ2T06-04	12.8	20	5.3	17	16	6.4	4.4	10
8	6	KQ2T08-06	15.2	23	6	18.5	17	13.4	10.6	15
10	8	KQ2T10-08	18.5	26.5	7.5	21	18.5	25.6	17.7	25
12	10	KQ2T12-10	20.9	28.5	7.5	22	21	40	28.4	29



Note1) øD: max. diameter



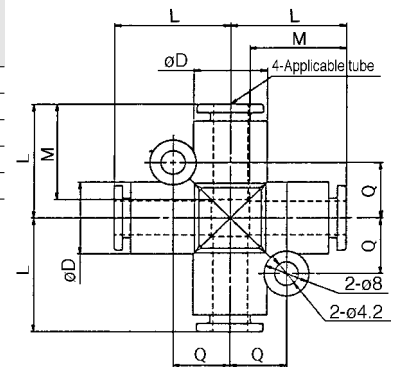
Cross: KQ2TW



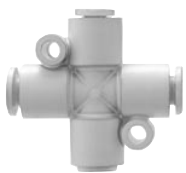
Tube O.D. (mm)	Part No.	øD ⁽¹⁾	L	Q	M	Effective area (mm ²) ⁽²⁾		Weight (g)
						Nylon	Urethane	
4	KQ2TW04-00	10.4	18	8.7	16	6.4	4.4	9
6	KQ2TW06-00	12.8	20	9.9	17	13.4	10.6	13
8	KQ2TW08-00	15.2	23	11.1	18.5	25.6	17.7	20
10	KQ2TW10-00	18.5	26.5	12.8	21	40	28.4	33
12	KQ2TW12-00	20.9	28.5	13.9	22	57.4	45.4	39



Note1) øD: max. diameter



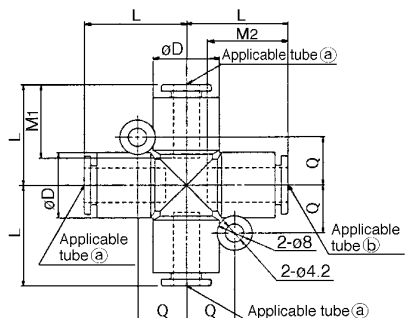
Different diameter cross: KQ2TX



Tube O.D. (mm)		Part No.	øD ⁽¹⁾	L	Q	M ₁	M ₂	Effective area (mm ²) ⁽²⁾		Weight (g)
a	b							Nylon	Urethane	
6	8	KQ2TX06-08	15.2	23	11.1	18.5	17	13.4	10.6	13
8	10	KQ2TX08-10	18.5	26.5	12.8	21	18.5	25.6	17.7	27
10	12	KQ2TX10-12	20.9	28.5	13.9	22	21	40	28.4	36



Note1) øD: max. diameter



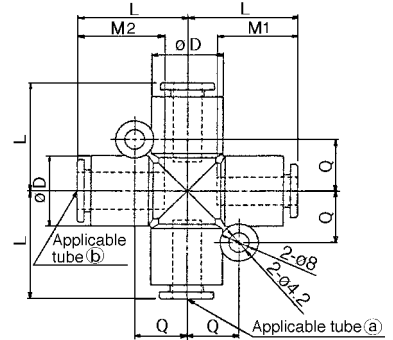
Different diameter cross: KQ2TY



Tube O.D. (mm)		Part No.	øD ⁽¹⁾	L	Q	M ₁	M ₂	Effective area (mm ²)		Weight (g)
a	b							Nylon	Urethane	
6	8	KQ2TY06-08	15.2	23	11.1	17	18.5	13.4	10.6	15
8	10	KQ2TY08-10	18.5	26.5	12.8	18.5	21	25.6	17.7	23
10	12	KQ2TY10-12	20.9	28.5	13.9	21	22	40	28.4	35



Note1) øD: max. diameter



Male run tee: KQ2Y

<M5>



<M6>



<R(PT)>



Tube O.D. (mm)	Thread R(PT)	Part No.	H (Hex.)	øD ⁽¹⁾	øD ₂	L ₁	L ₂	L ₃	A*	M	Effective area (mm ²) ⁽²⁾		Weight (g)
											Nylon	Urethane	
3.2	M5	KQ2Y23-M5	7	8.4	—	15.4	13.2	14.8	24.9	12.7	3.2	2.7	3.2
	1/8	KQ2Y23-01S	10	9.6	10	17.5	20.6	—	35	15.5	3.4	2.9	10
	1/4	KQ2Y23-02S	14				25	37	20				
4	M5	KQ2Y04-M5	7	9.3	—	15.6	13.7	14.8	25.4	12.7	4.5	4.5	3.5
	M6	KQ2Y04-M6	8				14.7						—
	1/8	KQ2Y04-01S	10	10.4	10	18	21.1	—	36	16	6.4	4.4	13
1/4	KQ2Y04-02S	14	25.5				38	19					
6	M5	KQ2Y06-M5	7	11.6	—	17.1	14.7	17.1	28.7	13.5	4.5	4.5	4.5
	M6	KQ2Y06-M6	8				15.7						—
	1/8	KQ2Y06-01S	10	12.8	10	20	22.1	—	39	17	13.4	10.6	12
1/4	KQ2Y06-02S	14	26.5				—	41	20				
8	3/8	KQ2Y06-03S	17	15.2	12	23	27.9	—	42.5	18.5	25.6	17.7	34
	1/8	KQ2Y08-01S	12				23.6	—	43.5				14
	1/4	KQ2Y08-02S	14	28	—	45.5	22						
10	3/8	KQ2Y08-03S	17	18.5	17	26.5	29.4	—	47	21	40.0	28.4	36
	1/8	KQ2Y10-01S	17				26.1	—	49.5				31
	1/4	KQ2Y10-02S	17	29.5	—	50.5	29						
12	3/8	KQ2Y10-03S	17	20.9	17	28.5	30.9	—	52	22	57.4	45.4	39
	1/2	KQ2Y10-04S	22				35.1	—	54.5				66
	1/4	KQ2Y12-02S	17	30.5	—	53.5	31						
16	3/8	KQ2Y12-03S	17	26.5	20.9	34	31.9	—	55	25	81	(81)	41
	1/2	KQ2Y12-04S	22				36.1	—	57.5				68
	3/8	KQ2Y16-03S	22	36.9	—	65.5	81	112					
1/2	KQ2Y16-04S	22	40.1	—	67	113	(113)	116					

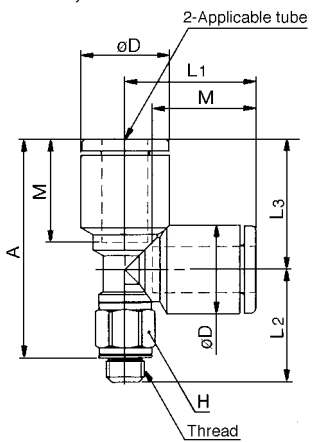
*Reference dimensions after R(PT) thread installation.

Note1) øD₁: max. diameter

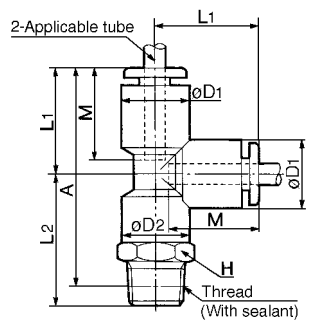
Note2) (): Values for soft nylon



<M5, M6>



<R(PT)>



Series KQ2

Male delta: KQ2D

<M5, M6>



<R(PT)>

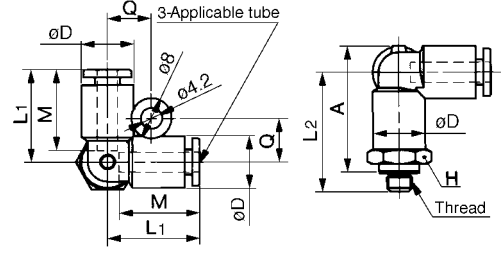


Tube O.D. (mm)	Thread R(PT)	Part No.	H (Hex.)	$\phi D^{(1)}$	L ₁	L ₂	A*	M	Q	Effective area (mm ²)		Weight (g)
										Nylon	Urethane	
4	M5	KQ2D04-M5	11	10.4	18.5	24	25.5	16	8.7	2.2	2.2	10
	M6	KQ2D04-M6				24.5				4.3	4.3	
	1/8	KQ2D04-01S				25.6				6.0	6.0	
	1/4	KQ2D04-02S				30				6.0	21	
6	M5	KQ2D06-M5	13	12.8	20.5	26	28.5	17	9.9	4.3	4.3	12
	M6	KQ2D06-M6				26.5				13.9	11.0	
	1/8	KQ2D06-01S				28.1				13.9	11.0	
	1/4	KQ2D06-02S				32				13.9	21	
8	3/8	KQ2D06-03S	17	15.2	23.5	33.4	34.5	18.5	11.1	26.3	18.2	34
	1/8	KQ2D08-01S	32.6			37						
	1/4	KQ2D08-02S	36			38						
	3/8	KQ2D08-03S	36.4			38.5						
10	1/4	KQ2D10-02S	19	18.5	26.5	39	43	21	12.8	40.8	29.0	39
	3/8	KQ2D10-03S	39.4			43.5						
	1/2	KQ2D10-04S	43.1			45						
	1/4	KQ2D12-02S	41.5			46.5						
12	3/8	KQ2D12-03S	22	20.9	28.5	41.9	47	22	13.9	57.2	45.2	56
	1/2	KQ2D12-04S	45.1			48.5						

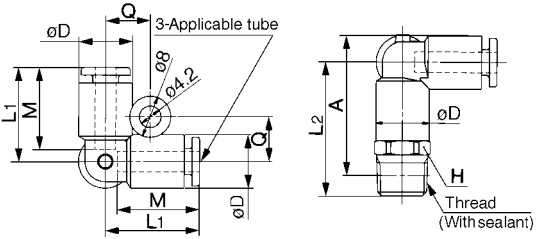
*Reference dimensions after R(PT) thread installation.
Note1) ϕD : max. diameter



<M5, M6>



<R(PT)>

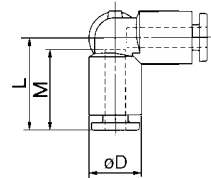
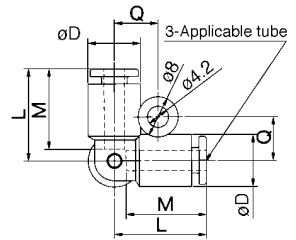


Delta union: KQ2D



Tube O.D. (mm)	Part No.	$\phi D^{(1)}$	L	Q	M	Effective area (mm ²)		Weight (g)
						Nylon	Urethane	
4	KQ2D04-00	10.4	18.5	8.7	16	6.0	4.1	5
6	KQ2D06-00	12.8	20.5	9.9	17	13.9	11.0	7
8	KQ2D08-00	15.2	23.5	11.1	18.5	26.3	18.2	11
10	KQ2D10-00	18.5	26.5	12.8	21	40.8	29.0	19
12	KQ2D12-00	20.9	28.5	13.9	22	57.2	45.2	24

Note1) ϕD : max. diameter



Branch "Y": KQ2U

<M5, M6>



<R(PT)>



Tube O.D. (mm)	Thread R(PT)	Part No.	H (Hex.)	$\phi D^{(1)}$	L	P	A*	M	Effective ⁽²⁾ area (mm ²)		Weight (g)	
									Nylon	Urethane		
3.2	M5	KQ2U23-M5	10	9.6	38	9.6	34.5	15.5	2.2	2.2	9	
	1/8	KQ2U23-01S	11						37	3.4		2.9
	1/4	KQ2U23-02S	14						38	3.4		2.9
4	M5	KQ2U04-M5	11	10.4	40	10.4	36	16	2.2	2.2	4	
	M6	KQ2U04-M6							40	10		
	1/8	KQ2U04-01S							41.1	11		
	1/4	KQ2U04-02S							45.5	20		
6	M5	KQ2U06-M5	13	12.8	42.5	12.8	39	17	2.2	2.2	12	
	M6	KQ2U06-M6							43	11		
	1/8	KQ2U06-01S							44.6	11		
	1/4	KQ2U06-02S							48.5	21		
8	3/8	KQ2U06-03S	17	15.2	51.6	15.2	48.5	18.5	25.6	17.7	34	
	1/8	KQ2U08-01S	49.9									34
	1/4	KQ2U08-02S	55									23
	3/8	KQ2U08-03S	55.4									35
10	1/4	KQ2U10-02S	19	18.5	60.5	18.5	55	21	40	28.4	40	
	3/8	KQ2U10-03S	60.9									40
	1/2	KQ2U10-04S	64.1									65
12	1/4	KQ2U12-02S	22	20.9	64	20.9	58.5	22	57.4	45.4	32	
	3/8	KQ2U12-03S	64.4									40
	1/2	KQ2U12-04S	67.6									65
	3/8	KQ2U16-03S	74.9									106
16	1/2	KQ2U16-04S	27	26.5	78.1	26.5	71	25	81 (81)	113 (96)	111	

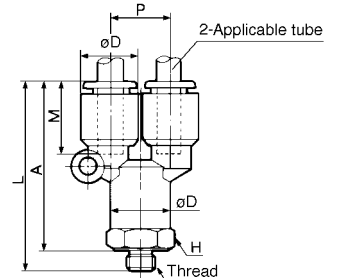
*Reference dimensions after R(PT) thread installation.

Note1) ϕD : max. diameter

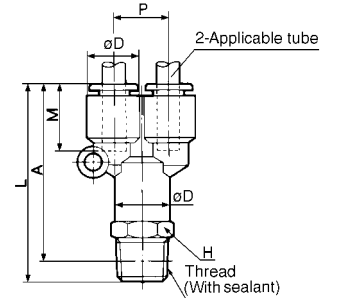
Note2) (): Values for soft nylon



<M5, M6>



<R(PT)>



Delta branch: KQ2UD



Tube O.D. (mm)	Thread R(PT)	Part No.	H (Hex.)	⁽¹⁾ øD		L	I	A*	Q	M	P	Effective area (mm ²)		Weight (g)
				øD1	øD2							Nylon	Urethane	
4	1/8	KQ2UD04-01S	13	10.4	12.8	42.6	21	39.5	9.7	16	10.4	4.2	4.2	17
	1/4	KQ2UD04-02S	14			46.5								
6	1/8	KQ2UD06-01S	17	12.8	15.2	49.6	26	46.5	11.7	17	12.8	13.4	10.6	29
	1/4	KQ2UD06-02S				53								

*Reference dimensions after R(PT) thread installation.
Note1) øD1: max. diameter



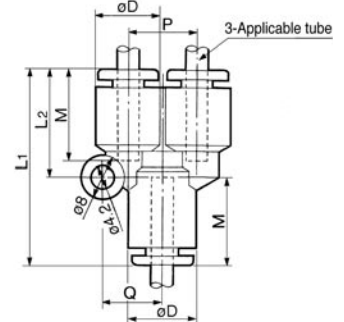
Union "Y": KQ2U



Tube O.D. (mm)	Part No.	⁽¹⁾ øD	L1	L2	P	Q	M	Effective area (mm ²) ⁽²⁾		Weight (g)
								Nylon	Urethane	
3.2	KQ2U23-00	9.6	33	17.5	9.6	9	15.5	3.4	2.9	5
4	KQ2U04-00	10.4	34	18	10.4	9.7	16	4.2	4.2	7
6	KQ2U06-00	12.8	37	20	12.8	11.7	17	13.4	10.6	9
8	KQ2U08-00	15.2	42.5	24.5	15.2	13.7	18.5	25.6	17.7	11
10	KQ2U10-00	18.5	48	27.5	18.5	16.1	21	40	28.4	16
12	KQ2U12-00	20.9	51	30	20.9	18.1	22	57.4	45.4	23
16	KQ2U16-00	26.5	61.5	36.5	26.5	23	25	113	(96)	54



Note1) øD: max. diameter
Note2) (): Values for soft nylon.



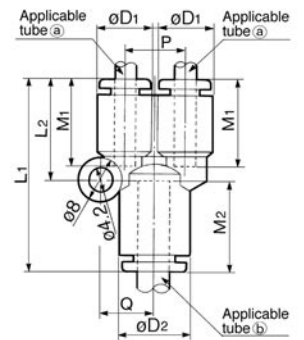
Different diameter union "Y": KQ2U



Tube O.D. (mm)		Part No.	⁽¹⁾ øD		L1	L2	P	Q	M1	M2	Effective area (mm ²)		Weight (g)
a	b		øD1	øD2							Nylon	Urethane	
3.2	4	KQ2U23-04	9.6	10.4	33.5	17.5	9.6	9	15.5	16	3.2	2.7	5
4	6	KQ2U04-06	10.4	12.8	35	18	10.4	9.7	16	17	4.2	4.2	6
6	8	KQ2U06-08	12.8	15.2	39.5	20	12.8	11.7	17	18.5	13.4	10.6	11
8	10	KQ2U08-10	15.2	18.5	45	24.5	15.2	13.7	18.5	21	25.6	17.7	18
10	12	KQ2U10-12	18.5	20.9	49	27.5	18.5	16.1	21	22	40	28.4	27
12	16	KQ2U12-16	26.5	26.5	66.5	41.5	26.5	23	22	25	57.4	45.4	100



Note1) øD1, øD2: max. diameter



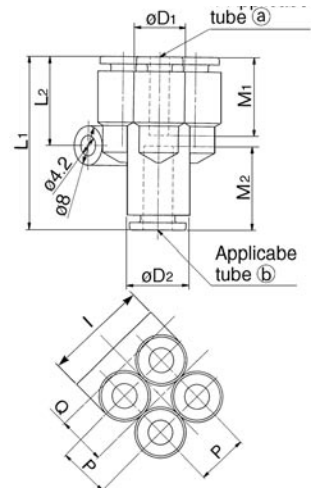
Different diameter double union "Y": KQ2UD



Tube O.D. (mm)		Part No.	⁽¹⁾ øD		L1	L2	P	I	Q	M1	M2	Effective area (mm ²)		Weight (g)
a	b		øD1	øD2								Nylon	Urethane	
4	6	KQ2UD04-06	10.4	12.8	35.5	18.2	10.4	21	9.7	16	17	4.2	4.2	10
6	8	KQ2UD06-08	12.8	15.2	40.5	20.3	12.8	26	11.7	17	18.5	13.4	10.6	17



Note1) øD1, øD2: max. diameter



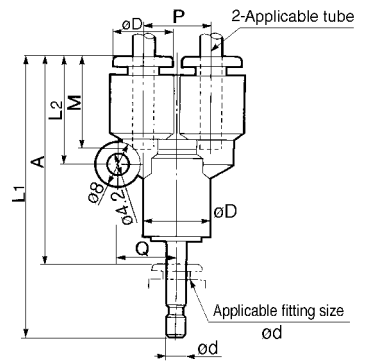
Series KQ2

Plug-in "Y": KQ2U



Tube O.D. (mm)	Fitting size ϕd	Part No.	$\phi D^{(1)}$	L1	L2	P	Q	A	M	Effective area (mm ²) ⁽²⁾		Weight (g)
										Nylon	Urethane	
3.2	3.2	KQ2U23-99	9.6	50	17.5	9.6	9	35	15.5	3.4	2.9	6
4	4	KQ2U04-99	10.4	51.5	18	10.4	9.7	35.5	16	4.2	4.2	12
6	6	KQ2U06-99	12.8	55.5	20	12.8	11.7	38.5	17	13.4	10.6	18
8	8	KQ2U08-99	15.2	64.5	24.5	15.2	13.7	46	18.5	25.6	17.7	21
10	10	KQ2U10-99	18.5	71.5	27.5	18.5	16.1	50.5	21	40	28.4	26
12	12	KQ2U12-99	20.9	75.5	30	20.9	18.1	53.5	22	57.4	45.4	32
16	16	KQ2U16-99	26.5	90	36.5	26.5	23	65	25	113	(96)	78

Note1) ϕD : max. diameter
 Note2) (): Values for soft nylon.

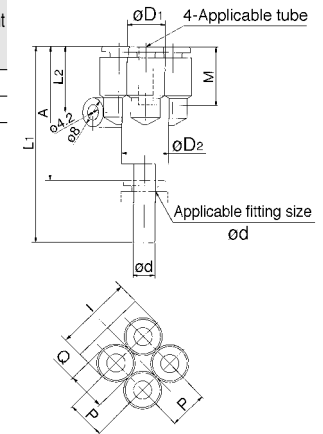


Double plug-in "Y": KQ2XD



Tube O.D. (mm)	Fitting size ϕd	Part No.	$\phi D_1^{(1)}$	ϕD_2	L1	L2	I	Q	A	P	M	Effective area (mm ²)		Weight (g)
												Nylon	Urethane	
4	6	KQ2XD04-06	10.4	12.8	54	18.2	21	9.7	37	10.4	16	4.2	4.2	10
6	8	KQ2XD06-08	12.8	15.2	62.5	20.3	26	11.7	44	12.8	17	13.4	10.6	23

Note1) ϕD_1 : max. diameter

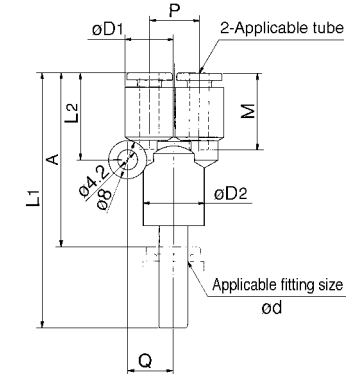


Different diameter plug-in "Y": KQ2X



Tube O.D. (mm)	Fitting size ϕd	Part No.	$\phi D_1^{(1)}$	ϕD_2	L1	L2	A	P	Q	M	Effective area (mm ²)		Weight (g)
											Nylon	Urethane	
4	6	KQ2X04-06	10.4	12.8	53.5	18.5	36.5	10.4	9.7	16	4.2	4.2	7
6	8	KQ2X06-08	12.8	15.2	61.5	20.5	43	12.8	11.7	17	13.4	10.6	18
8	10	KQ2X08-10	15.2	18.5	68.5	24.5	47.5	15.2	13.7	18.5	25.6	17.7	28
10	12	KQ2X10-12	18.5	20.9	73.5	27.5	51.5	18.5	16.1	21	40	28.4	42

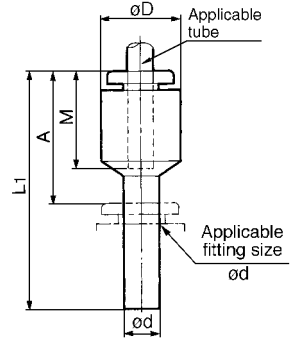
Note1) ϕD_1 : max. diameter



Plug-in reducer: KQ2R



Tube O.D. (mm)	Fitting size ϕ d	Part No.	(1)				Effective (2) area (mm ²)		Weight (g)
			ϕ D	L	A	M	Nylon	Urethane	
3.2	4	KQ2R23-04	9.6	33.5	18.5	15.5	3.4	2.9	2
	6	KQ2R04-06	10.4	34.5	17.5	16	5.6	4	1.8
8	KQ2R04-08	36.5		18	2.0				
4	10	KQ2R04-10	12.8	39.5	18.5	17	4	4	3.3
	4	KQ2R06-04	12.8	37	21				2.5
	8	KQ2R06-08	12.8	37	18.5				13.1
10	KQ2R06-10	39.5		18.5	4.7				
6	12	KQ2R06-12	15.2	42	20	18.5	26.1	18.0	4.0
	4	KQ2R08-04	15.2	41	20				41.5
8	KQ2R08-12	42		20		29.5	42		
10	12	KQ2R10-12	18.5	44.5	23	21	41.5	32.8	33
	16	KQ2R10-16	20.9	50.5	25.5				(29.5)
12	16	KQ2R12-16	20.9	50.5	25.5	22	58.3	(46.1)	37

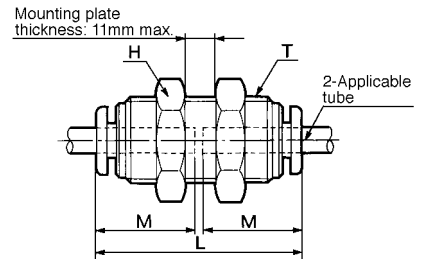


Note1) ϕ D: max. diameter
 Note2) (): Values for soft nylon.

Bulkhead union: KQ2E



Tube O.D. (mm)	Part No.	T (M)	H (Hex.)	L	Mounting hole	M	Effective (1) area (mm ²)		Weight (g)
							Nylon	Urethane	
3.2	KQ2E23-00	M12 X 1	14	31.5	13	15.5	3.4	2.9	26
4	KQ2E04-00	M12 X 1	14	32.5	12	16	5.6	4	26
6	KQ2E06-00	M14 X 1	17	34.5	14	17	13.1	10.4	33
8	KQ2E08-00	M16 X 1	19	38	16	18.5	26.1	18.0	52
10	KQ2E10-00	M20 X 1	24	42.5	20	21	41.5	29.5	70
12	KQ2E12-00	M22 X 1	27	44	22	22	58.3	46.1	90
16	KQ2E16-00	M28 X 1.5	32	51	28	25	113	(96)	115

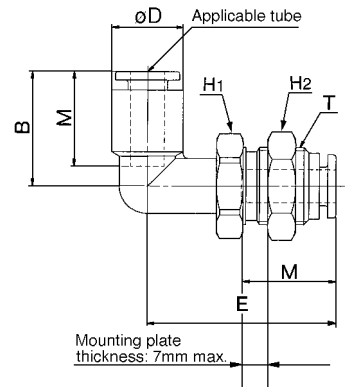


Note1) (): Values for soft nylon.

Bulkhead male elbow: KQ2LE



Tube O.D. (mm)	Part No.	T	H ₁ (Hex.)	H ₂ (Hex.)	B	E	ϕ D (1)	Mounting hole	M	Effective (1) area (mm ²)		Weight (g)
										Nylon	Urethane	
4	KQ2LE04-00	M12 X 1	14	14	18.5	31	10.4	12	16	4.2	4.2	18
6	KQ2LE06-00	M14 X 1	17	17	20.5	34	12.8	14	17	11.4	9.0	25
8	KQ2LE08-00	M16 X 1	17	19	23.5	38.5	15.2	16	18.5	21.6	14.9	33
10	KQ2LE10-00	M20 X 1	22	24	26.5	43.5	18.5	20	21	35.2	25.0	63
12	KQ2LE12-00	M22 X 1	24	27	28.5	45.5	20.9	22	22	50.2	39.7	77

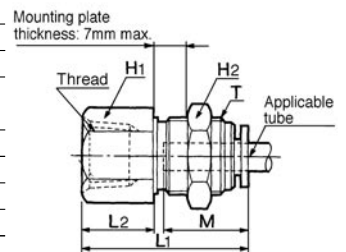


Note1) ϕ D: max. diameter

Bulkhead connector: KQ2E



Tube O.D. (mm)	Thread Rc(PT)	Part No.	T (M)	H ₁ (Hex.)	H ₂ (Hex.)	L ₁	L ₂	Mounting hole	M	Effective (1) area (mm ²)		Weight (g)
										Nylon	Urethane	
3.2	1/4	KQ2E23-02	M12 X 1	17	14	31.5	15	13	15.5	3.4	2.9	13
4	1/8	KQ2E04-01	M12 X 1	14	14	27.5	11	12	16	5.6	4	16
	1/4	KQ2E04-02		31		15	35					
6	1/8	KQ2E06-01	M14 X 1	17	17	28	11	14	17	13.1	10.4	30
	1/4	KQ2E06-02				31.5	15					29
	3/8	KQ2E06-03				33.5	17					29
8	1/8	KQ2E08-01	M16 X 1	17	19	27.5	7.5	16	18.5	26.1	18.0	28
	1/4	KQ2E08-02				33	13					27
	3/8	KQ2E08-03				35	15					48
10	1/4	KQ2E10-02	M20 X 1	22	24	34.5	12.5	20	21	41.5	29.5	53
	3/8	KQ2E10-03				36.5	15					67
12	3/8	KQ2E12-03	M22 X 1	24	27	37	14	22	22	58.3	46.1	92
	1/2	KQ2E12-04				41	18					59
16	3/8	KQ2E16-03	M28 X 1.5	30	32	40	14	28	25	96	(96)	127
	1/2	KQ2E16-04				44	18					113



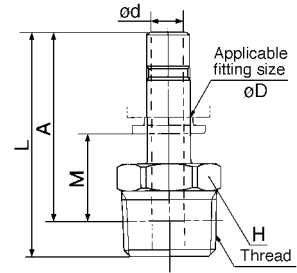
Note1) (): Values for soft nylon.

Series KQ2

Adaptor: KQ2N



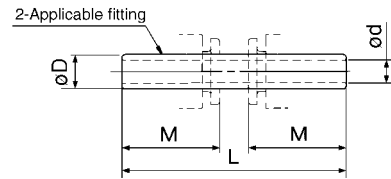
Fitting size øD	Thread R(PT)	Part No.	H (Hex.)	L	A	M	ød	Weight (g)
4	M5	KQ2N04-M5	7	32	29	13	2.5	2
	1/8	KQ2N04-01S	10	33.1	30	14		6
6	M5	KQ2N06-M5	7	33	30	13	2.5	2
	1/8	KQ2N06-01S	10	34.1	31	14		5
6	1/4	KQ2N06-02S	14	37	31.5	14.5	4.5	14
	1/4	KQ2N08-02S	14	38.5	33	14.5		17
8	3/8	KQ2N08-03S	17	39.9	34.5	16	6	30
	3/8	KQ2N10-03S	17	44.9	39.5	18.5		7.5



Nipple: KQ2N



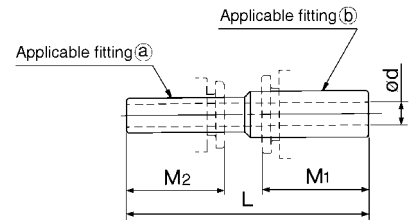
Fitting size øD	Part No.	L	M	ød	Weight (g)
4	KQ2N04-99	37	16	2.5	1
6	KQ2N06-99	39	17	4	2
8	KQ2N08-99	43	18.5	6	2
10	KQ2N10-99	49	21	7.5	4
12	KQ2N12-99	52	22	9	20.6
16	KQ2N16-99	57	25	13	31



Reducer nipple: KQ2N



Fitting size		Part No.	L	M1	M2	ød	Weight (g)
a	b						
4	6	KQ2N04-06	38	17	16	2.5	2
6	8	KQ2N06-08	42	18.5	17	4	2
8	10	KQ2N08-10	47	21	18.5	6	13.2
10	12	KQ2N10-12	51	22	21	8	18.2
12	16	KQ2N12-16	55	25	22	9	29

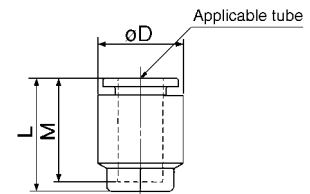


Tube cap: KQ2C

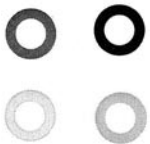


Tube O.D. (mm)	Part No.	øD ⁽¹⁾	L	M	Weight (g)
4	KQ2C04-00	10.4	17	16	3
6	KQ2C06-00	12.8	18.5	17	3
8	KQ2C08-00	15.2	20.5	18.5	4
10	KQ2C10-00	18.5	23	21	6
12	KQ2C12-00	20.9	24	22	8
16	KQ2C16-00	26.5	28	25	13

Note1) øD: max. diameter

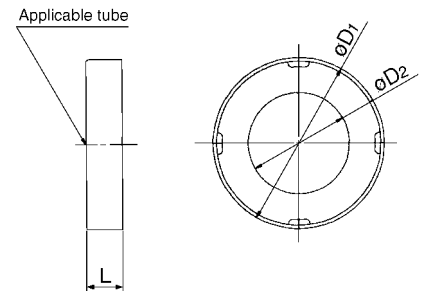


Colour cap: KQ2C



Tube O.D. (mm)	Part No.	øD1	øD2	L	Weight (g)	
4	KQ2C-04□	10.1	5.2	2.9	0.1	
4	KQ2C-04A-□	8.5	5	2.2	0.1	KQH, KQ2H04-M5, M6 KQS, KQ2S04-M5, M6
4	KQ2C-04B-□	9.7	5	2.2	0.1	KQL, KQ2L04-M5, M6 KQT, KQ2T04-M5, M6 KQY, KQ2Y04-M5, M6
6	KQ2C-06□	12.1	7.2	2.9	0.1	
6	KQ2C-06A-□	10.5	7	2.2	0.1	KQH, KQ2H06-M5, M6 KQS, KQ2S06-M5, M6
6	KQ2C-06B-□	12.0	7	2.2	0.1	KQL, KQ2L06-M5, M6 KQT, KQ2T06-M5, M6 KQY, KQ2Y06-M5, M6
8	KQ2C-08□	14.1	9.2		0.1	
10	KQ2C-10□	17.1	11.2	2.9	0.2	
12	KQ2C-12□	19.1	13.2		0.2	
16	KQ2C-16□	26.3	17.2	3.9	0.3	

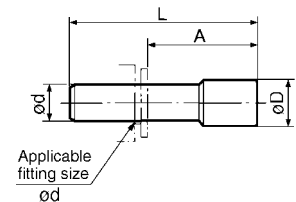
□ → B (black), R (red), YR (orange), BR (brown), Y (yellow), G (green), CB (sky blue), GR (gray), W (white), BU (blue)



Plug: KQ2P, KQP



Fitting size ød	Part No.		øD	L	A	Weight (g)
3.2	KQ2P-23	KQP-23	5	31.5	16	1
4	KQ2P-04	KQP-04	6	32	16	1
6	KQ2P-06	KQP-06	8	35	18	1
8	KQ2P-08	KQP-08	10	39	20.5	2
10	KQ2P-10	KQP-10	12	43	22	3.5
12	KQ2P-12	KQP-12	14	45.5	24	5
16	KQ2P-16	KQP-16	20.9	47	22	8



Note) KQ2P (white), KQP (blue)

Series KQ2

Made to Order

Consult SMC for detailed specifications, dimensions and delivery.



① Oil free applications — Vaseline™ is used as lubricant.

For use in oil free applications, for example, paint air lines.

Specifications — Same as Series KQ2.

Dimensions — Same as Series KQ2.

How to Order — Add “-X12” at the end of the standard part number.

(Example: KQ2H06-02-**X12**)

② Stainless One-touch fittings

For use in highly corrosive atmospheres where brass is not acceptable.

Specifications — Same as series KQ2.

Dimensions — Same as series KQ2.

(Some may be different, consult SMC)

Materials in each part

Body*	SUS□, PBT
Stud*	SUS□ (Thread portion)
Chuck	SUS304
Guide*	SUS□, POM
Collet, Release button	POM
Packing, O ring	NBR

*Every one of SUS303, SUS304 and SUS316 is possible to use.

How to Order — Consult SMC.

