

268
HANDHELD CASES

292
UNIVERSAL
ENCLOSURES

318
HEAVY DUTY
AND ELECTRICAL
ENCLOSURES

342
DESKTOP AND
INSTRUMENT
CASES

348
DEVELOPMENT
BOARD
ENCLOSURES

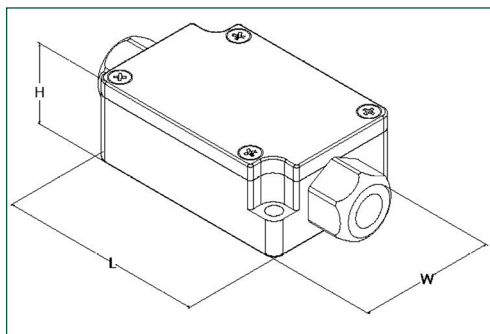
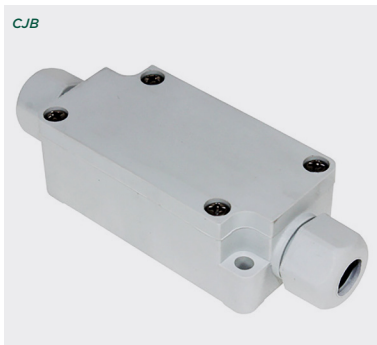
367
ROOM SENSOR
ENCLOSURES

370
CUSTOM SIZED
ENCLOSURES

89 series terminal block junction box

Product overview

- Integrated junction box consisting of cable glands and one terminal block
- IP65 rated
- Available in 3, 4 and 6 poles
- Supplied with 2pcs each of Ø5 and Ø7.4 rubber cable bushes
- Available in light grey or black
- Suitable for industrial applications, power cable joints wiring for motors or sensors
- 89 series has been designed to meet the requirements of IP65



SPECIFICATION

Rated voltage	250V
Rated current	15A
Applicable wire	1.25mm ²
Standard tightening torque	0.5N
Operating temperature	-20°C to +75°C
Material:	
Cover, base and cable cap	PBT (UL94-V0)
Rubber bush	EPDM
Gasket	Polyurethane
Conductive plate	Brass
Terminal screw	Steel M3
Cover screw	Stainless steel M3
Protection class	89 series has been designed to meet the requirements of IP65

BLACK	GREY	LENGTH	WIDTH	HEIGHT	DESCRIPTION
CJB893PBK	CJB893PLG	33mm	65mm	24mm	3 pole
CJB894PBK	CJB894PLG	40mm	60mm	24mm	4 pole
CJB896PBK	CJB896PLG	50mm	70mm	24mm	6 pole

KEY FEATURES

Integrated terminal block | Suitable for industrial applications



PLASTIC ENCLOSURES

338

+44 (0)1638 716101 | sales@camdenboss.com | www.camdenboss.com

We operate a constant improvement policy, our products are subject to change without notice.

Vers 1

