



Piezo switches, plastic, RGB LED illuminated, 22mm

Product overview

Plastic piezo switches offering rugged, sealed tamper and vandal proof solid state switching.

- Exceptional durability and reliability
- Fitted with red, green and blue LEDs for full colour illumination
- 26mm diameter actuator
- 22.5mm diameter mounting hole
- Normally open, momentary action
- Make impulse time of 125-300 msec
- Recessed face
- Wire termination

CPS221F-PLWH-12RGB



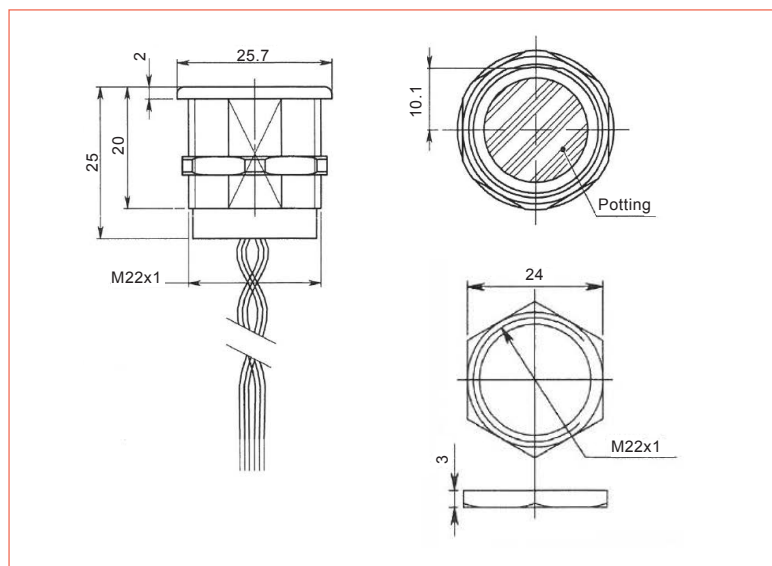
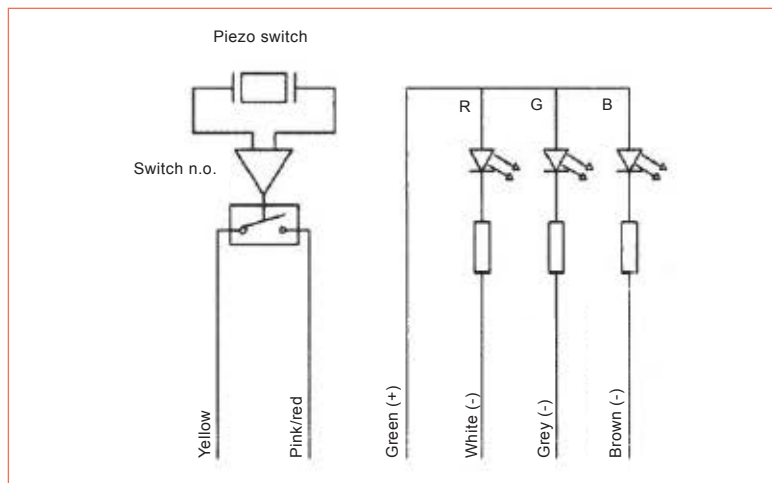
SPECIFICATION

Operating voltage:	1-24V AC/DC	
Switching current	0.2A max	
Actuation force	3-5N	
Operating temperature	20°C to +70°C	
LED operating voltage	12V DC max OR 24V DC max	
LED max current consumption:	(12V)	(24V)
Red	18mA	18mA
Green	9mA	9mA
Blue	26mA	16mA
Ingress protection	IP69	
Lifetime	50 million operations	
Material	POM	

PART NO.

TYPE

CPS221F-PLWH-12RGB	12V DC
CPS221F-PLWH-24RGB	24V DC



178
MICROSWITCHES

182
TACTILE SWITCHES

186
22MM CONTROL
SWITCHES

191
FOOT SWITCHES

193
LIMIT SWITCHES

203
PIEZO SWITCHES
AND KEYPADS

SWITCH

205