


CAMBLOCK

5mm Pitch Standard Profile Terminal Block

- 2-12 pole interlocking
- Moulded in black
UL94V-0 PA Flame retardant PA66
- Wire protector terminals
- 0.3-2mm² (22-14 AWG)
- Guided pin alignment
-  approved

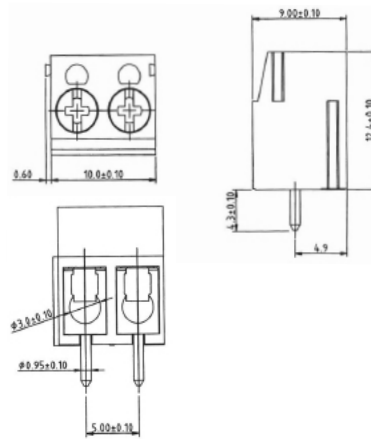
CTB1202/BK



| TYPE NO. | POLES | LENGTH |
|--------------|-------|--------|
| CTB1202/2BK | 2 | 10mm |
| CTB1202/3BK | 3 | 15mm |
| CTB1202/4BK | 4 | 20mm |
| CTB1202/5BK | 5 | 25mm |
| CTB1202/6BK | 6 | 30mm |
| CTB1202/7BK | 7 | 35mm |
| CTB1202/8BK | 8 | 40mm |
| CTB1202/9BK | 9 | 45mm |
| CTB1202/10BK | 10 | 50mm |
| CTB1202/11BK | 11 | 55mm |
| CTB1202/12BK | 12 | 60mm |


SPECIFICATION

| | |
|---------------------------|-------------------------------|
| Rating | 16A 250V |
| Insulation resistance | 5000MΩ/1000V |
| Withstand Voltage | AC1500V/1min |
| Contact Resistance | 20mΩ |
| Working Temperature | -33°C to +120°C |
| Mouldings | UL94-V0 flame retardant PA66 |
| Wire Protector | Stainless steel |
| Screw/Torque | M3 Steel, Nickel Plated 0.4Nm |
| Recommended PCB hole size | ø1.2mm-1.4mm |



PCB
TERMINAL
BLOCKS

5mm Pitch 45° Rising Clamp Terminal

- 2-12 pole interlocking
- Moulded in black
UL94-V0 Flame retardant PA66
- Professional rising clamp terminal
- 0.2-3.3mm² (24-12 AWG)
-  approved

CTB3202



| TYPE NO. | POLES | LENGTH |
|--------------|-------|--------|
| CTB3202/2BK | 2 | 10mm |
| CTB3202/3BK | 3 | 15mm |
| CTB3202/4BK | 4 | 20mm |
| CTB3202/5BK | 5 | 25mm |
| CTB3202/6BK | 6 | 30mm |
| CTB3202/7BK | 7 | 35mm |
| CTB3202/8BK | 8 | 40mm |
| CTB3202/9BK | 9 | 45mm |
| CTB3202/10BK | 10 | 50mm |
| CTB3202/11BK | 11 | 55mm |
| CTB3202/12BK | 12 | 60mm |

SPECIFICATION

| | |
|---------------------------|---------------------------------|
| Rating | 15A 300V |
| Insulation resistance | 5000MΩ/1000V |
| Withstand Voltage | AC2000V/1min |
| Contact Resistance | 20mΩ |
| Working Temperature | -33°C to +120°C |
| Mouldings | UL94-V0 flame retardant PA66 |
| Screw/Torque | M2.5 Steel, Nickel Plated 0.4Nm |
| Recommended PCB hole size | ø1.2mm-1.4mm |

