




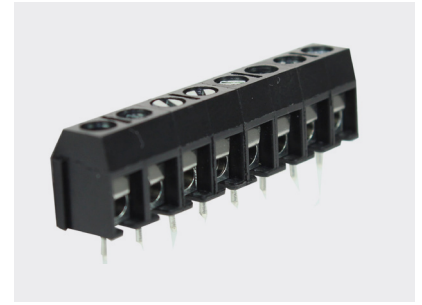
ECONOMY RANGE

5mm pitch low profile terminal blocks

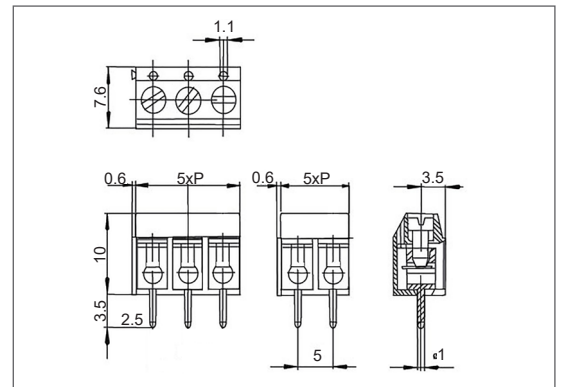
Product overview

- 2-12 pole interlocking
- Moulded in black UL94-V0 flame retardant PA66
- Wire protector terminals
- Guided pin alignment
- 0.3-2 mm² (22-14 AWG)
-  approved

CTB5202



SPECIFICATION		PART NO.	POLES	LENGTH
Rating	16A 250V	CTB5202/2	2	10mm
Insulation resistance	5000M Ω/1000V	CTB5202/3	3	15mm
Withstand voltage	AC1500V/1min	CTB5202/4	4	20mm
Contact resistance	20mΩ (max)	CTB5202/5	5	25mm
Working temperature	-33°C to 120+°C	CTB5202/6	6	30mm
Mouldings	UL94-V0 flame retardant PA66	CTB5202/7	7	35mm
Pin/terminal	Nickel plated brass	CTB5202/8	8	40mm
Wire protector	Stainless steel	CTB5202/9	9	45mm
Screw/torque	M2.5 steel, nickel plated 0.4Nm	CTB5202/10	10	50mm
Recommended PCB hole size	ø1.3mm	CTB5202/11	11	55mm
		CTB5202/12	12	60mm



KEY FEATURES

UL94-V0 PA66 moulding | 120°C maximum working temperature | Interlocking

