



10.16mm pitch very high power rising clamp terminal blocks

Product overview

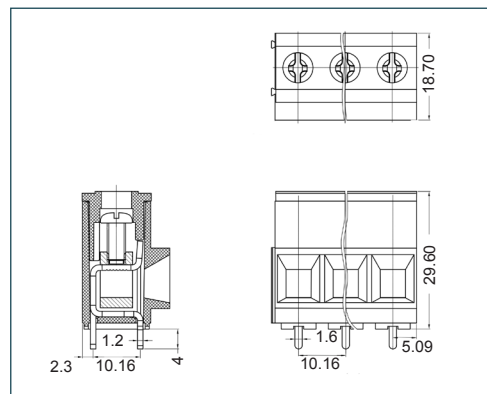
- 2 to 12 pole interlocking terminal block
- Professional rising clamp terminals
- High profile
- Moulded in green UL94-V0 flame retardant PA
- Cable acceptance - 0.6-4.1mm² (22-6 AWG)
- Guided pin alignment
- 57A 750V
-   approved

CTBP77VP



SPECIFICATION	
Rating	UL=52A/300V, VDE=57A/750V
Insulation resistance	500M Ω/500V
Withstand voltage	AC2000V/1min
Contact resistance	20mΩ (max)
Working temperature	-40°C to +105°C
Moulding	UL94-V0 flame retardant PA66
Pin/terminal	Tin plated brass
Rising clamp	Brass, nickel plated
Screw/torque	M4 steel, zinc plated 1.2Nm
Recommended PCB hole size	ø2.4mm

PART NO.	POLES	LENGTH
CTBP77VP/2	2	20.3mm
CTBP77VP/3	3	30.5mm
CTBP77VP/4	4	40.6mm
CTBP77VP/5	5	51mm
CTBP77VP/6	6	61mm
CTBP77VP/7	7	71.1mm
CTBP77VP/8	8	81.3mm
CTBP77VP/9	9	91.4mm
CTBP77VP/10	10	101.6mm
CTBP77VP/11	11	111.8mm
CTBP77VP/12	12	121.9mm



KEY FEATURES

Very high power 57A | Double interlock mechanism | Professional rising clamp

