

# Automotive Fuse-Holders

## Mini-Blade Sealed 30A In-Line

**multicomp** PRO

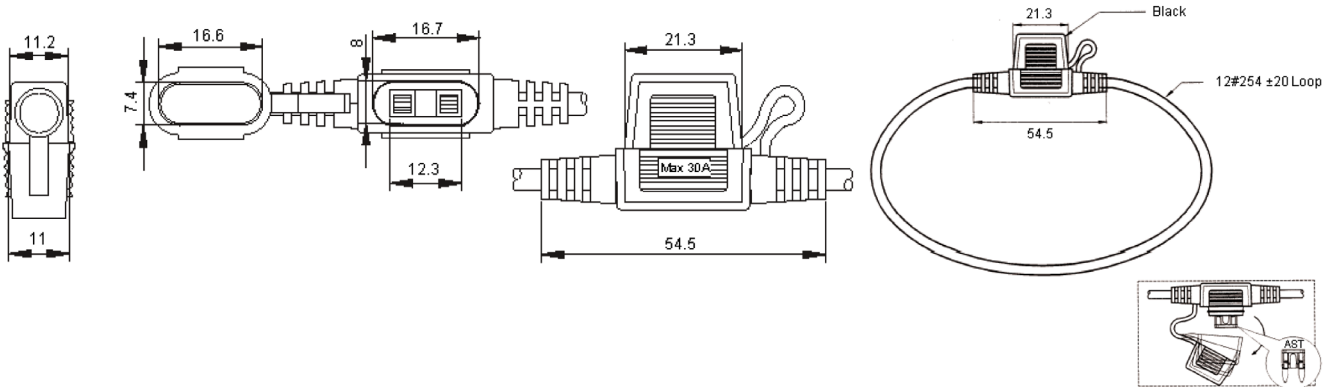


### Specifications

Rated Current	: 30A
Minimum Insulation Resistance	: 1,000MΩ at 500V DC
Contact Resistance	: 5mΩ at 1A DC
Minimum Dielectric Strength	: 1,000V AC for 60 seconds
Body Material	: PVC
Supply Standard Wire-AWG / Length	: 12AWG / 10 inches loop
Heavy Duty Type	: For AST blade type fuses
Contact	: Brass, tin plated

To install fuses with “loop” type wires, simply cut loop into two form separate wires of desired length

### Diagram



Dimensions : Millimetres

### Part Number Table

Description	Part Number
Fuseholder, In-Line, Mini Blade, 30A	MCCQ-211SN

**Important Notice** : This data sheet and its contents (the “Information”) belong to the members of the AVNET group of companies (the “Group”) or are licensed to it. No licence is granted for the use of it other than for information purposes in connection with the products to which it relates. No licence of any intellectual property rights is granted. The Information is subject to change without notice and replaces all data sheets previously supplied. The Information supplied is believed to be accurate but the Group assumes no responsibility for its accuracy or completeness, any error in or omission from it or for any use made of it. Users of this data sheet should check for themselves the Information and the suitability of the products for their purpose and not make any assumptions based on information included or omitted. Liability for loss or damage resulting from any reliance on the Information or use of it (including liability resulting from negligence or where the Group was aware of the possibility of such loss or damage arising) is excluded. This will not operate to limit or restrict the Group’s liability for death or personal injury resulting from its negligence. Multicomp Pro is the registered trademark of Premier Farnell Limited 2019.

Newark.com/multicomp-pro  
 Farnell.com/multicomp-pro  
 Element14.com/multicomp-pro

**multicomp** PRO