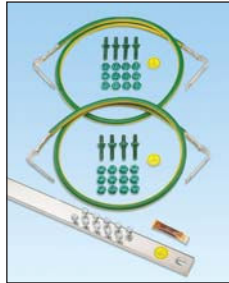
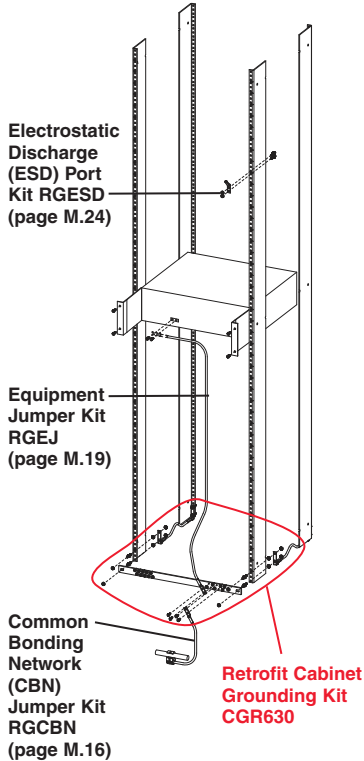




PATENTED

Retrofit Cabinet Grounding Kits

- Provide a dedicated ground system to maintain system performance and protect network equipment when equipment is already installed
- Patented hardware incorporates paint piercing serrations to create a bond point between the cabinet rail, grounding busbar and lug; hardware never needs to be removed for new equipment installations
- Optimized for installation on 19" cabinets that meet EIA-310-D, with functioning equipment, and are deployed in the field
- Provides a complete system of matched components to save cost and labor
- Engineered to comply with US and International grounding requirements



CGR630UB

Part Number	Part Description	Std. Pkg. Qty.
CGR630U	Retrofit grounding kit for installation on cabinets with threaded #12-24 or M6 rail fasteners and rail depth up to 30" (.75m); includes one RGRB19U grounding busbar kit and one CGJ630U front to back rail jumper kit.	1
CGR630UB	Retrofit grounding kit for installation on cabinets with cage nut rail fasteners and rail depth up to 30" (.75m); includes one RGRB19U grounding busbar kit and one CGJ630UB front to back rail jumper kit.	1

A. System Overview

B. Copper Systems

C. Fiber Optic Systems

D. Power over Ethernet

E. Zone Cabling

F. Wireless

G. Outlets

H. Media Distribution

I. Physical Infrastructure Management

J. Overhead & Underfloor Routing

K. Surface Raceway

L. Cabinets, Racks & Cable Management

M. Grounding & Bonding

N. Industrial

O. Labeling & Identification

P. Cable Management Accessories

Q. Index