

3-Channel Ultra High Efficiency Quad-Mode™ LED Driver



FEATURES

- High efficiency 1.33x charge pump
- Quad-mode charge pump: 1x, 1.33x, 1.5x, 2x
- Drives up to 3 LEDs at 32mA each
- 1-wire EZDim™ LED current programming
- Power efficiency up to 92%
- Low noise input ripple in all modes
- “Zero” current shutdown mode
- Soft start and current limiting
- Short circuit protection
- Thermal shutdown protection
- Tiny 12-pad XQFN, 12-pad TDFN and 16-pad TQFN packages

APPLICATION

- LCD Display Backlight
- Cellular Phones
- Digital Still Cameras
- Handheld Devices

ORDERING INFORMATION

| Part Number | Package | Marking |
|----------------|----------------------------------|---------|
| CAT3643HV2-T2 | TDFN-12 3 x 3 ⁽¹⁾ | HABF |
| CAT3643HV2-GT2 | TDFN-12 3 x 3 ⁽²⁾ | HABG |
| CAT3643HV3-T2 | TQFN-16 3 x 3 ⁽¹⁾ | JAAE |
| CAT3643HV3-GT2 | TQFN-16 3 x 3 ⁽²⁾ | JAAF |
| CAT3643HL1-T2 | XQFN-12 2.5 x 2.5 ⁽¹⁾ | LB |

Notes:

- (1) Matte-Tin Plated Finish (RoHS-compliant)
- (2) NiPdAu Plated Finish (RoHS-compliant)
- (3) Quantity per reel is 2000

For Ordering Information details, see page 16.

DESCRIPTION

The CAT3643 is a high efficiency Quad-Mode™ fractional charge pump that can drive up to three LEDs programmable by a one wire digital interface. The inclusion of a 1.33x fractional charge pump mode increases device efficiency by up to 10% over traditional 1.5x charge pumps with no added external capacitors.

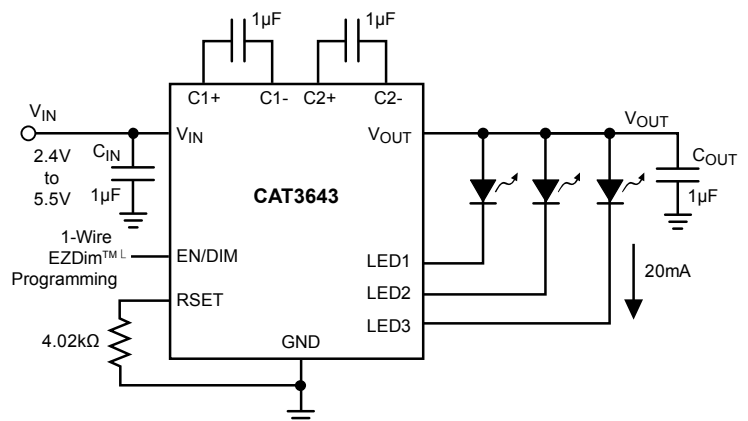
Low noise input ripple is achieved by operating at a constant switching frequency which allows the use of small external ceramic capacitors. The multi-fractional charge pump supports a wide range of input voltages from 2.4V to 5.5V.

The EN/DIM logic input functions as a chip enable and a digital dimming interface for current setting of all LEDs. Six different current ratios are available via the interface.

The device is available in the tiny 12-pad XQFN 2.5 x 2.5mm with max height of 0.4mm or in 16-pad TQFN or 12-pad TDFN 3mm x 3mm package with a max height of 0.8mm.

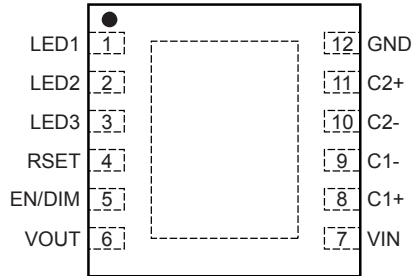
Catalyst Semiconductor’s Quad-Mode™ 1.33x charge pump switching architecture is patented.

TYPICAL APPLICATION CIRCUIT

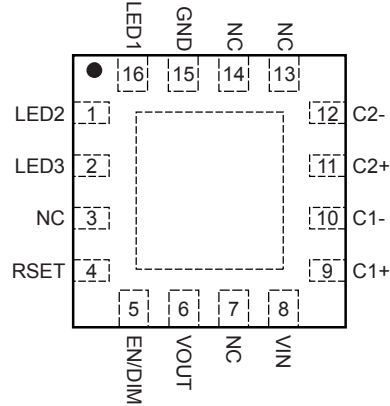


PIN CONFIGURATION

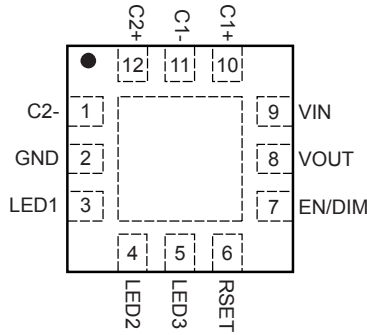
**TDFN 12-Pad 3 x 3mm
(Top View)**



**TQFN 16-Pad 3 x 3mm
(Top View)**



**XQFN 12-Pad 2.5 x 2.5mm
(Top View)**



The CAT3643 is offered in three different packages. The 12-pad TDFN 3mm x 3mm with a max height of 0.8mm is pin-compatible to the Catalyst CAT3603 LED driver. The 12-pad XQFN provides the smallest

footprint with a package size of 2.5mm x 2.5mm and 0.4mm max height. The 16-pad TQFN 3mm x 3mm with max height of 0.8mm is also offered.

ABSOLUTE MAXIMUM RATINGS

| Parameter | Rating | Unit |
|--|-------------|------|
| V _{IN} , LEDx, C1±, C2±, EN/DIM, RSET voltage | 6 | V |
| V _{OUT} voltage | 7 | V |
| Storage Temperature Range | -65 to +160 | °C |
| Junction Temperature Range | -40 to +150 | °C |

RECOMMENDED OPERATING CONDITIONS

| Parameter | Rating | Unit |
|------------------------------|------------|------|
| V _{IN} | 2.5 to 5.5 | V |
| Ambient Temperature Range | -40 to +85 | °C |
| I _{LED} per LED pin | up to 30 | mA |
| LED Forward Voltage Range | 1.3 to 4.3 | V |

Typical application circuit with external components is shown on page 1.

ELECTRICAL OPERATING CHARACTERISTICS

(over recommended operating conditions unless specified otherwise) V_{IN} = 3.6V, EN = High, T_{AMB} = 25°C

| Symbol | Name | Conditions | Min | Typ | Max | Units |
|---|--|--|------|------|------|-------|
| I _Q | Quiescent Current | 1x mode, no load | | 1.0 | | mA |
| | | 1.33x mode, no load | | 1.7 | | mA |
| | | 1.5x mode, no load | | 2.2 | | mA |
| | | 2x mode, no load | | 2.4 | | mA |
| I _{QSHDN} | Shutdown Current | V _{EN} = 0V | | | 1 | µA |
| I _{LED-ACC} | LED Current Accuracy | (I _{LEDAVG} - I _{NOMINAL}) / I _{NOMINAL} RSET = 5kΩ | | ±2 | | % |
| I _{LED-DEV} | LED Channel Matching | (I _{LED} - I _{LEDAVG}) / I _{LEDAVG} | | ±1.5 | | % |
| V _{RSET} | RSET Regulated Voltage | | 0.58 | 0.6 | 0.62 | V |
| R _{OUT} | Output Resistance (open loop) | 1x mode | | 0.8 | | Ω |
| | | 1.33x mode, V _{IN} = 3V | | 5 | | Ω |
| | | 1.5x mode, V _{IN} = 2.7V | | 5 | | Ω |
| | | 2x mode, V _{IN} = 2.4V | | 10 | | Ω |
| F _{OSC} | Charge Pump Frequency | 1.33x and 2x mode | 0.8 | 1 | 1.3 | MHz |
| | | 1.5x mode | 1 | 1.3 | 1.6 | MHz |
| I _{SC_MAX} | Output short circuit Current Limit | V _{OUT} < 0.5V | | 50 | | mA |
| I _{IN_MAX} | Input Current Limit | V _{OUT} > 1V | | 250 | | mA |
| LED _{TH} | 1x to 1.33x or 1.33x to 1.5x or 1.5x to 2x Transition Thresholds at any LED pin | | | 130 | | mV |
| V _{HYS} | 1x Mode Transition Hysteresis | | | 400 | | mV |
| T _{DF} | Transition Filter Delay | | | 500 | | µs |
| R _{EN/DIM} V _{HI} V _{LO} | EN/DIM Pin • Internal Pull-down Resistor • Logic High Level • Logic Low Level | | 1.3 | 100 | 0.4 | kΩ |
| | | | | | | V |
| | | | | | | V |
| T _{SD} | Thermal Shutdown | | | 150 | | °C |
| T _{HYS} | Thermal Hysteresis | | | 20 | | °C |
| V _{UVLO} | Undervoltage lockout (UVLO) threshold | | 1.6 | 1.8 | 2.0 | V |

RECOMMENDED EN/DIM TIMING

For $2.4V \leq V_{IN} \leq 5.5V$, over full ambient temperature range $-40^{\circ}C$ to $+85^{\circ}C$.

| Symbol | Name | Conditions | Min | Typ | Max | Units |
|---------------------|-----------------------------|------------|-----|-----|-----|-------|
| T _{SETUP} | EN/DIM setup from shutdown | | 10 | | | μs |
| T _{LO} | EN/DIM program low time | | 0.2 | | 100 | μs |
| T _{HI} | EN/DIM program high time | | 0.2 | | | μs |
| T _{PWRDWN} | EN/DIM low time to shutdown | | 1.5 | | | ms |
| T _{LED} | LED current settling time | | | 40 | | μs |

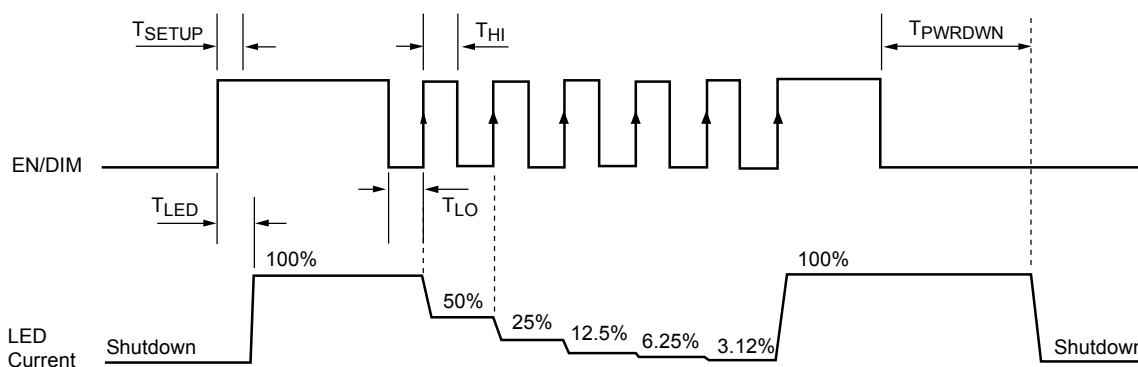


Figure 1. EN/DIM Digital Dimming Timing Diagram

LED Current Setting

The nominal LED current is set by the external resistor connected between the RSET pin and ground. Table 1 lists standard resistor values for several LED current settings.

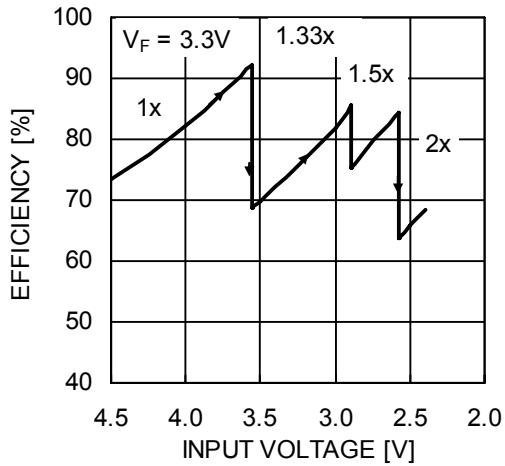
| LED Current (mA) | RSET (kΩ) |
|------------------|-----------|
| 2 | 40.0 |
| 5 | 15.8 |
| 10 | 7.87 |
| 15 | 5.23 |
| 20 | 4.02 |
| 25 | 3.16 |
| 30 | 2.67 |

Table 1. Resistor RSET and LED Current

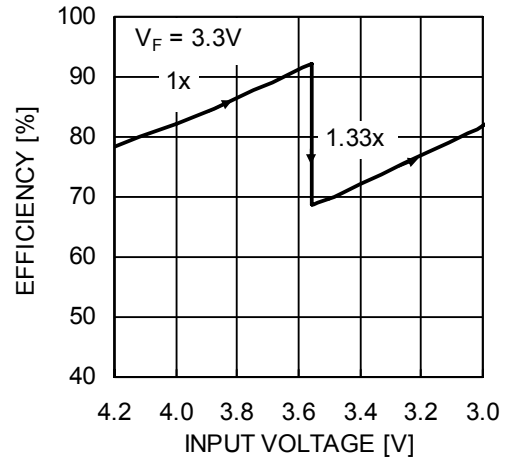
TYPICAL PERFORMANCE CHARACTERISTICS

$V_{IN} = 3.6V$, $I_{OUT} = 60mA$ (3 LEDs at 20mA), $C_{IN} = C_{OUT} = C_1 = C_2 = 1\mu F$, $T_{AMB} = 25^\circ C$ unless otherwise specified.

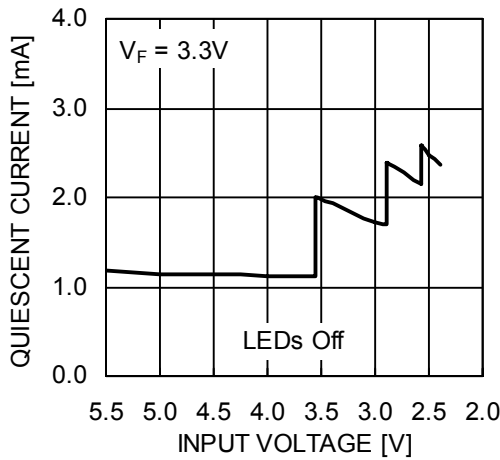
Efficiency vs. Input Voltage



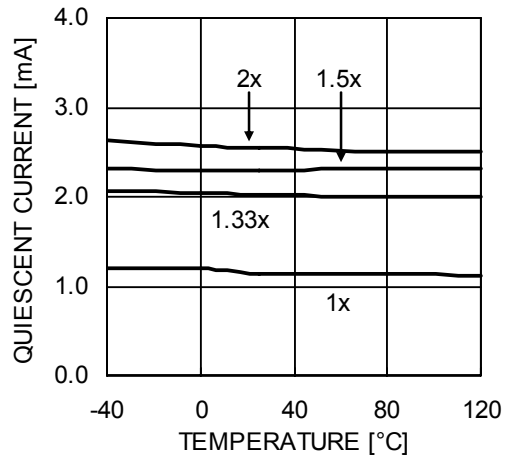
Efficiency vs. Li-Ion Voltage



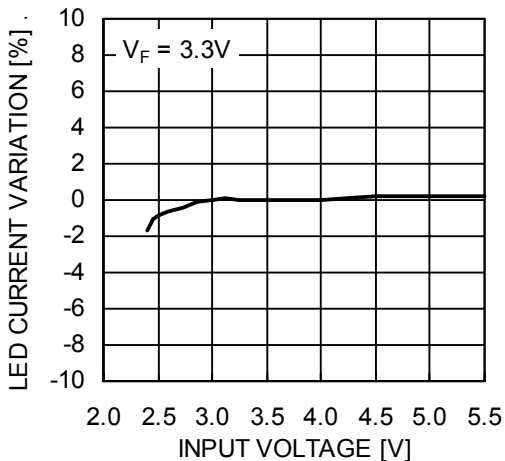
Quiescent Current vs. Input Voltage



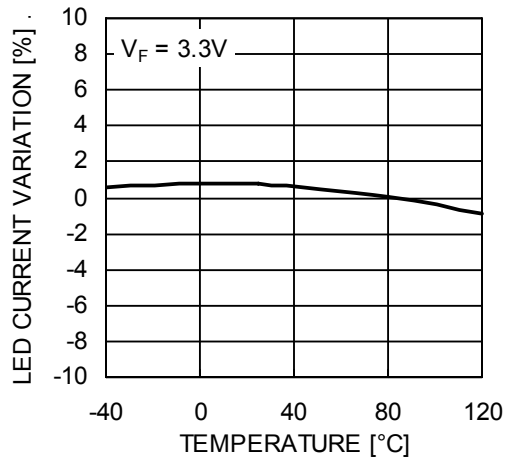
Quiescent Current vs. Temperature



LED Current Change vs. Input Voltage



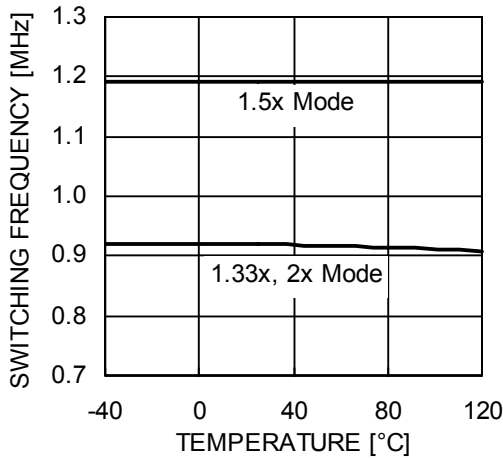
LED Current Change vs. Temperature



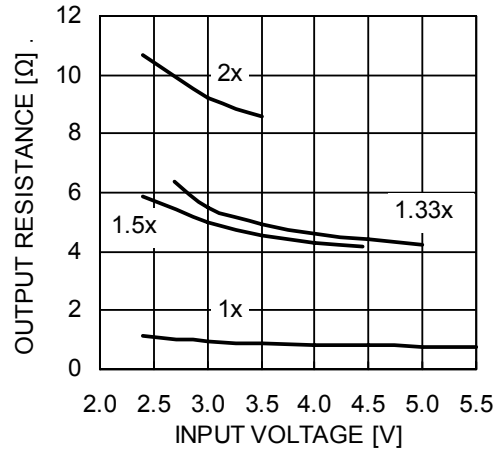
TYPICAL PERFORMANCE CHARACTERISTICS

$V_{IN} = 3.6V$, $I_{OUT} = 60mA$ (3 LEDs at 20mA), $C_{IN} = C_{OUT} = C_1 = C_2 = 1\mu F$, $T_{AMB} = 25^{\circ}C$ unless otherwise specified.

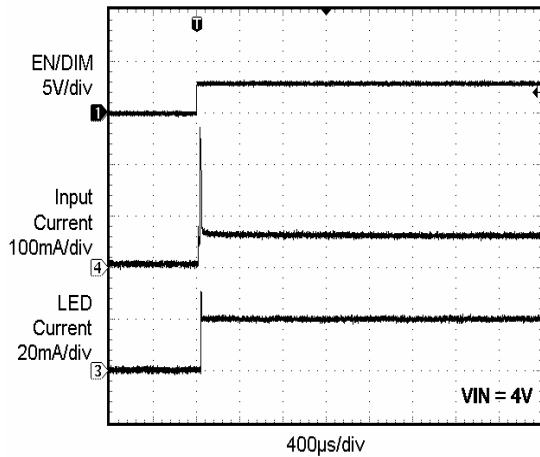
Switching Frequency vs. Temperature



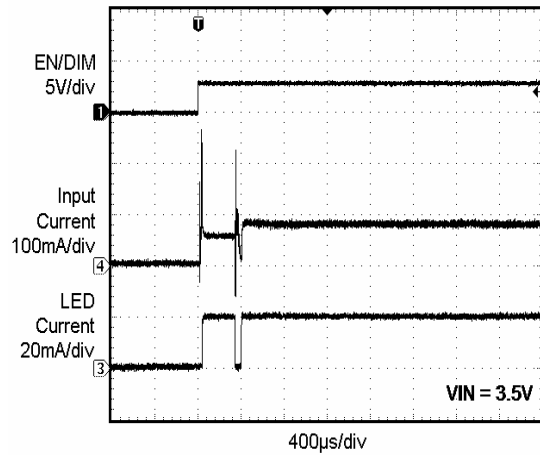
Output Resistance vs. Input Voltage



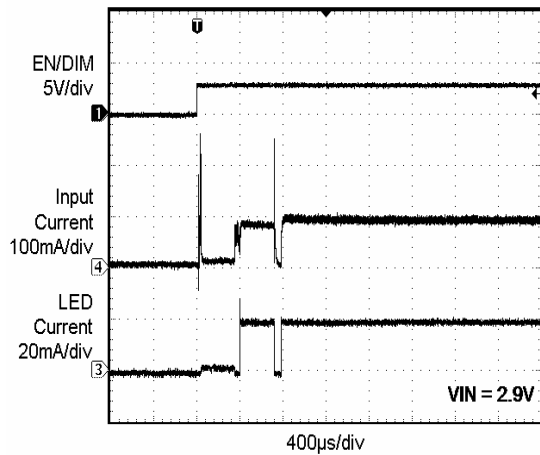
Power Up in 1x Mode



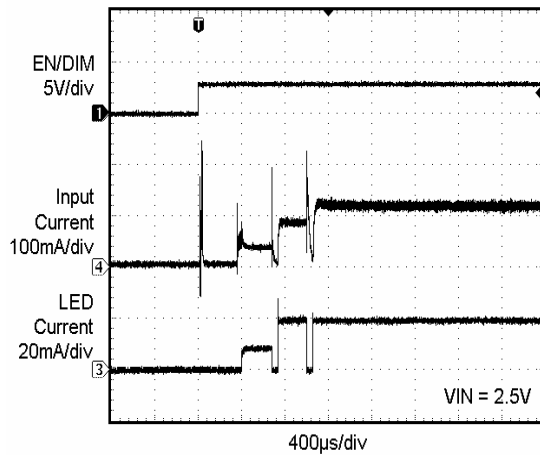
Power Up in 1.33x Mode



Power Up in 1.5x Mode



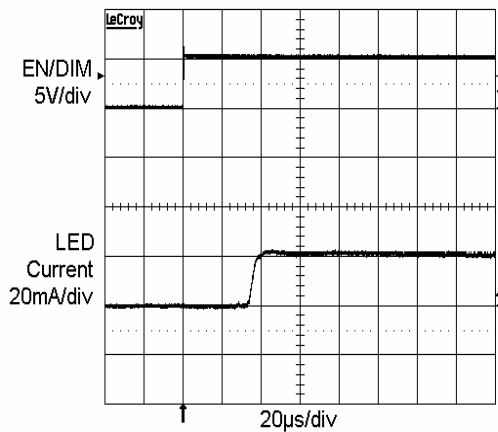
Power Up in 2x Mode



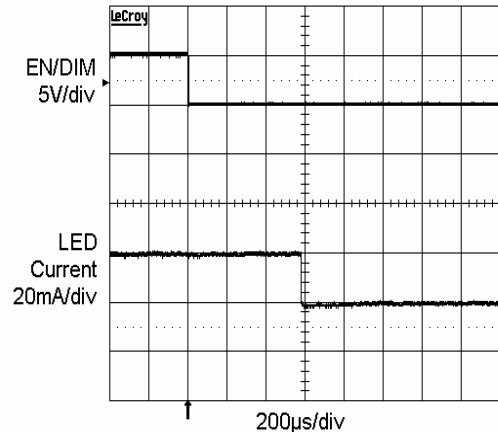
TYPICAL PERFORMANCE CHARACTERISTICS

$V_{IN} = 3.6V$, $I_{OUT} = 60mA$ (3 LEDs at 20mA), $C_{IN} = C_{OUT} = C_1 = C_2 = 1\mu F$, $T_{AMB} = 25^\circ C$ unless otherwise specified.

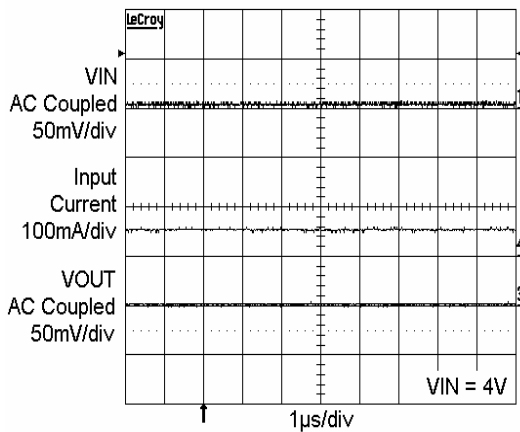
Power Up Delay (1x Mode)



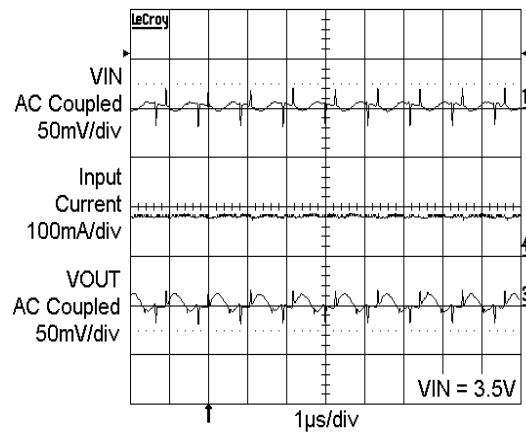
Power Down Delay (1x Mode)



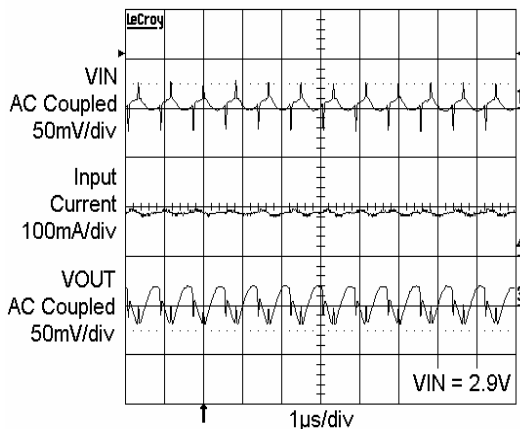
Operating Waveforms in 1x Mode



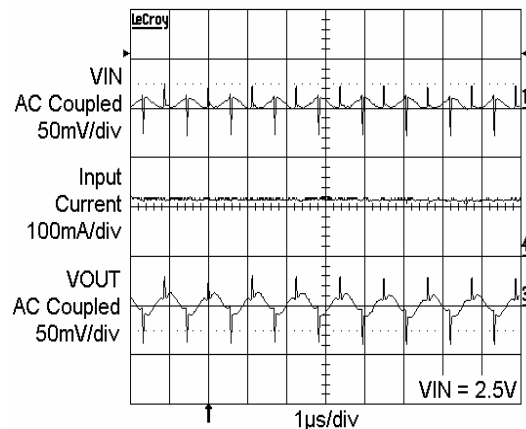
Switching Waveforms in 1.33x Mode



Switching Waveforms in 1.5x Mode



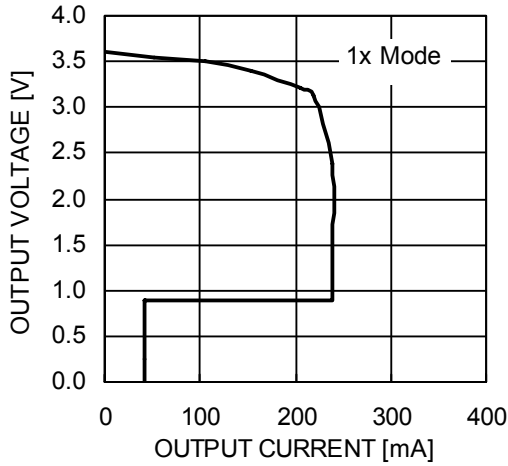
Switching Waveforms in 2x Mode



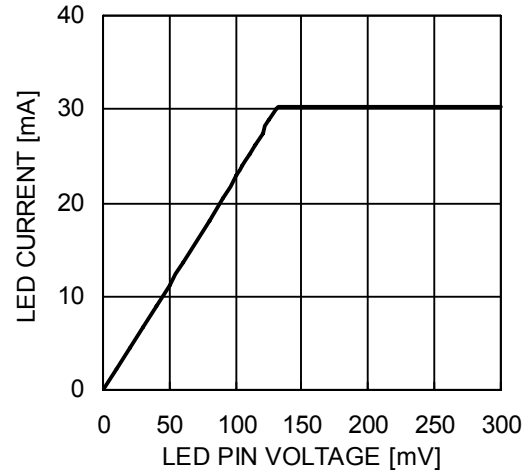
TYPICAL PERFORMANCE CHARACTERISTICS

$V_{IN} = 3.6V$, $I_{OUT} = 60mA$ (3 LEDs at 20mA), $C_{IN} = C_{OUT} = C_1 = C_2 = 1\mu F$, $T_{AMB} = 25^{\circ}C$ unless otherwise specified.

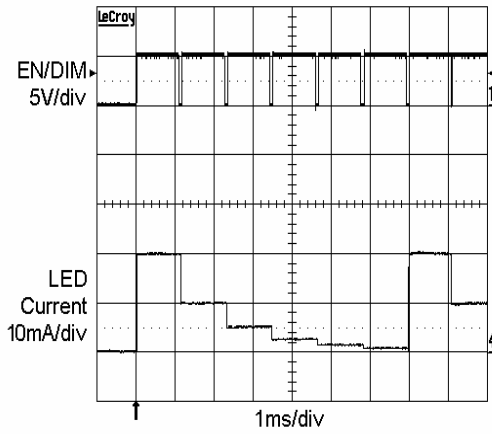
Foldback Current Limit



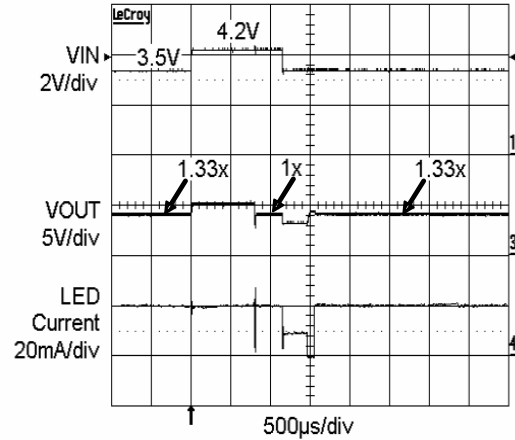
LED Current vs. LED Pin Voltage



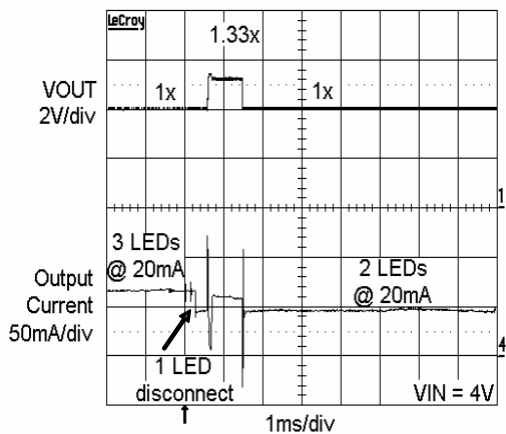
Dimming Waveform



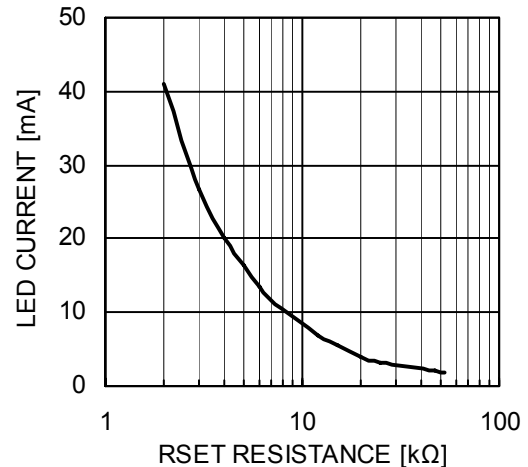
Line Transient Response



Disconnecting a Single LED



LED Current vs. RSET



PIN DESCRIPTION

| Name | Function |
|--------|--|
| LED1 | LED1 cathode terminal. |
| LED2 | LED2 cathode terminal. |
| LED3 | LED3 cathode terminal. |
| RSET | Connect resistor RSET to set the LED current. |
| EN/DIM | Device enable (active high) and Dimming Control. |
| VOUT | Charge pump output connected to the LED anodes. |
| VIN | Charge pump input, connect to battery or supply. |
| C1+ | Bucket capacitor 1 Positive terminal |
| C1- | Bucket capacitor 1 Negative terminal |
| C2+ | Bucket capacitor 2 Positive terminal |
| C2- | Bucket capacitor 2 Negative terminal |
| GND | Ground Reference |
| NC | Not connected inside package. |
| GND | Connect to GND on the PCB. |

PIN FUNCTION

VIN is the supply pin for the charge pump. A small 1 μ F ceramic bypass capacitor is required between the VIN pin and ground near the device. The operating input voltage range is from 2.5V to 5.5V. Whenever the input supply falls below the under-voltage threshold (1.8V), all the LED channels are disabled and the device enters shutdown mode.

EN/DIM is the enable and one wire dimming input for all LED channels. Levels of logic high and logic low are set at 1.3V and 0.4V respectively. When EN/DIM is initially taken high, the device becomes enabled and all LED currents are set to the full scale according to the resistor R_{SET}. To place the device into “zero current” shutdown mode, the EN/DIM pin must be held low for at least 1.5ms.

VOUT is the charge pump output that is connected to the LED anodes. A small 1 μ F ceramic bypass capacitor is required between the VOUT pin and ground near the device.

GND is the ground reference for the charge pump. The pin must be connected to the ground plane on the PCB.

C1+, C1- are connected to each side of the ceramic bucket capacitor C₁.

C2+, C2- are connected to each side of the ceramic bucket capacitor C₂.

LED1, LED2, LED3 provide the internal regulated current sources for each of the LED cathodes. These pins enter high-impedance zero current state whenever the device is placed in shutdown mode.

TAB is the exposed pad underneath the package. For best thermal performance, the tab should be soldered to the PCB and connected to the ground plane.

RSET is connected to the resistor (R_{SET}) to set the full scale current for the LEDs. The voltage at this pin regulated to 0.6V. The ground side of the external resistor should be star connected back to the GND of the PCB. In shutdown mode, RSET becomes high impedance.

BLOCK DIAGRAM

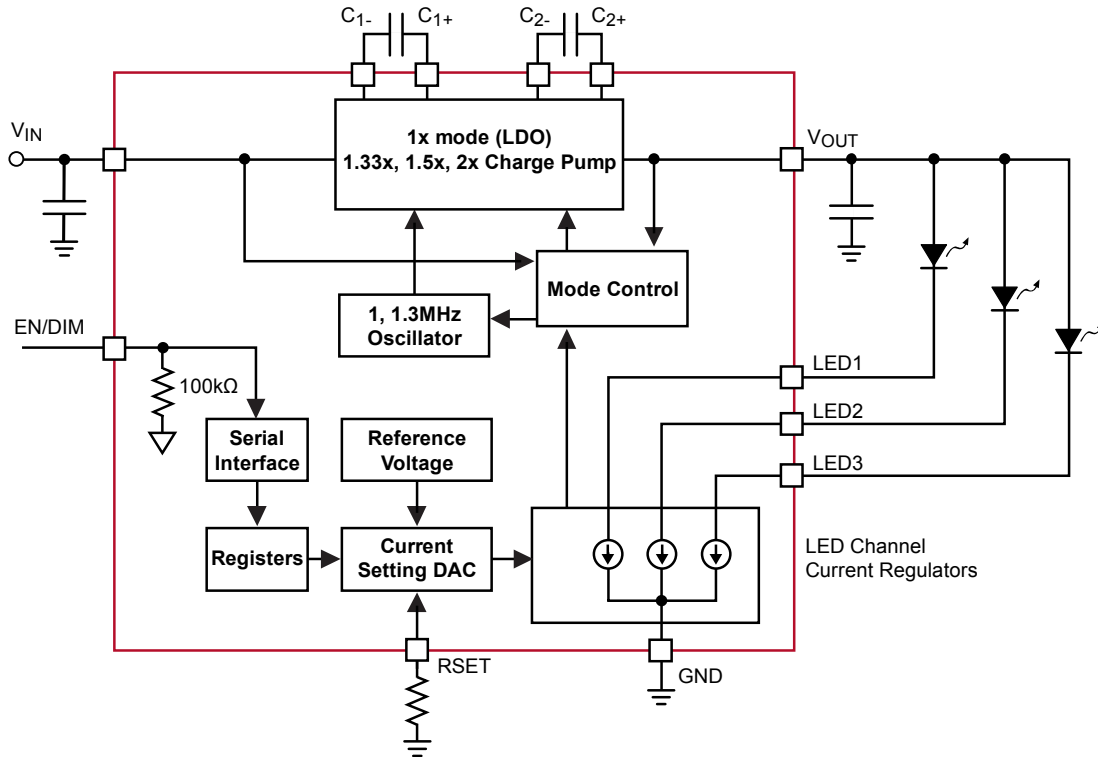


Figure 2. CAT3643 Functional Block Diagram

BASIC OPERATION

At power-up, the CAT3643 starts operating in 1x mode where the output will be approximately equal to the input supply voltage (less any internal voltage losses). If the output voltage is sufficient to regulate all LED currents, the device remains in 1x operating mode.

If the input voltage is insufficient or falls to a level where the regulated currents cannot be maintained, the device automatically switches into 1.33x mode (after a fixed delay time of about 400µs). In 1.33x mode, the output voltage is approximately equal to 1.33 times the input supply voltage (less any internal voltage losses).

The above sequence repeats in the 1.33x and 1.5x mode until the driver enters the 2x mode. In 1.5x mode, the output voltage is approximately equal to 1.5 times the input supply voltage. While in 2x mode, the output is approximately equal to 2 times the input supply voltage.

If the device detects a sufficient input voltage is present to drive all LED currents in 1x mode, it will change automatically back to 1x mode. This only applies for changing back to the 1x mode. The difference between the input voltage when exiting 1x mode and returning to 1x mode is called the 1x mode transition hysteresis (V_{HYS}) and is about 500mV.

LED Current Selection

At power-up, the initial LED current is set to full scale (100% brightness) by the external resistor R_{SET} as follows:

$$\text{LED current} = 132 \times \frac{0.6V}{R_{SET}}$$

The EN/DIM pin has two primary functions. One function enables and disables the device. The other function is LED current dimming with six different

levels by pulsing the input signal, as shown on Figure 3. On each consecutive pulse rising edge, the LED current is divided by half to 50%, then 25%, 12.5%, 6.25% and 3.125% dimming levels.

Pulses faster than the minimum T_{LO} may be ignored and filtered by the device. Pulses longer than the maximum T_{LO} may shutdown the device.

The LED driver enters a “zero current” shutdown mode if EN/DIM is held low for 1.5ms or more.

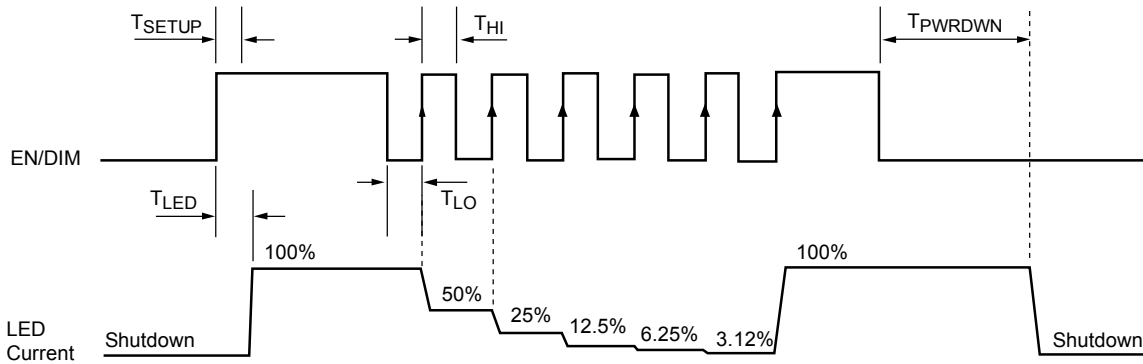


Figure 3. EN/DIM Digital Dimming Timing Diagram

Table 1. LED Current Dimming Levels

| EN/DIM # of Pulses * | R_{SET} Gain | LED Current |
|----------------------|---------------------------------------|-----------------------------|
| EN = High | 132 | $132 \times 0.6V/R_{SET}$ |
| 1 st | 66 | $66 \times 0.6V/R_{SET}$ |
| 2 nd | 33 | $33 \times 0.6V/R_{SET}$ |
| 3 rd | 16.5 | $16.5 \times 0.6V/R_{SET}$ |
| 4 th | 8.25 | $8.25 \times 0.6V/R_{SET}$ |
| 5 th | 4.125 | $4.125 \times 0.6V/R_{SET}$ |
| 6 th | 132 | $132 \times 0.6V/R_{SET}$ |
| x th | Device cycling through gain selection | $GAIN \times 0.6V/R_{SET}$ |

* The gain is changed on the rising edges of the EN/DIM input.

Unused LED Channels

For applications not requiring all the channels, it is recommended the unused LED pins be tied directly to V_{OUT} (see Figure 4).

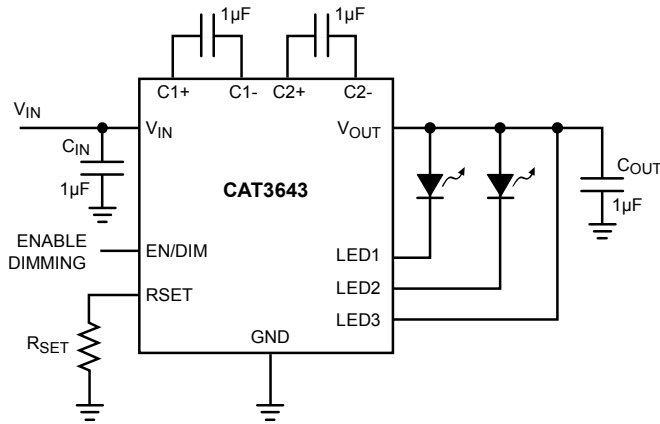


Figure 4. Application with 2 LEDs

Protection Mode

If an LED is disconnected, the driver senses that and automatically ignores that channel. When all LEDs are disconnected, the driver goes to 1x mode where the output is equal to the input voltage.

As soon as the output exceeds about 6V, the driver resets itself and reevaluate the mode.

If the die temperature exceeds +150°C, the driver will enter a thermal protection shutdown mode. When the device temperature drops by about 20°C, the device will resume normal operation.

LED Selection

LEDs with forward voltages (V_F) ranging from 1.3V to 4.3V may be used. Selecting LEDs with lower V_F is recommended in order to improve the efficiency by keeping the driver in 1x mode longer as the battery voltage decreases.

For example, if a white LED with a V_F of 3.3V is selected over one with V_F of 3.5V, the driver will stay in 1x mode for lower supply voltage of 0.2V. This helps improve the efficiency and extends battery life.

External Components

The driver requires four external 1µF ceramic capacitors for decoupling input, output, and for the charge pump. Both capacitors type X5R and X7R are recommended for the LED driver application. In all charge pump modes, the input current ripple is kept very low by design and an input bypass capacitor of 1µF is sufficient.

In 1x mode, the device operates in linear mode and does not introduce switching noise back onto the supply.

Recommended Layout

In charge pump mode, the driver switches internally at a high frequency. It is recommended to minimize trace length to all four capacitors. A ground plane should cover the area under the driver IC as well as the bypass capacitors. Short connection to ground on capacitors C_{IN} and C_{OUT} can be implemented with the use of multiple via. A copper area matching the TQFN exposed pad (TAB) must be connected to the ground plane underneath. The use of multiple via improves the package heat dissipation.

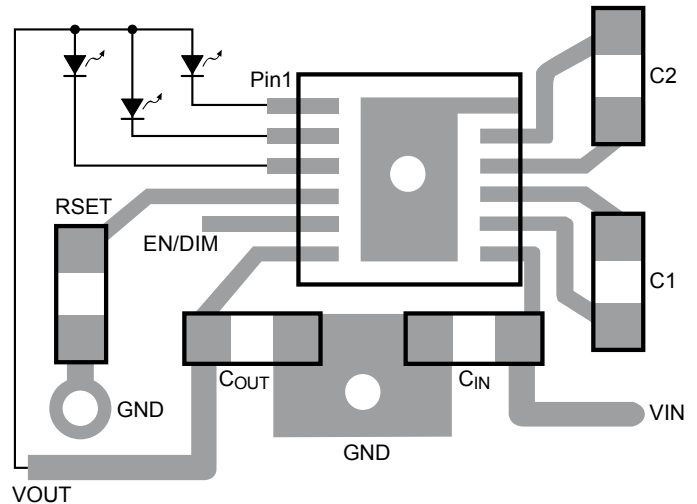
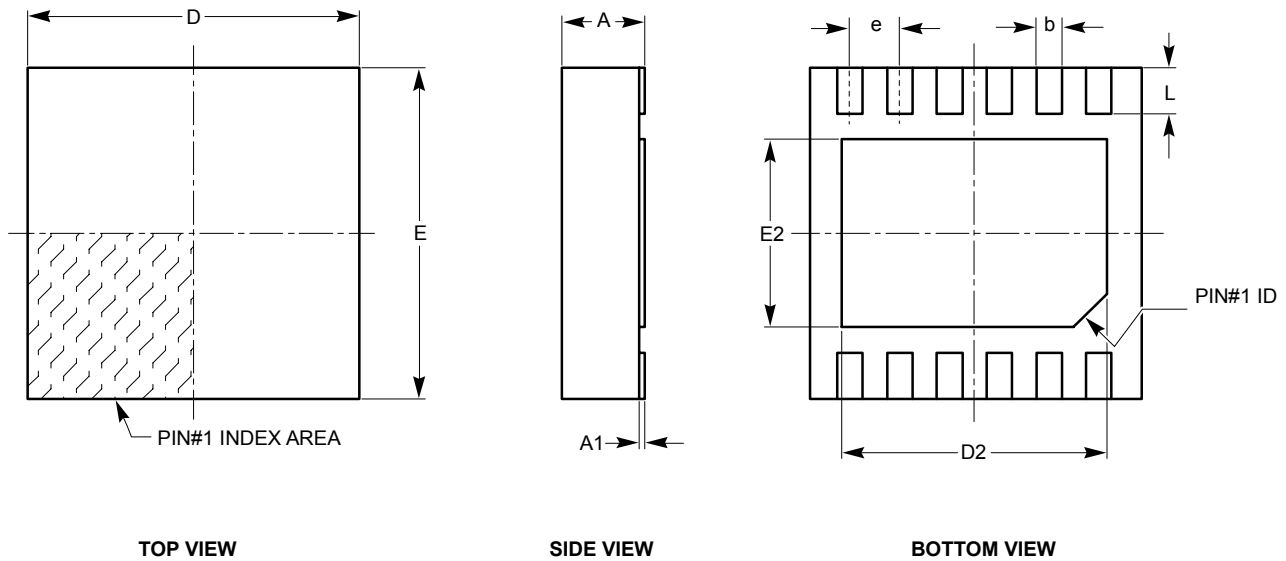


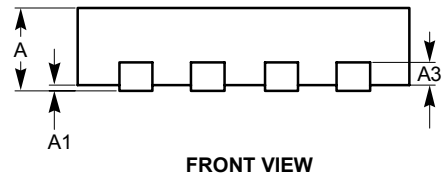
Figure 5. TDFN-12 Recommended Layout

PACKAGE OUTLINE DRAWING

TDFN 12-Pad 3 x 3mm (HS2, HV2) ⁽¹⁾⁽²⁾



| SYMBOL | MIN | NOM | MAX |
|--------|----------|-------|-------|
| A | 0.70 | 0.75 | 0.80 |
| A1 | 0.00 | 0.02 | 0.05 |
| A3 | 0.178 | 0.203 | 0.228 |
| b | 0.18 | 0.23 | 0.30 |
| D | 2.90 | 3.00 | 3.10 |
| D2 | 2.30 | 2.40 | 2.50 |
| E | 2.90 | 3.00 | 3.10 |
| E2 | 1.55 | 1.70 | 1.75 |
| e | 0.45 BSC | | |
| L | 0.30 | 0.40 | 0.50 |

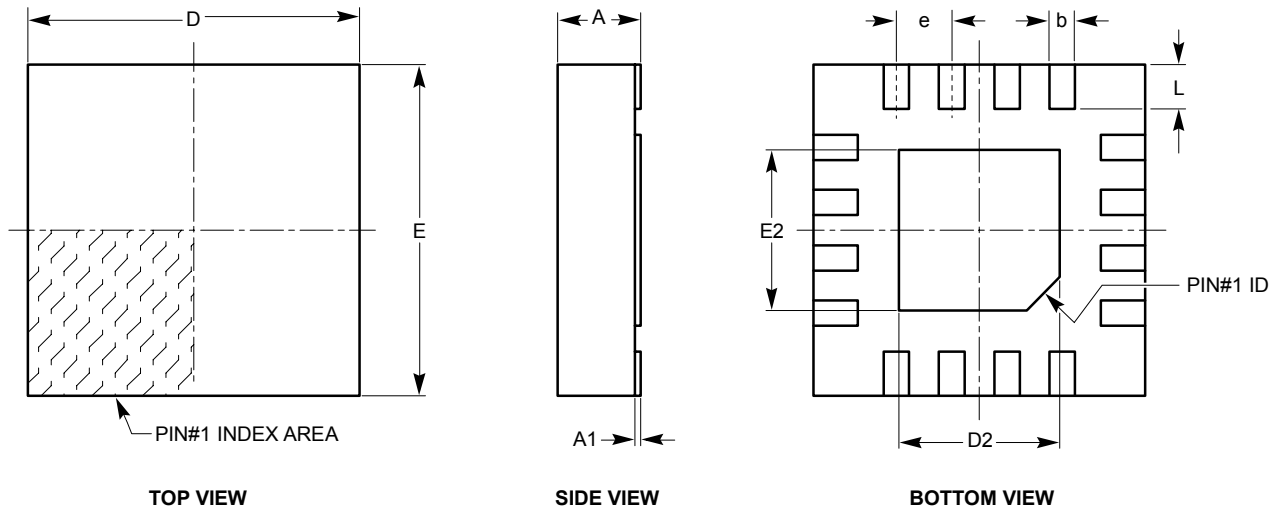


**For current Tape and Reel information, download the PDF file from:
<http://www.catsemi.com/documents/tapeandreel.pdf>.**

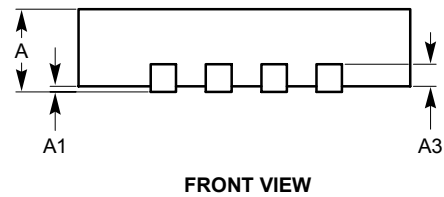
Notes:

- (1) All dimensions are in millimeters. Angles in degrees.
- (2) Complies with JEDEC standard MO-229.

TQFN 16-Pad 3 x 3mm (HS3, HV3) ⁽¹⁾⁽²⁾



| SYMBOL | MIN | NOM | MAX |
|--------|----------|-------|-------|
| A | 0.70 | 0.75 | 0.80 |
| A1 | 0.00 | 0.02 | 0.05 |
| A3 | 0.178 | 0.203 | 0.228 |
| b | 0.18 | 0.23 | 0.30 |
| D | 2.90 | 3.00 | 3.10 |
| D2 | 1.40 | - | 1.80 |
| E | 2.90 | 3.00 | 3.10 |
| E2 | 1.40 | - | 1.80 |
| e | 0.50 BSC | | |
| L | 0.30 | 0.40 | 0.50 |

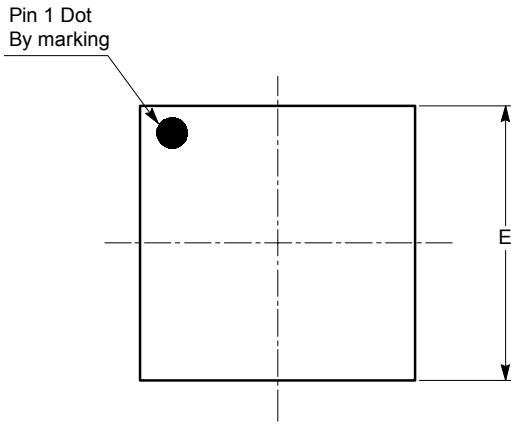


For current Tape and Reel information, download the PDF file from:
<http://www.catsemi.com/documents/tapeandreel.pdf>.

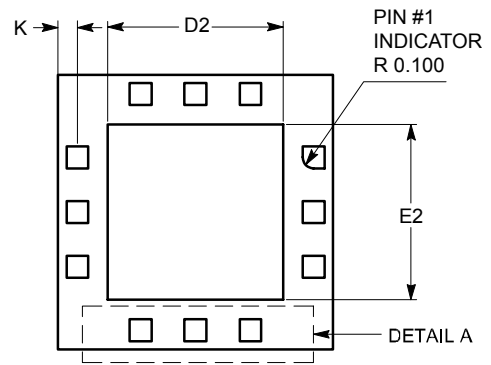
Notes:

- (1) All dimensions are in millimeters. Angles in degrees.
- (2) Complies with JEDEC standard MO-229.

XQFN 12-Pad 2.5 x 2.5mm with 0.4mm max height (HL1) ⁽¹⁾⁽²⁾

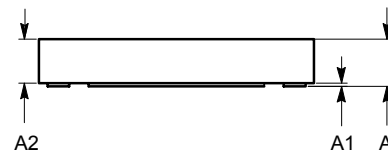


TOP VIEW

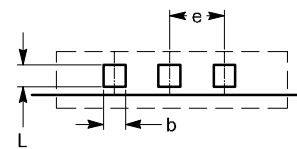


BOTTOM VIEW

| SYMBOL | MIN | NOM | MAX |
|--------|----------|-------|-------|
| A | 0.36 | | 0.40 |
| A1 | 0.00 | | 0.01 |
| A2 | 0.36 | | 0.39 |
| b | 0.17 | 0.20 | 0.23 |
| D | 2.45 | 2.50 | 2.55 |
| D2 | 1.55 | 1.60 | 1.65 |
| E | 2.45 | 2.50 | 2.55 |
| e | 0.50 BSC | | |
| E2 | 1.55 | 1.60 | 1.65 |
| L | 0.17 | 0.20 | 0.23 |
| K | 0.145 | 0.175 | 0.205 |



SIDE VIEW



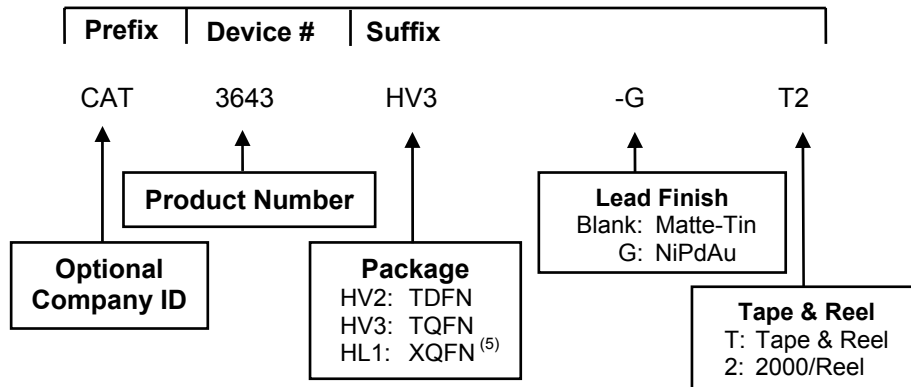
DETAIL A

**For current Tape and Reel information, download the PDF file from:
<http://www.catsemi.com/documents/tapeandreel.pdf>.**

Notes:

- (1) All dimensions are in millimeters. Angles in degrees.
- (2) Complies with JEDEC standard MO-220.

EXAMPLE OF ORDERING INFORMATION



Notes:

- (1) All packages are RoHS-compliant (Lead-free, Halogen-free).
- (2) The standard finish is NiPdAu.
- (3) The device used in the above example is a CAT3643HV3–GT2 (TQFN, NiPdAu, Tape & Reel).
- (4) For additional package and temperature options, please contact your nearest Catalyst Semiconductor Sales office.
- (5) XQFN package is only available in Matte-Tin finish.

REVISION HISTORY

| Date | Rev. | Reason |
|------------|------|--|
| 01/29/2007 | A | Initial Release |
| 03/06/2007 | B | Electrical Operating Characteristics – Add the pull-down resistor value 100kΩ Block Diagram – Add a 100kΩ pull-down resistor |
| 06/15/2007 | C | Updated Example of Ordering Information Added MD- to document number |
| 07/25/07 | D | Added REST in Absolute Maximum Ratings table Updated Recommended Operating Condition table Updated Electrical Operating Characteristics table Added LED Current section Updated Package Outline Drawings |
| 10/17/07 | E | Update Description Update Absolute Maximum Ratings Updated Package Outline Drawings |

Copyrights, Trademarks and Patents

© Catalyst Semiconductor, Inc.

Trademarks and registered trademarks of Catalyst Semiconductor include each of the following:

Adaptive Analog™, Beyond Memory™, DPP™, EZDim™, LDD™, MiniPot™, Quad-Mode™ and Quantum Charge Programmable™

Catalyst Semiconductor has been issued U.S. and foreign patents and has patent applications pending that protect its products.

CATALYST SEMICONDUCTOR MAKES NO WARRANTY, REPRESENTATION OR GUARANTEE, EXPRESS OR IMPLIED, REGARDING THE SUITABILITY OF ITS PRODUCTS FOR ANY PARTICULAR PURPOSE, NOR THAT THE USE OF ITS PRODUCTS WILL NOT INFRINGE ITS INTELLECTUAL PROPERTY RIGHTS OR THE RIGHTS OF THIRD PARTIES WITH RESPECT TO ANY PARTICULAR USE OR APPLICATION AND SPECIFICALLY DISCLAIMS ANY AND ALL LIABILITY ARISING OUT OF ANY SUCH USE OR APPLICATION, INCLUDING BUT NOT LIMITED TO, CONSEQUENTIAL OR INCIDENTAL DAMAGES.

Catalyst Semiconductor products are not designed, intended, or authorized for use as components in systems intended for surgical implant into the body, or other applications intended to support or sustain life, or for any other application in which the failure of the Catalyst Semiconductor product could create a situation where personal injury or death may occur.

Catalyst Semiconductor reserves the right to make changes to or discontinue any product or service described herein without notice. Products with data sheets labeled "Advance Information" or "Preliminary" and other products described herein may not be in production or offered for sale.

Catalyst Semiconductor advises customers to obtain the current version of the relevant product information before placing orders. Circuit diagrams illustrate typical semiconductor applications and may not be complete.



Catalyst Semiconductor, Inc.
Corporate Headquarters
2975 Stender Way
Santa Clara, CA 95054
Phone: 408.542.1000
Fax: 408.542.1200
www.catsemi.com

Document No: MD-5022
Revision: E
Issue date: 10/17/07