

Fiber optic - HS LC-H-D2/ R4XC2-2,54 - 2202320

Please be informed that the data shown in this PDF Document is generated from our Online Catalog. Please find the complete data in the user's documentation. Our General Terms of Use for Downloads are valid (<http://phoenixcontact.com/download>)




Light guides, passive, rigid, can be used for the ME, ME-MAX, ME-IO, ME PLC, and EH housing ranges (housing must be processed)

Your advantages

- ✓ Light guides are perfectly matched to electronics housings
- ✓ Easy mounting on the PCB using press pins
- ✓ Resistance to ESD
- ✓ Housing processing available on request



Key Commercial Data

Packing unit	100 pc
Minimum order quantity	100 pc
GTIN	 4 055626 050218
GTIN	4055626050218
Weight per Piece (excluding packing)	0.630 g
Custom tariff number	39269097
Country of origin	Tunisia

Technical data

Product properties

Brief article description	Fiber optic
Type	HS LC-H-D2/ R4XC2-2,54
Order No.	2202320
Type	passive, rigid
Alignment	Horizontal
Number of displays	8 (4 rows x 2 columns)
ESD protection	< 8 kV
Head form	Round, conical

Fiber optic - HS LC-H-D2/ R4XC2-2,54 - 2202320

Technical data

Dimensions

Caption	Details on positioning inside the electronics housing can be found in the download area under "Design-In"
Pitch	2.54 mm
Diameter	2 mm
Hole diameter	1.2 mm

Material specifications

Material	PC
Color (RAL)	transparent
	black

Ambient conditions

Ambient temperature (operation)	-40 °C ... 85 °C
---------------------------------	------------------

General information

Type of note	Assembly instruction:
Note	Refer to the data sheet for the range in the download area.
	To prevent glare, the system has an aperture. This also makes mixed colors possible.

Packaging details

Pieces per package	100
Denomination packing units	Pcs.

Standards and Regulations

Flammability rating according to UL 94	HB
--	----

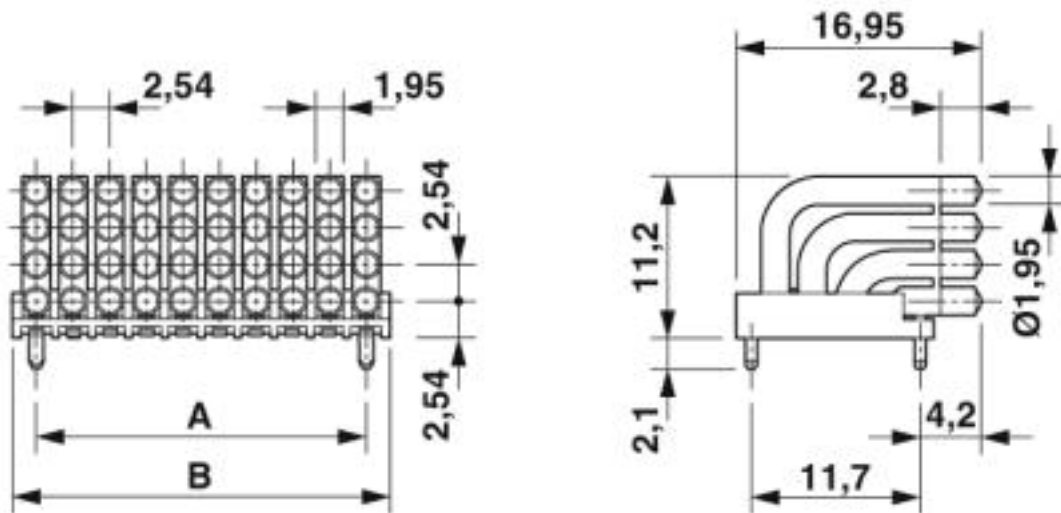
Environmental Product Compliance

China RoHS	Environmentally friendly use period: unlimited = EFUP-e
	No hazardous substances above threshold values

Drawings

Fiber optic - HS LC-H-D2/ R4XC2-2,54 - 2202320

Dimensional drawing



Details on positioning inside the electronics housing can be found in the download area under "Design-In"

Classifications

eCl@ss

eCl@ss 5.0	27180500
eCl@ss 5.1	27180500
eCl@ss 6.0	27180800
eCl@ss 7.0	27182702
eCl@ss 8.0	27182702
eCl@ss 9.0	27182702

ETIM

ETIM 5.0	EC001031
ETIM 6.0	EC001031
ETIM 7.0	EC001031

UNSPSC

UNSPSC 13.2	31261501
UNSPSC 18.0	31261501
UNSPSC 19.0	31261501
UNSPSC 20.0	31261501
UNSPSC 21.0	31261501

Approvals

Approvals

Fiber optic - HS LC-H-D2/ R4XC2-2,54 - 2202320


Approvals

Approvals

EAC

Ex Approvals

Approval details

EAC		B.01742
-----	---	---------
