

# HART transfer board - MACX MCR-S-MUX-TB - 2308124

Please be informed that the data shown in this PDF Document is generated from our Online Catalog. Please find the complete data in the user's documentation. Our General Terms of Use for Downloads are valid (<http://phoenixcontact.com/download>)



The HART transfer board is used to operate the MACX-MCR-S-MUX HART multiplexer. The signals from the HART-compatible signal converters are applied to the terminal strip of the transfer board where they are then transmitted to the multiplexer via an FLK.



## Key Commercial Data

Packing unit	1 pc
GTIN	
GTIN	4046356579162
Weight per Piece (excluding packing)	220.200 g
Custom tariff number	85437090
Country of origin	Germany

## Technical data

### Dimensions

Width	80 mm
Height	70 mm
Depth	125 mm

### Ambient conditions

Ambient temperature (operation)	-20 °C ... 70 °C
Ambient temperature (storage/transport)	-40 °C ... 80 °C

### General data

Conformance	CE-compliant
-------------	--------------

### Standards and Regulations

Conformance	CE-compliant
-------------	--------------

### Environmental Product Compliance

China RoHS	Environmentally Friendly Use Period = 50
------------	------------------------------------------

# HART transfer board - MACX MCR-S-MUX-TB - 2308124

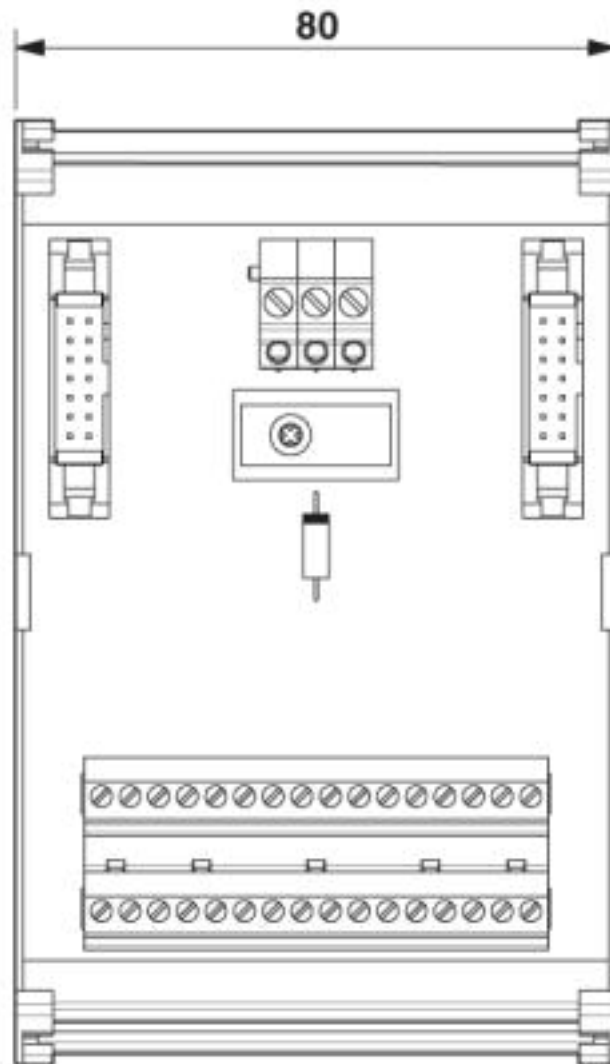
## Technical data

### Environmental Product Compliance

	For details about hazardous substances go to tab "Downloads", Category "Manufacturer's declaration"
--	-----------------------------------------------------------------------------------------------------

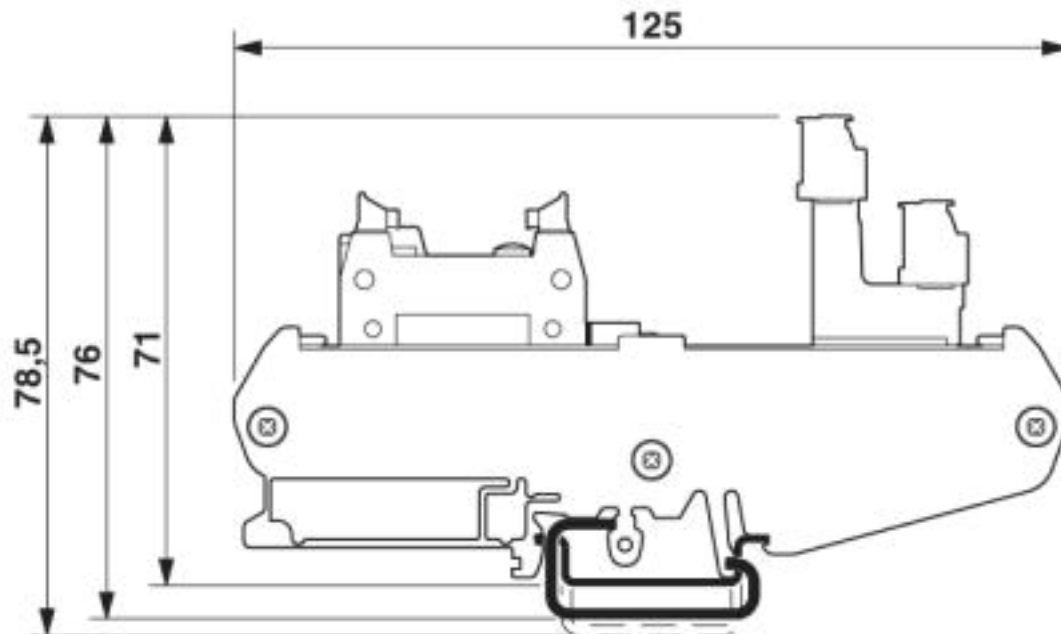
## Drawings

Dimensional drawing



# HART transfer board - MACX MCR-S-MUX-TB - 2308124

Dimensional drawing



## Classifications

### eCl@ss

eCl@ss 4.0	27378000
eCl@ss 4.1	27378000
eCl@ss 5.0	27379100
eCl@ss 5.1	27379100
eCl@ss 6.0	27379200
eCl@ss 7.0	27141152
eCl@ss 8.0	27141152
eCl@ss 9.0	27141152

### ETIM

ETIM 3.0	EC000310
ETIM 4.0	EC002498
ETIM 5.0	EC002780
ETIM 6.0	EC002780
ETIM 7.0	EC002780

### UNSPSC

UNSPSC 6.01	30211506
UNSPSC 7.0901	39121008
UNSPSC 11	39121008
UNSPSC 12.01	39121008
UNSPSC 13.2	39121421

# HART transfer board - MACX MCR-S-MUX-TB - 2308124

## Classifications

### UNSPSC

UNSPSC 18.0	39121432
UNSPSC 19.0	39121432
UNSPSC 20.0	39121432
UNSPSC 21.0	39121432

## Approvals

### Approvals

---

Approvals

EAC

---

Ex Approvals

---

### Approval details

EAC		RU C- DE.A*30.B.01082
-----	-------------------------------------------------------------------------------------	--------------------------