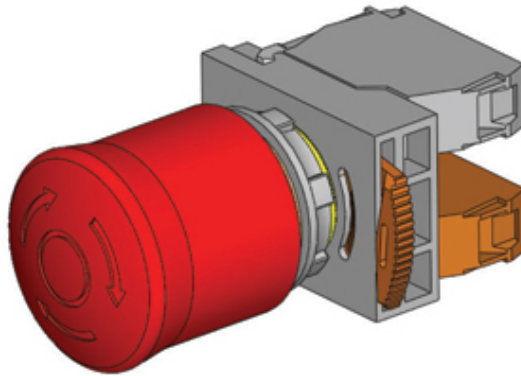


## DPB22-S11R

Emergency stop twist push pull release 1a 1b red cap



### SPECIFICATION

<b>Button Head Material</b>	PA66 V2
<b>Body Material</b>	PA66 + 15% GF-VO
<b>Locknut Material</b>	PA66 V2 +15%GF
<b>Button Head Lamp Colour</b>	Red
<b>Number of Contact Blocks</b>	2
<b>Switch Action</b>	Latching
<b>Shaft Style</b>	Standard
<b>Max Wire Size Single Strand (Sq mm)</b>	2.5
<b>Max Wire Size Multi Strand (Sq mm)</b>	1.5
<b>Min Temperature Rating °C</b>	-10
<b>Max Temperature Rating °C</b>	65
<b>Panel Hole Size</b>	22.5mm
<b>IP Rating</b>	56
<b>Product Sub Type</b>	Push pull stop mushroom head
<b>Product Type</b>	Push button non-illuminated
<b>Terminal Type</b>	Screw clamp