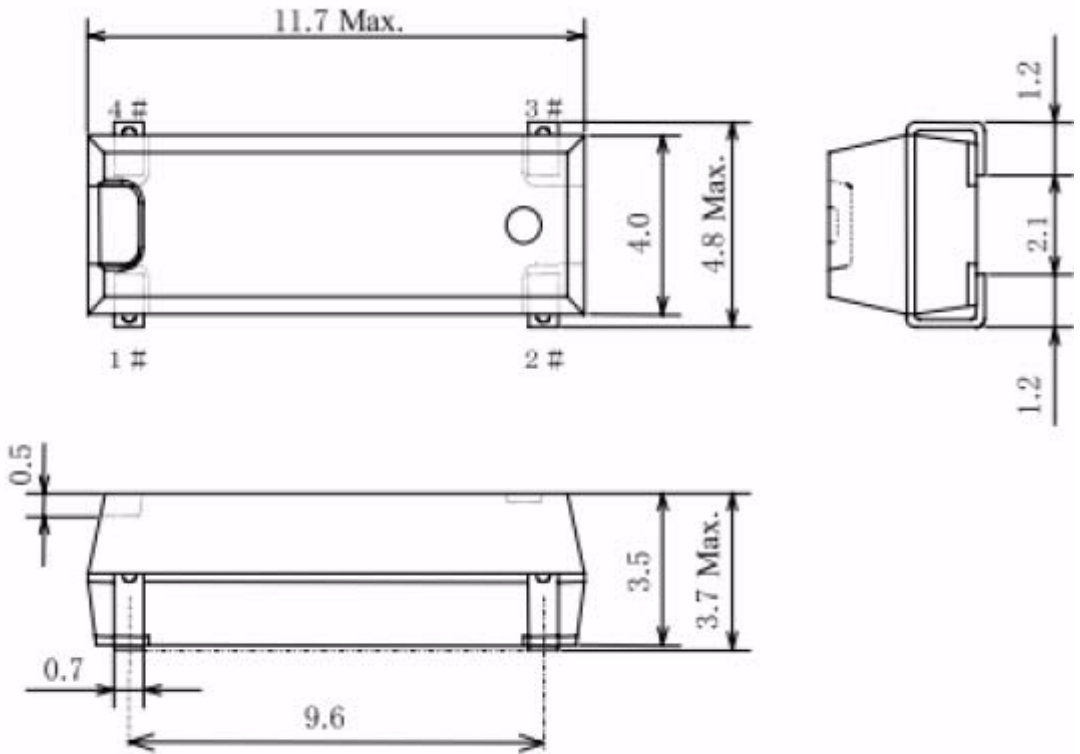




**SPECIFICATION
CONTROL DRAWING
Crystal Resonator**

FREQUENCY
4.000000MHz



Holder Style	CM309E
Mode	Fundamental
Adjustment Tolerance	± 50PPM at 25°C
Temperature Stability	± 100 PPM
Operating Temp. Range	-40°C to +85°C
Load Capacitance	30 pF
ESR	150 Max Ohm
Drive Level	0.1 Max mW
Static Capacitance (C0)	5.0 Max pF
Ageing	+/-5ppm 1st Year Max
Marking	Mark Std

Amdt Date	Change Note	AEL Code		
26 MAR 15	Changed from CM309S to CM309E	X4M000000S013		
		<table border="1"> <tr> <th align="left">Issue Ref</th> <td align="center">B</td> </tr> </table>	Issue Ref	B
Issue Ref	B			