

## Sealing frame - CES-B16-8XSRC-BK - 1411073

Please be informed that the data shown in this PDF Document is generated from our Online Catalog. Please find the complete data in the user's documentation. Our General Terms of Use for Downloads are valid (<http://phoenixcontact.com/download>)



Sealing frame with screw locking, size: B16, with 8 pre-mounted coned sleeves for a 2 mm ... 11 mm conductor diameter

RoHS

### Key Commercial Data

|                                      |   |
|--------------------------------------|---|
| Packing unit                         | 1 pc  |
| GTIN                                 | <br>4 046356 921879 |
| GTIN                                 | 4046356921879   |
| Weight per Piece (excluding packing) | 208.000 g   |
| Custom tariff number                 | 39269097  |
| Country of origin                    | Poland  |

### Technical data

#### Dimensions

|                         |                   |
|-------------------------|-------------------|
| External cable diameter | 8x 2 mm ... 11 mm |
| Length                  | 120 mm            |
| Width                   | 58 mm             |
| Height                  | 20 mm             |

#### Ambient conditions

|                                 |                            |
|---------------------------------|----------------------------|
| Degree of protection            | IP54                       |
|                                 | IP65                       |
| Ambient temperature (operation) | -40 °C ... 120 °C (static) |

#### General

|            |                                  |
|------------|----------------------------------|
| Frame type | Sealing frame with coned sleeves |
| Material   | PA (Frame)                       |
|            | NBR (Coned sleeves)              |
| Color      | black                            |
| Torque     | 2 Nm ... 4 Nm (Locking screw)    |

# Sealing frame - CES-B16-8XSRC-BK - 1411073

## Technical data

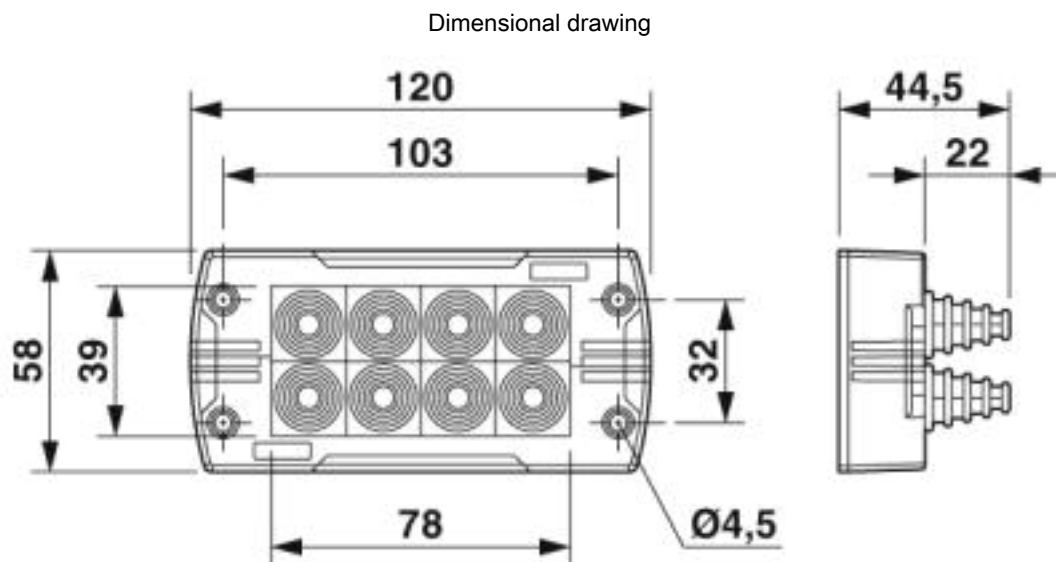
### General

|                           |  |
|---------------------------|--|
| Installation instructions | M4 locking screw with 3 mm hex socket head, torque 2 ... 4 Nm  |
|                           | The flat gasket supplied should be inserted between the wall and the sealing frame in the case of wall mounting. IP54: for vertical sealing frame mounting/for horizontal sealing frame mounting (downward cable outlet direction). IP65: vertical mounting/horizontal mounting (downward cable outlet direction) of the sealing frame directly on the housing panel and use of a 3.6 mm wide cable binder (e.g., item 3240744). |

### Environmental Product Compliance

|            |   |
|------------|---|
| REACH SVHC | Lead 7439-92-1  |
| China RoHS | Environmentally Friendly Use Period = 50  |
|            | For details about hazardous substances go to tab "Downloads", Category "Manufacturer's declaration" |

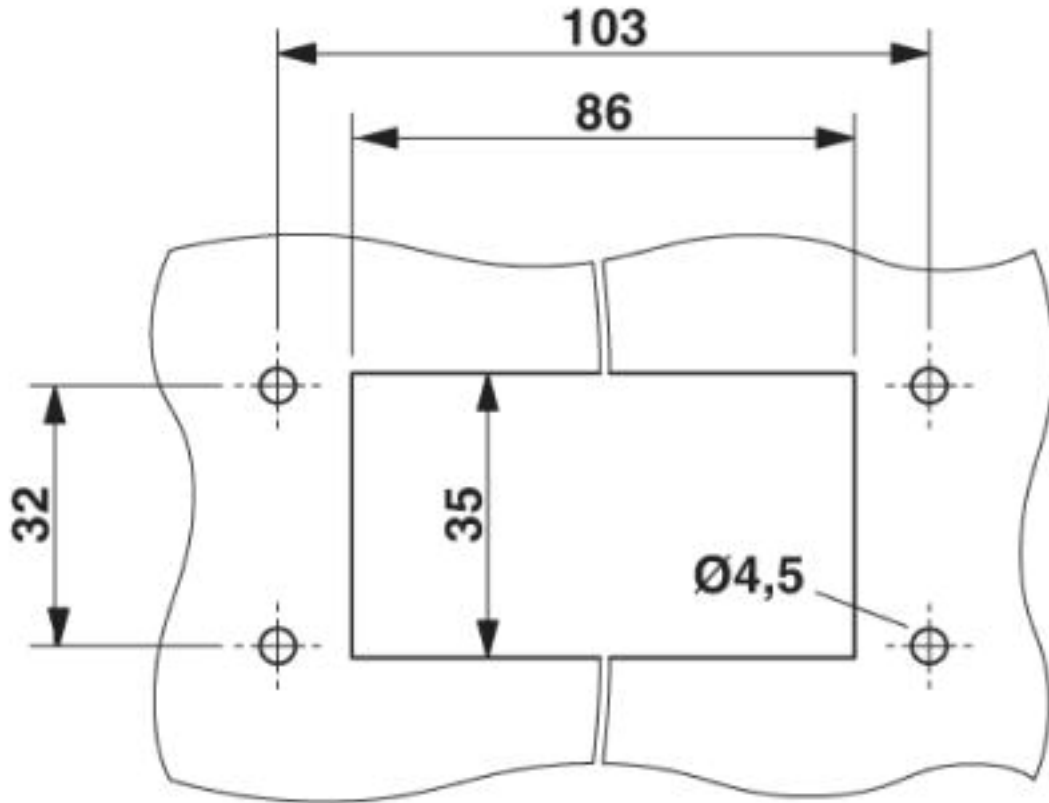
## Drawings



Dimensional drawing

## Sealing frame - CES-B16-8XSRC-BK - 1411073

Dimensional drawing



Mounting cutout

### Classifications

eCl@ss

|               |          |
|---------------|----------|
| eCl@ss 10.0.1 | 23071590 |
| eCl@ss 4.0    | 23110100 |
| eCl@ss 4.1    | 23110100 |
| eCl@ss 5.0    | 23110100 |
| eCl@ss 5.1    | 23110100 |
| eCl@ss 6.0    | 23071500 |
| eCl@ss 7.0    | 23071590 |
| eCl@ss 8.0    | 23071590 |
| eCl@ss 9.0    | 23071590 |

ETIM

|          |          |
|----------|----------|
| ETIM 4.0 | EC000886 |
| ETIM 5.0 | EC000211 |
| ETIM 6.0 | EC000211 |
| ETIM 7.0 | EC000211 |

# Sealing frame - CES-B16-8XSRC-BK - 1411073

## Approvals

Approvals

---

Approvals

GL

---

Ex Approvals

---

## Approval details

|    |  |   |            |
|----|--|---|------------|
| GL |  | <a href="https://approvalfinder.dnvgl.com/">https://approvalfinder.dnvgl.com/</a> | 1391415 HH |
|----|--|---|------------|

## Accessories

Accessories

Cutting tools

Cable-cutting tool - CUTFOX-ES - 1212621



Electrician's scissors, high cutting performance thanks to micro-serrated cutting area, suitable for copper, aluminum, Kevlar fibers, and plastic, two-component non-slip soft-grip handles, ergonomic design, adjustable screw joint

---

---