

## Sealing frame - CES-B10-HFFS-PLBK - 0801663

Please be informed that the data shown in this PDF Document is generated from our Online Catalog. Please find the complete data in the user's documentation. Our General Terms of Use for Downloads are valid (<http://phoenixcontact.com/download>)



Sealing frame with locking latch, size B10, with flat gasket, for 6 small sleeves

### Your advantages

- Can also be used for standard panel cutouts for heavy-duty industrial connectors

### Key Commercial Data

Packing unit	1 pc
GTIN	 4 046356 674096
GTIN	4046356674096
Weight per Piece (excluding packing)	121.800 g
Custom tariff number	85472000
Country of origin	Poland

### Technical data

#### Dimensions

Length	99.2 mm
Width	58 mm
Height	20 mm

#### Ambient conditions

Degree of protection	IP54
Ambient temperature (operation)	-40 °C ... 120 °C (static)

#### General

Frame type	Sealing frame
Material	PA (halogen-free)
Flammability rating according to UL 94	V0
Color	black

# Sealing frame - CES-B10-HFFS-PLBK - 0801663

## Technical data

### General

Torque	1.8 Nm (Mounting screw, M4 (ISO 4762/DIN 912))
Note	Mounting screws not supplied as standard. The maximum width of the panel cutout must not exceed 51 mm (instead of 35 mm for heavy-duty industrial connectors).
Installation instructions	One large sleeve requires the space of 4 small sleeves, M4 mounting screws (ISO 4762/DIN 912), torque for mounting screw: 1.8 Nm
	A video tutorial on how to assemble the product can be found in the Downloads area, in the Video category.

### Standards and Regulations

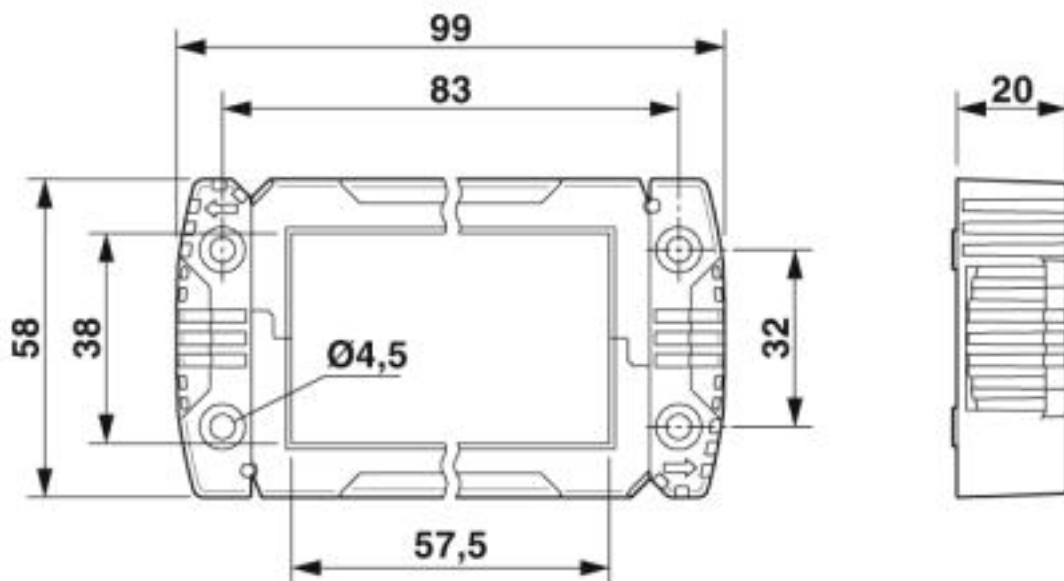
Connection in acc. with standard	CUL
Flammability rating according to UL 94	V0

### Environmental Product Compliance

China RoHS	Environmentally friendly use period: unlimited = EFUP-e
	No hazardous substances above threshold values

## Drawings

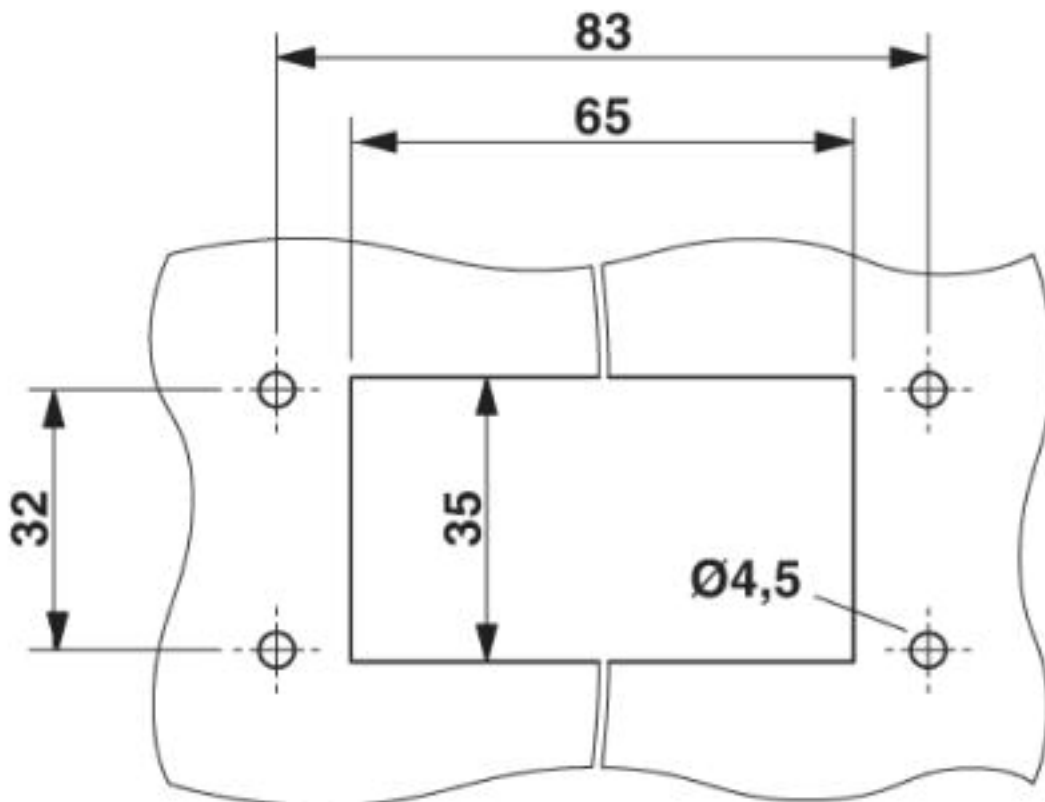
Dimensional drawing



Dimensional drawing

# Sealing frame - CES-B10-HFFS-PLBK - 0801663

Dimensional drawing



Mounting cutout

## Classifications

eCl@ss

eCl@ss 4.0	23110100
eCl@ss 4.1	23110100
eCl@ss 5.0	23110100
eCl@ss 5.1	23110100
eCl@ss 6.0	23110100
eCl@ss 7.0	27142421
eCl@ss 8.0	27142421
eCl@ss 9.0	27142421

ETIM

ETIM 3.0	EC001121
ETIM 4.0	EC002498
ETIM 5.0	EC000211
ETIM 6.0	EC000211
ETIM 7.0	EC000211

# Sealing frame - CES-B10-HFFS-PLBK - 0801663

## Classifications

### UNSPSC

UNSPSC 6.01	27113201
UNSPSC 7.0901	27113201
UNSPSC 11	27113201
UNSPSC 12.01	27113201
UNSPSC 13.2	27113201
UNSPSC 18.0	31261501
UNSPSC 19.0	31261501
UNSPSC 20.0	31261501
UNSPSC 21.0	31261501

## Approvals

### Approvals

---

#### Approvals

GL / UL Recognized / cUL Recognized / cULus Recognized

---

#### Ex Approvals

---

### Approval details

GL		<a href="https://approvalfinder.dnvgl.com/">https://approvalfinder.dnvgl.com/</a>	1391415 HH
----	--	---	------------

UL Recognized		<a href="http://database.ul.com/cgi-bin/XYV/template/LISEXT/1FRAME/index.htm">http://database.ul.com/cgi-bin/XYV/template/LISEXT/1FRAME/index.htm</a>	NITW2.E255026
---------------	--	---	---------------

cUL Recognized		<a href="http://database.ul.com/cgi-bin/XYV/template/LISEXT/1FRAME/index.htm">http://database.ul.com/cgi-bin/XYV/template/LISEXT/1FRAME/index.htm</a>	NITW8.E255026
----------------	--	---	---------------

cULus Recognized			
------------------	--	--	--

## Accessories

### Accessories

## Sealing frame - CES-B10-HFFS-PLBK - 0801663

### Accessories

#### Seal

Flat gasket - CES-B10-WRG-BK - 0801725



Flat gasket made of NBR, size B10