

Ring cable lug - C-RC 70/M12 DIN - 3240118


Please be informed that the data shown in this PDF Document is generated from our Online Catalog. Please find the complete data in the user's documentation. Our General Terms of Use for Downloads are valid (<http://phoenixcontact.com/download>)



Ring cable lug, non-insulated, 70 mm², M12



Key Commercial Data

| | |
|--------------------------------------|---|
| Packing unit | 100 pc |
| Minimum order quantity | 100 pc |
| GTIN |  4 046356 453356 |
| GTIN | 4046356453356 |
| Weight per Piece (excluding packing) | 24.880 g |
| Custom tariff number | 85369010 |
| Country of origin | China |
| Note | Made to Order (non-returnable) |

Technical data

Dimensions

| | |
|---|-------|
| Length (b) | 49 mm |
| Width (a) | 22 mm |
| Maximum stripping length | 21 mm |
| Length of insulation sleeve (c) | 18 mm |
| Inner dimension of the insulating collar (d) | 13 mm |
| Distance between the center and the insulation sleeve (e) | 20 mm |
| Inner diameter (f) | 13 mm |
| Material thickness (g) | 2 mm |

Ambient conditions

| | |
|---------------------------------|--------|
| Ambient temperature (operation) | 110 °C |
|---------------------------------|--------|

General

| | |
|-------|--------|
| Color | silver |
|-------|--------|

Ring cable lug - C-RC 70/M12 DIN - 3240118

Technical data

General

| | |
|------------------|------------|
| Stripping length | 21 mm |
| Material | Copper |
| Coating | tin-plated |

Standards and Regulations

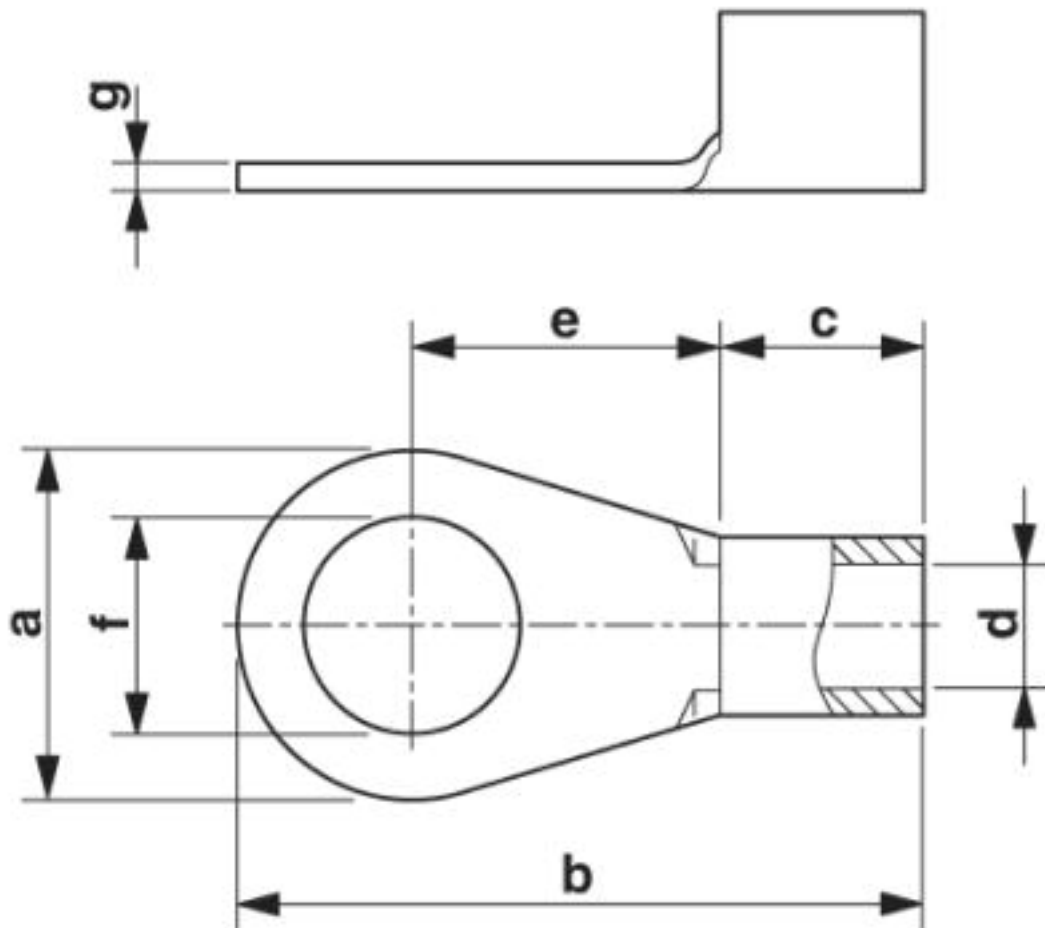
| | |
|------------------------------|-----------|
| Design according to standard | DIN 46234 |
|------------------------------|-----------|

Environmental Product Compliance

| | |
|------------|---|
| China RoHS | Environmentally friendly use period: unlimited = EFUP-e |
| | No hazardous substances above threshold values |

Drawings

Dimensional drawing



Ring cable lug - C-RC 70/M12 DIN - 3240118

Classifications

eCl@ss

| | |
|------------|----------|
| eCl@ss 4.0 | 27060700 |
| eCl@ss 4.1 | 27060700 |
| eCl@ss 5.0 | 27400200 |
| eCl@ss 5.1 | 27400200 |
| eCl@ss 6.0 | 27400200 |
| eCl@ss 7.0 | 27400203 |
| eCl@ss 8.0 | 27400204 |
| eCl@ss 9.0 | 27400204 |

ETIM

| | |
|----------|----------|
| ETIM 2.0 | EC000005 |
| ETIM 3.0 | EC000005 |
| ETIM 4.0 | EC001052 |
| ETIM 5.0 | EC001052 |
| ETIM 6.0 | EC001052 |
| ETIM 7.0 | EC001052 |

UNSPSC

| | |
|---------------|----------|
| UNSPSC 6.01 | 30211923 |
| UNSPSC 7.0901 | 27121703 |
| UNSPSC 11 | 27121703 |
| UNSPSC 12.01 | 27121703 |
| UNSPSC 13.2 | 27121707 |
| UNSPSC 18.0 | 27121707 |
| UNSPSC 19.0 | 27121707 |
| UNSPSC 20.0 | 27121707 |
| UNSPSC 21.0 | 27121707 |

Approvals

Approvals

Approvals

EAC

Ex Approvals

Approval details

Ring cable lug - C-RC 70/M12 DIN - 3240118

Approvals

EAC



EAC-Zulassung