

CLASSIFICATION Einstufung	PRODUCT SPECIFICATION Produktspezifikation	No. DS-2355-900-102	REV. F
SUBJECT Thema	ISM MODULE PAN2355 868/915MHZ 500KBAUD Basis is CC1100 from Chipcon	PAGE Seite	1 of 21
CUSTOMER'S CODE PAN2355	PANASONIC CODE ENW59611N3A	DATE Datum	08.05.2007

## Application for Production

Applicant / Manufacturer      Panasonic Electronic Devices Europe GmbH  
Hardware                              Zeppelinstrasse 19  
    21337 Lüneburg  
    Germany

Applicant / Manufacturer  
Software

Software Version                      No Software included

Contents                                  Approval for Mass Production

Customer

By signing this document, Customer accepts the validity of the below-mentioned contents and declares his full notice to it. Some passages may be changed if required; the validity shall not be affected thereby.

CHECKED / APPROVED:

DATE:	NAME:	SIGNATURE:

NOTE:

AT LEAST ONE SET OF APPROVED SPECIFICATIONS SHOULD BE RETURNED TO THE ADDRESS OF THE ISSUING PARTY..

HIGH FREQUENCY PRODUCTS DIVISION Module Business PANASONIC ELECTRONIC DEVICES EUROPE GmbH	APPROVED genehmigt	CHECKED geprüft	DESIGNED erstellt
--	-----------------------	--------------------	----------------------

CLASSIFICATION Einstufung	PRODUCT SPECIFICATION Produktspezifikation	No. DS-2355-900-102	REV. F
SUBJECT Thema	ISM MODULE PAN2355 868/915MHZ 500KBAUD Basis is CC1100 from Chipcon	PAGE Seite	2 of 21
CUSTOMER'S CODE PAN2355	PANASONIC CODE ENW59611N3A	DATE Datum	08.05.2007

## TABLE OF CONTENTS

1.	Key Features.....	4
2.	Applications for the Module.....	4
3.	Description for the Module.....	4
4.	Scope of this Document.....	5
5.	History for this Document.....	5
6.	Terminal Layout.....	6
7.	Block Diagram.....	7
8.	Key Parts List.....	7
9.	Test Conditions.....	7
10.	Absolute Maximum Ratings.....	8
11.	Electrical Requirements.....	8
12.	I/O Operating Characteristics.....	9
13.	Typical Current Consumption.....	9
14.	Electrical RF-Characteristics.....	10
15.	Mechanical Requirements.....	10
16.	Soldering Temperature-Time Profile (for reflow soldering).....	11
	16.1. For lead solder.....	11
	16.2. For leadfree solder.....	11
17.	Module Dimension.....	12
18.	Foot Print and Size of the Module.....	12
19.	Labelling Drawing (top view).....	13
20.	Recommended Foot Pattern.....	13
21.	Reliability Tests.....	14
22.	Cautions.....	14
	22.1. Notes of design.....	14
	22.2. Notes of installation.....	14
	22.3. Notes of usage conditions.....	15
	22.4. Notes of storage.....	15
	22.5. Other cautions.....	15
23.	Packaging.....	16
	23.1. Tape Dimension.....	16
	23.2. Packing in Tape.....	16
	23.3. Component direction.....	17
	23.4. Reel Dimension.....	17
	23.5. Label for Package.....	18
	23.6. Total Packing Handling.....	18
	23.7. Cover tape reel strength.....	19

HIGH FREQUENCY PRODUCTS DIVISION Module Business PANASONIC ELECTRONIC DEVICES EUROPE GmbH	APPROVED genehmigt	CHECKED geprüft	DESIGNED erstellt
--	-----------------------	--------------------	----------------------

CLASSIFICATION Einstufung	PRODUCT SPECIFICATION Produktspezifikation	No. DS-2355-900-102	REV. F
SUBJECT Thema	ISM MODULE PAN2355 868/915MHZ 500KBAUD Basis is CC1100 from Chipcon	PAGE Seite	3 of 21
CUSTOMER'S CODE PAN2355	PANASONIC CODE ENW59611N3A	DATE Datum	08.05.2007

24. Ordering Information .....	19
25. RoHS Declaration .....	20
26. Data Sheet Status .....	20
27. Related Documents .....	20
28. General Information .....	21
29. Life Support Policy .....	21

PRELIMINARY

HIGH FREQUENCY PRODUCTS DIVISION Module Business PANASONIC ELECTRONIC DEVICES EUROPE GmbH	APPROVED genehmigt	CHECKED geprüft	DESIGNED erstellt
--	-----------------------	--------------------	----------------------

CLASSIFICATION Einstufung	PRODUCT SPECIFICATION Produktspezifikation	No. DS-2355-900-102	REV. F
SUBJECT Thema	ISM MODULE PAN2355 868/915MHZ 500KBAUD Basis is CC1100 from Chipcon	PAGE Seite	4 of 21
CUSTOMER'S CODE PAN2355	PANASONIC CODE ENW59611N3A	DATE Datum	08.05.2007

## 1. KEY FEATURES

### Schlüsseigenschaften

- Module using CC1100-RF-Transceiver
- generally 300-1000 MHz Frequency Range (upon request, standard frequency is 868 MHz)
- up to 5 dBm Output Power (programmable), in special cases 10 dBm
- Data rate up to 500 kbps
- all configuration and data access via SPI bus
- Wide Supply voltage range of 2.1 – 3.6 V
- extremely small size (8 x 8.2 x 2 mm)

## 2. APPLICATIONS FOR THE MODULE

### Anwendungen für das Modul

All kinds of wireless applications, as for example:

- Wireless sensor and actor networks
- Remote control Home automation systems
- Wireless alarms and security systems
- Wireless serial cable replacement
- Automatic Meter Reading
- Low Power Telemetry

## 3. DESCRIPTION FOR THE MODULE

### Modulbeschreibung

The PAN2355 provides a complete RF transceiver module utilizing a powerful transceiver for all kind of wireless applications. This module is specifically suited for low-power operation and small-size applications.

HIGH FREQUENCY PRODUCTS DIVISION Module Business PANASONIC ELECTRONIC DEVICES EUROPE GmbH	APPROVED genehmigt	CHECKED geprüft	DESIGNED erstellt
--	-----------------------	--------------------	----------------------

CLASSIFICATION Einstufung	PRODUCT SPECIFICATION Produktspezifikation	No. DS-2355-900-102	REV. F
SUBJECT Thema	ISM MODULE PAN2355 868/915MHZ 500KBAUD Basis is CC1100 from Chipcon	PAGE Seite	5 of 21
CUSTOMER'S CODE PAN2355	PANASONIC CODE ENW59611N3A	DATE Datum	08.05.2007

#### 4. SCOPE OF THIS DOCUMENT

##### Umfang dieses Dokumentes

This document applies to the PAN2355 module. The module is based upon a Chipcon/TI (based in Oslo/Norway) CC1100 transceiver.

Dieses Dokument bezieht sich auf das Funkmodul PAN2355. Es basiert auf einem Chipcon/TI CC1100 Transceiver.

#### 5. HISTORY FOR THIS DOCUMENT

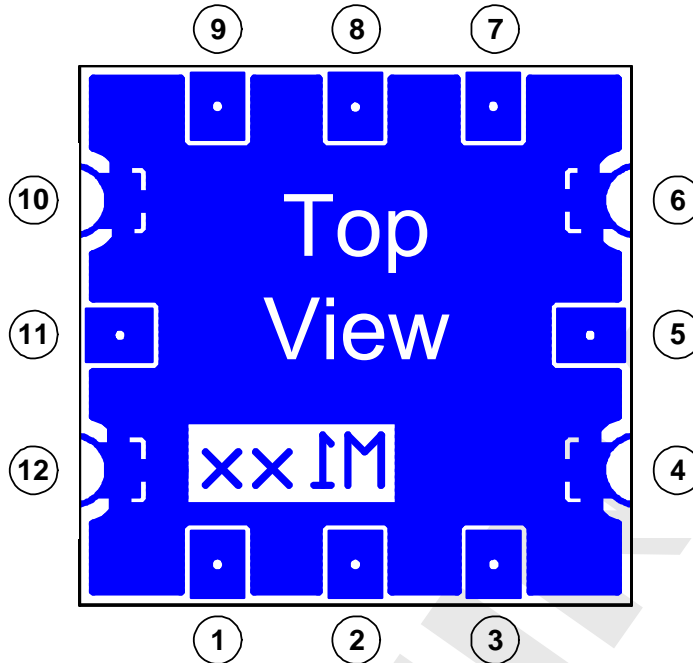
##### Versionsverwaltung dieses Dokumentes

Revision Version	Date Datum	Modification / Remarks Änderungen / Bemerkungen
A	04.05.2006	Initial DRAFT <b>(AS)</b>
B	30.06.2006	Change of Supply Voltage and Temperature Range <b>(AS)</b>
C	10.07.2006	Adapt specification to the newest data sheet from Chipcon, please refer to [1] in chapter Related Documents. <b>(HK)</b>
D	28.07.2006	Correct link to number [1] in chapter Related Documents and add chapter 23 Packaging, 17 Module Dimension and 19 Labelling , revised chapter 18 Foot Print and Size of the Module <b>(HK)</b>
E	01.12.2006	Add chapter Cautions and RoHS Declaration <b>(HK)</b>
F	08.05.2007	Revised chapter 7, 14 (sensitivity part), 19, 23, 24 and add note (1) in chapter 10. Add MSL in chapter 10 and correct mistake for maximum power, set from 10dBm to 5dBm <b>(HK)</b>

HIGH FREQUENCY PRODUCTS DIVISION Module Business PANASONIC ELECTRONIC DEVICES EUROPE GmbH	APPROVED genehmigt	CHECKED geprüft	DESIGNED erstellt
--	-----------------------	--------------------	----------------------

CLASSIFICATION Einstufung	PRODUCT SPECIFICATION Produktspezifikation	No. DS-2355-900-102	REV. F
SUBJECT Thema	ISM MODULE PAN2355 868/915MHZ 500KBAUD Basis is CC1100 from Chipcon	PAGE Seite	6 of 21
CUSTOMER'S CODE PAN2355	PANASONIC CODE ENW59611N3A	DATE Datum	08.05.2007

6. TERMINAL LAYOUT  
Anschlußbelegung



Pin no.	Pin Name	Pin Type	Description
1	SPI SI	I	SPI Slave Data In
2	SPI CLK	I	SPI Clock
3	SPI SO	O	SPI Slave Data Out
4	GND	PWR	Ground
5	GDO0	O	General Purpose Output <sup>1</sup>
6	GND	PWR	Ground
7	SPI CSN	I/O	SPI Chip Select
8	Vdd	PWR	Supply Voltage
9	GDO2	O	General Purpose Output <sup>1</sup>
10	GND	PWR	Ground
11	RF	I/O	50 Ω RF Port <sup>2</sup>
12	GND	PWR	Ground

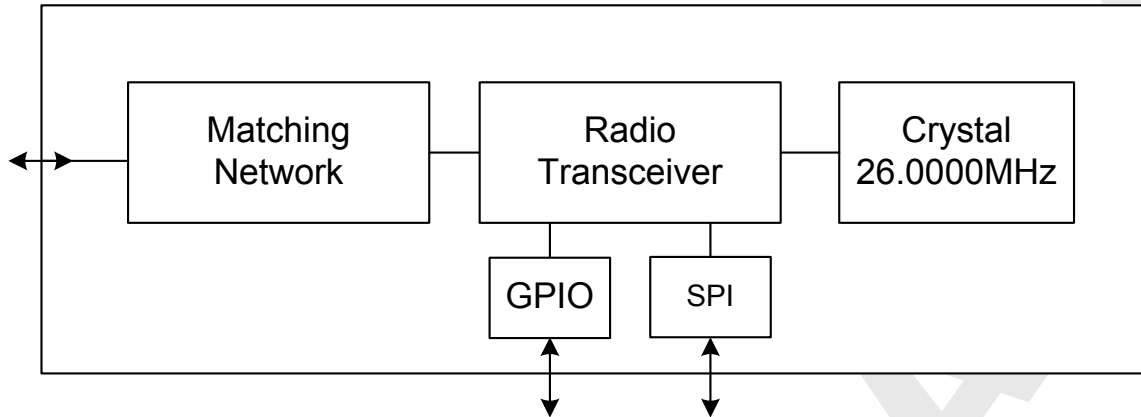
<sup>1</sup> See CC1100 Datasheet for Details on how to configure this output

<sup>2</sup> To avoid DC shortage in Tx mode (only in case, if you are using a "grounded" antenna), please use a capacitor between this pin and the antenna.

HIGH FREQUENCY PRODUCTS DIVISION Module Business PANASONIC ELECTRONIC DEVICES EUROPE GmbH	APPROVED genehmigt	CHECKED geprüft	DESIGNED erstellt
--	-----------------------	--------------------	----------------------

CLASSIFICATION Einstufung	PRODUCT SPECIFICATION Produktspezifikation	No. DS-2355-900-102	REV. F
SUBJECT Thema	ISM MODULE PAN2355 868/915MHZ 500KBAUD Basis is CC1100 from Chipcon	PAGE Seite	7 of 21
CUSTOMER'S CODE PAN2355	PANASONIC CODE ENW59611N3A	DATE Datum	08.05.2007

7. BLOCK DIAGRAM  
Blockdiagramm



8. KEY PARTS LIST  
Liste der Schlüsselkomponenten

Part Name Teilenummer	Material Material
P.W.Board Leiterplatte	Glass cloth epoxide resin with gold plating FR4 mit Goldauflage
Casing Deckel	Material: CuNi18ZN20, thickness 0.15mm Material: Weißblech 0,15mm Dicke
IC part name IC Name	CC1100 (Chipcon AS <a href="http://www.chipcon.com">www.chipcon.com</a> ) All information are based on [1] in chapter Related Documents

9. TEST CONDITIONS  
Meßbedingungen

Measurements shall be made under room temperature and humidity unless otherwise specified.  
Messungen unter normalen Bedingungen, Abweichungen sind gesondert notiert.

Temperature	25 ± 10°C	Humidity	40 to 85%RH
Temperatur	25 ± 10°C	Luftfeuchtigkeit	40 to 85%RH

HIGH FREQUENCY PRODUCTS DIVISION Module Business PANASONIC ELECTRONIC DEVICES EUROPE GmbH	APPROVED genehmigt	CHECKED geprüft	DESIGNED erstellt
--	-----------------------	--------------------	----------------------

CLASSIFICATION Einstufung	PRODUCT SPECIFICATION Produktspezifikation	No. DS-2355-900-102	REV. F
SUBJECT Thema	ISM MODULE PAN2355 868/915MHZ 500KBAUD Basis is CC1100 from Chipcon	PAGE Seite	8 of 21
CUSTOMER'S CODE PAN2355	PANASONIC CODE ENW59611N3A	DATE Datum	08.05.2007

## 10. ABSOLUTE MAXIMUM RATINGS

### Absolute Grenzwerte

The maximum ratings may not be exceeded under any circumstances, not even momentarily and individually, as permanent damage to the module will result.

No.	Item Punkt	Symbol Zeichen	Absolute Maximum Ratings Absolute Grenzwerte	Unit Einheit
1	Supply voltage Versorgungsspannung	Vdd	-0.3 to +3.6	V
2	Voltage on any pin Spannung an jedem Pin	Vpin	-0,3 to Vdd +0.3 (3.6 V max.)	V
3	Storage temperature range Lagertemperatur	Tstg	-40 to +125	°C
4	Operating temperature range Betriebstemperatur	Top	-40 to +85	°C
5	Input RF level Eingangs HF-Leistung	Pmax	10	dBm
6	Lead temperature Löttemperatur	Tdeath	Please refer to chapter 16	°C
7	ESD on any pin ESD Festigkeit	V ESD	max tbd <sup>(1)</sup>	V
8	Moisture Sensitivity Level	MSL	3	

### Notes:

- (1) The actual data sheet from CC1100 shows <500V, according to JEDEC STD 22, method A114, Human Body Model. We found no failure in our module for 3kV, measured with the same method. Due to Panasonic rule, we could not specify our module higher as the IC itself, so we can only state the same. But <500V has no meaning and we will wait for the ESD IC improved version CC1101 with a specified value of 750V. The IC CC1101 is an improved ESD version from CC1100 and available in June 2007.

## 11. ELECTRICAL REQUIREMENTS

Vdd = 3.0V, T<sub>amb</sub> = 25°C if nothing else stated

No Nr.	Item Punkt	Condition Bedingung	Limit / Grenzen			Unit Einheit
			Min	Typ	Max	
1	Frequency Range Frequenzbereich	Available upon request	300		348	MHz
	Frequency Range Frequenzbereich	Available upon request	400		464	MHz
	Frequency Range Frequenzbereich	Available upon request	800		928	MHz
2 <sup>1</sup>	Frequency Range Frequenzbereich	Default Frequency range	863		928	MHz
3	Frequency Accuracy Frequenzgenauigkeit	Settings are done with SMART RF Studio from Chipcon		20		ppm
4	Supply voltage Versorgungsspg.	The typical voltage is recommended Vdd at voltage pin	2.1	3.0	3.6	Vdc
5	Ripple on Vdd AC Anteil auf Vdd	Ripple frequency ≥200kHz Ripple frequency <200kHz			tbd tbd	mVpp

<sup>1</sup> Standard Frequency range. Frequencies as indicated in No. 1 are available upon request.

HIGH FREQUENCY PRODUCTS DIVISION Module Business PANASONIC ELECTRONIC DEVICES EUROPE GmbH	APPROVED genehmigt	CHECKED geprüft	DESIGNED erstellt
--	-----------------------	--------------------	----------------------



CLASSIFICATION Einstufung	PRODUCT SPECIFICATION Produktspezifikation	No. DS-2355-900-102	REV. F
SUBJECT Thema	ISM MODULE PAN2355 868/915MHZ 500KBAUD Basis is CC1100 from Chipcon	PAGE Seite	9 of 21
CUSTOMER'S CODE PAN2355	PANASONIC CODE ENW59611N3A	DATE Datum	08.05.2007

## 12. I/O OPERATING CHARACTERISTICS

Vdd = 3.0V, T<sub>amb</sub> = 25°C if nothing else stated

No Nr.	Item Punkt	Condition Bedingung	Min	Max	Unit
1	Low-Level Input Voltage	Vdd > 2.3V		0.35 x Vdd	V
2	High-Level Input Voltage	Vdd > 2.3V		0.70 x Vdd	V
3	Input hysteresis (all digital inputs)			0.09 x Vdd	V
4	Input leakage current per pin			1.0	µA
5	Maximum total current for all pins			60	mA
6	DC injection current for a single pin			0.2	mA
7	DC injection current For the complete module			5.0	mA
8	Input capacitance			7	pF

## 13. TYPICAL CURRENT CONSUMPTION

Vdd = 3.0V, T<sub>amb</sub> = 25°C, 50Ω Output

No Nr.	Modes Modi	Average Durchschnitt	Unit Einheit
1	Sleep Mode (lowest power) <sup>3</sup>	0.09	µA
2	Standby Mode <sup>3</sup>	5.7	µA
3	Idle Mode <sup>3</sup>	1.7	mA
4	Receiving <sup>3</sup>	18.3	mA
5	Transmitting -10 dBm <sup>3</sup>	14.2	mA
6	Transmitting 0 dBm <sup>3</sup>	16.8	mA
7	Transmitting +10 dBm <sup>3</sup>	36	mA

<sup>3</sup> Current values may differ with register settings

HIGH FREQUENCY PRODUCTS DIVISION Module Business PANASONIC ELECTRONIC DEVICES EUROPE GmbH	APPROVED genehmigt	CHECKED geprüft	DESIGNED erstellt
--	-----------------------	--------------------	----------------------

CLASSIFICATION Einstufung	PRODUCT SPECIFICATION Produktspezifikation	No. DS-2355-900-102	REV. F
SUBJECT Thema	ISM MODULE PAN2355 868/915MHZ 500KBAUD Basis is CC1100 from Chipcon	PAGE Seite	10 of 21
CUSTOMER'S CODE PAN2355	PANASONIC CODE ENW59611N3A	DATE Datum	08.05.2007

#### 14. ELECTRICAL RF-CHARACTERISTICS

V<sub>dd</sub> = 3.0V, T<sub>amb</sub> = 25°C, 50Ω Output

No Nr.	Receiver Empfänger	Data rate Datenrate	Limit / Grenzen			Spec	Unit Einheit
			Min	Typ	Max		
1	Sensitivity at 1% PER (FSK Modulation) Please refer also to [1]	1.2 kbps	-	-108	-		dBm
2		38.4 kbps	-	-100	-		
3		115 kbps	-	-88	-		
4	Maximum input power		-		-15		dBm

No Nr.	Transmitter Sender	Frequency [MHz] Frequenz [MHz]	Limit / Grenzen			Spec	Unit Einheit
			Min	Typ	Max		
5	RF transmit power	300-348	-52		5 <sup>4</sup>		dBm
6		400-464	-52		5		
7		800-928	-52		5		
8	RF power control range		-	57			dB
9	Output power step size		-	tbd			dB
10	2 <sup>nd</sup> Harmonics content		-102 <sup>5</sup>	-50 <sup>6</sup>	-30 <sup>7</sup>	-30	dBm
11	3 <sup>rd</sup> Harmonics content		-111 <sup>5</sup>	-60 <sup>6</sup>	-30 <sup>7</sup>	-30	dBm

#### 15. MECHANICAL REQUIREMENTS

##### Mechanische Anforderungen

No.	Item Punkt	Limit Grenzwerte	Condition Bedingung
1	Solderability Lötbarkeit	More than 75% of the soldering area shall be coated by solder Mehr als 75% der Lötfläche soll mit Lötpaste bedeckt sein.	Reflow soldering with recommendable temperature profile
2	Resistance to soldering heat	It shall be satisfied electrical requirements and not be mechanical damage	See chapter 16.2

<sup>4</sup> Please refer to [3]. Other EN300220 regulation are -30dBm for the 2<sup>nd</sup> Harmonic. See also note 7.

<sup>5</sup> RF Output set to -52 dBm (50 Ω conducted measurement)

<sup>6</sup> RF Output set to 0 dBm (50 Ω conducted measurement)

<sup>7</sup> RF Output set to +5 dBm (50 Ω conducted measurement, please use Smart RF Studio for the right settings).

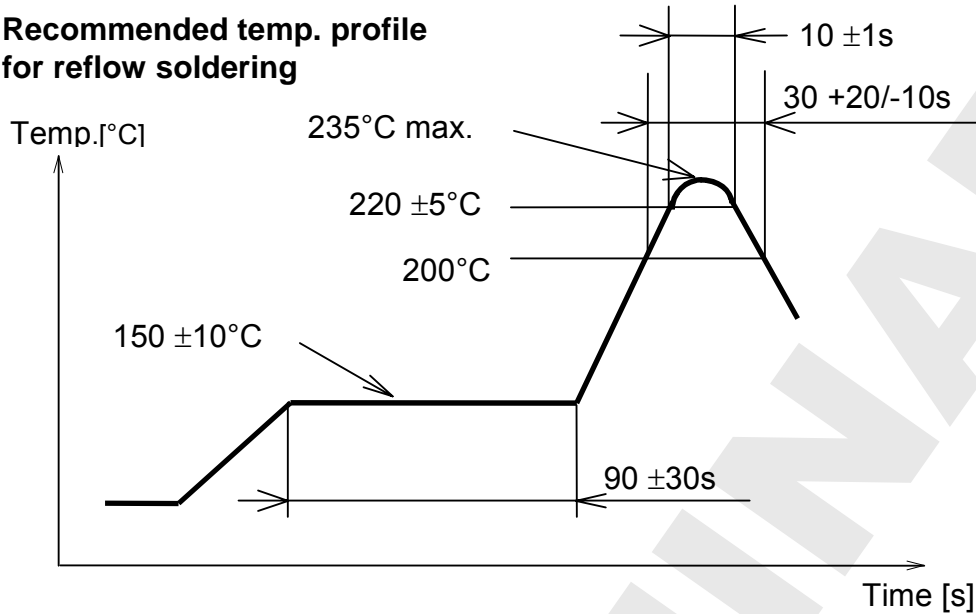
HIGH FREQUENCY PRODUCTS DIVISION Module Business PANASONIC ELECTRONIC DEVICES EUROPE GmbH	APPROVED genehmigt	CHECKED geprüft	DESIGNED erstellt
--	-----------------------	--------------------	----------------------

CLASSIFICATION Einstufung	PRODUCT SPECIFICATION Produktspezifikation	No. DS-2355-900-102	REV. F
SUBJECT Thema	ISM MODULE PAN2355 868/915MHZ 500KBAUD Basis is CC1100 from Chipcon	PAGE Seite	11 of 21
CUSTOMER'S CODE PAN2355	PANASONIC CODE ENW59611N3A	DATE Datum	08.05.2007

16. SOLDERING TEMPERATURE-TIME PROFILE (FOR REFLOW SOLDERING)  
Temperatur-Zeit Profil für die Reflowlötung

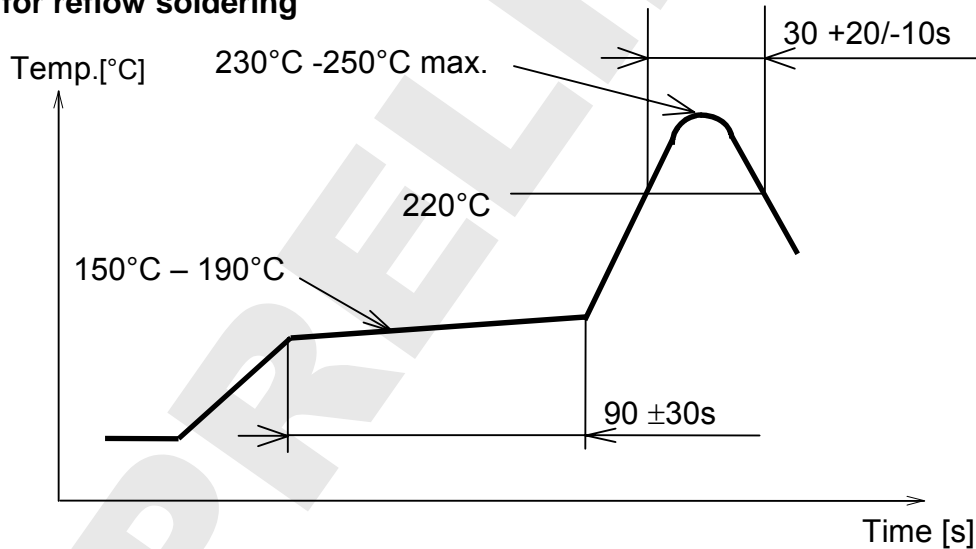
16.1. FOR LEAD SOLDER

**Recommended temp. profile  
for reflow soldering**



16.2. FOR LEADFREE SOLDER

**Our used temp. profile  
for reflow soldering**



Reflow permissible cycle: 2  
Opposite side reflow is prohibited due to module weight.

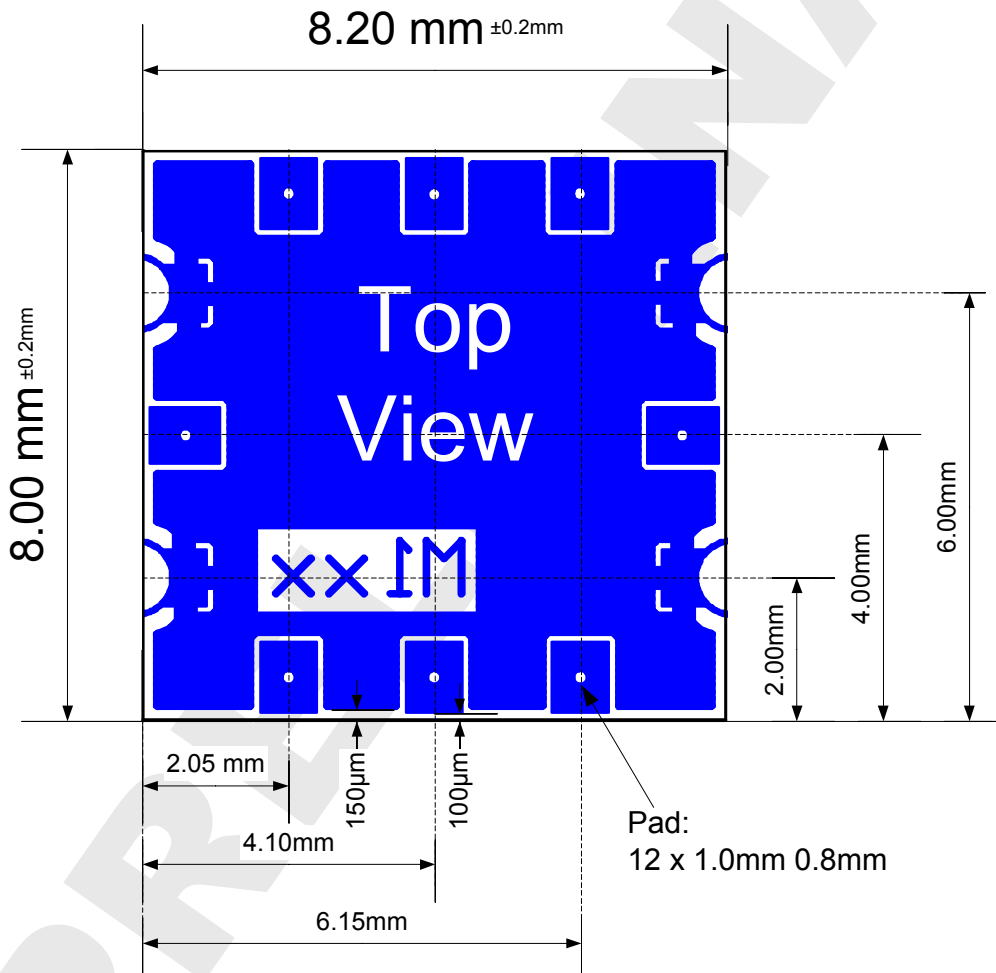
HIGH FREQUENCY PRODUCTS DIVISION Module Business PANASONIC ELECTRONIC DEVICES EUROPE GmbH	APPROVED genehmigt	CHECKED geprüft	DESIGNED erstellt
--	-----------------------	--------------------	----------------------

CLASSIFICATION Einstufung	PRODUCT SPECIFICATION Produktspezifikation	No. DS-2355-900-102	REV. F
SUBJECT Thema	ISM MODULE PAN2355 868/915MHZ 500KBAUD Basis is CC1100 from Chipcon	PAGE Seite	12 of 21
CUSTOMER'S CODE PAN2355	PANASONIC CODE ENW59611N3A	DATE Datum	08.05.2007

17. MODULE DIMENSION  
Modulabmessungen

No.	Item Punkt	Dimension Abmessung	Tolerance Toleranz	Remark Bemerkung
1	Width	8.00	± 0.2	
2	Lenght	8.20	± 0.2	
3	Hight	1.95	± 0.2	Depends on label or laser marking

18. FOOT PRINT AND SIZE OF THE MODULE  
Löt pads und Abmessungen des Moduls



HIGH FREQUENCY PRODUCTS DIVISION Module Business PANASONIC ELECTRONIC DEVICES EUROPE GmbH	APPROVED genehmigt	CHECKED geprüft	DESIGNED erstellt
--	-----------------------	--------------------	----------------------

CLASSIFICATION Einstufung	PRODUCT SPECIFICATION Produktspezifikation	No. DS-2355-900-102	REV. F
SUBJECT Thema	ISM MODULE PAN2355 868/915MHZ 500KBAUD Basis is CC1100 from Chipcon	PAGE Seite	13 of 21
CUSTOMER'S CODE PAN2355	PANASONIC CODE ENW59611N3A	DATE Datum	08.05.2007

### 19. LABELLING DRAWING (TOP VIEW)



This label is suitable for reflow soldering and designed for the engineering sample status.

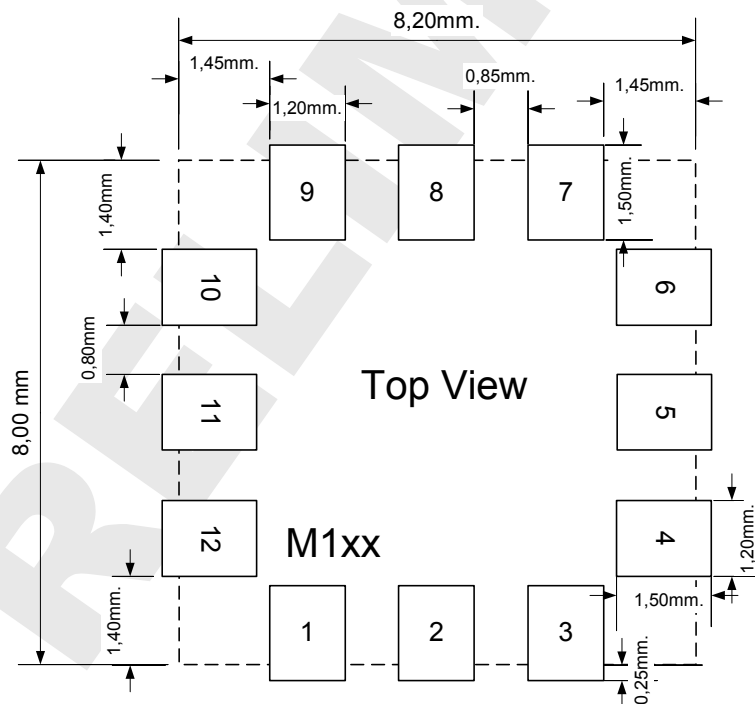
Information in the 2D-Barcode are the date code in the format Year-Month-Day [6 signs], serial number [5 signs] and the identifier for the hardware release [2 signs, now 02], separated by a semicolon.

The point on the label is the identifier for pin 1 of the module.

ES stands for Engineering Samples, please refer to chapter General Information.

02 is the hardware revision.

### 20. RECOMMENDED FOOT PATTERN Empfohlenes Land Pattern



HIGH FREQUENCY PRODUCTS DIVISION Module Business PANASONIC ELECTRONIC DEVICES EUROPE GmbH	APPROVED genehmigt	CHECKED geprüft	DESIGNED erstellt
--	-----------------------	--------------------	----------------------

CLASSIFICATION Einstufung	PRODUCT SPECIFICATION Produktspezifikation	No. DS-2355-900-102	REV. F
SUBJECT Thema	ISM MODULE PAN2355 868/915MHZ 500KBAUD Basis is CC1100 from Chipcon	PAGE Seite	14 of 21
CUSTOMER'S CODE PAN2355	PANASONIC CODE ENW59611N3A	DATE Datum	08.05.2007

## 21. RELIABILITY TESTS

### Zuverlässigkeitstests

The measurement should be done after storage room temperature and normal humidity for 1 hour.  
Die Messungen sollten erst nach einer Stunde Lagerung unter normalen Bedingungen erfolgen.

No.	Item Punkt	Limit Grenzwerte	Condition Bedingung
1	Vibration test	Electrical parameter should be in specification	a) Freq.:10~50Hz, Amplitude:1.5mm a) 20min. / cycle, 1hrs. each of XYZ axis b) Freq.:30~100Hz, 6G b) 20min. / cycle, 1hrs. each of XYZ axis
2	Shock test	the same as the above	Dropped onto hard wood from height of 50cm for 3 times
3	Heat cycle test	the same as the above	-40°C for 30min. and +85°C for 30min.; each temperature 300 cycles
4	Moisture test	the same as the above	+60°C, 90% RH, 300h
5	Low temp. test	the same as the above	-40°C, 300h
6	High temp. test	the same as the above	+85°C, 300h

## 22. CAUTIONS

### Warnungen

#### 22.1. NOTES OF DESIGN

##### Designhinweise

- (1) Please follow the condition written in this specification.
- (2) This product should not be stressed when installed.
- (3) Please keep this product the module away from heat.
- (4) The supply voltage should not be exceeding or reverse, and should not carry noise and spike.
- (5) Please keep this product away from other high frequency circuits.
- (6) Please follow the condition written in this interface specification, about the control signals of this module.

#### 22.2. NOTES OF INSTALLATION

##### Verarbeitungshinweise

- (1) Reflow soldering is possible for twice on the condition in chapter 16.  
Please set up the temperature at the soldering portion of this product according to this reflow profile.
- (2) This product should not be stressed or vibrated when reflowed.
- (3) Please keep the following conditions when you install this product for reparation by hand soldering.
- (4) Please do not wash this product.
- (5) Please refer to the recommended pattern when designing a board.

HIGH FREQUENCY PRODUCTS DIVISION Module Business PANASONIC ELECTRONIC DEVICES EUROPE GmbH	APPROVED genehmigt	CHECKED geprüft	DESIGNED erstellt
--	-----------------------	--------------------	----------------------

CLASSIFICATION Einstufung	PRODUCT SPECIFICATION Produktspezifikation	No. DS-2355-900-102	REV. F
SUBJECT Thema	ISM MODULE PAN2355 868/915MHZ 500KBAUD Basis is CC1100 from Chipcon	PAGE Seite	15 of 21
CUSTOMER'S CODE PAN2355	PANASONIC CODE ENW59611N3A	DATE Datum	08.05.2007

### 22.3. NOTES OF USAGE CONDITIONS

#### Benutzerhinweise

- (1) Please take measure against static electricity.
- (2) Please do not use the fallen product.
- (3) Please do not put on damage and dirt to the pin , and don't touch the electric components.
- (4) Please follow the condition written in the ratings , about the power supply instruments applied to this product.
- (5) Electrode peeling strength: Do not add pressure of more than **4.9N** when soldered on PCB

### 22.4. NOTES OF STORAGE

#### Lagerhinweise

- (1) Storage period: Please check the adhesive strength of the embossed tape and soldering after 6 months of storage.
- (2) Please keep this product away from water, poisonous gas and corrosive gas.
- (3) This product should not be stressed or shocked when transported.
- (4) Please follow the specification when piling up the packed crate ( max. 10).

### 22.5. OTHER CAUTIONS

#### Weitere Hinweise

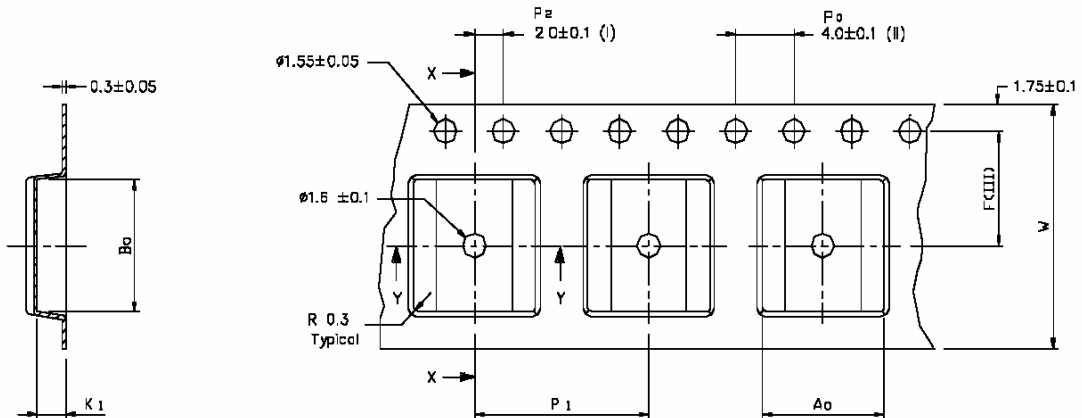
- (1) This specification sheet is copyrighted. Please do not open it to the third party.
- (2) Please do not use this product of our company for another purpose.
- (3) Be sure to provide an appropriate fail-safe function on your product to prevent a second damage that may be caused by the abnormal function or the failure of our product.
- (4) This product has not been manufactured with any ozone chemical controlled under the Montreal Protocol.
- (5) When you have any question or uncertainty , both of you and Panasonic sincerely cope with it.

HIGH FREQUENCY PRODUCTS DIVISION Module Business PANASONIC ELECTRONIC DEVICES EUROPE GmbH	APPROVED genehmigt	CHECKED geprüft	DESIGNED erstellt
--	-----------------------	--------------------	----------------------

CLASSIFICATION Einstufung	PRODUCT SPECIFICATION Produktspezifikation	No. DS-2355-900-102	REV. F
SUBJECT Thema	ISM MODULE PAN2355 868/915MHZ 500KBAUD Basis is CC1100 from Chipcon	PAGE Seite	16 of 21
CUSTOMER'S CODE PAN2355	PANASONIC CODE ENW59611N3A	DATE Datum	08.05.2007

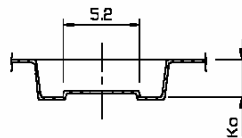
## 23. PACKAGING Verpackung

### 23.1. TAPE DIMENSION



SECTION X - X

A <sub>0</sub>	8.40	+/-0.1
B <sub>0</sub>	8.70	+/-0.1
K <sub>0</sub>	2.50	+/-0.1
K <sub>1</sub>	2.00	+/-0.1
F	7.50	+/-0.1
P <sub>1</sub>	12.00	+/-0.1
W	16.00	+/-0.3



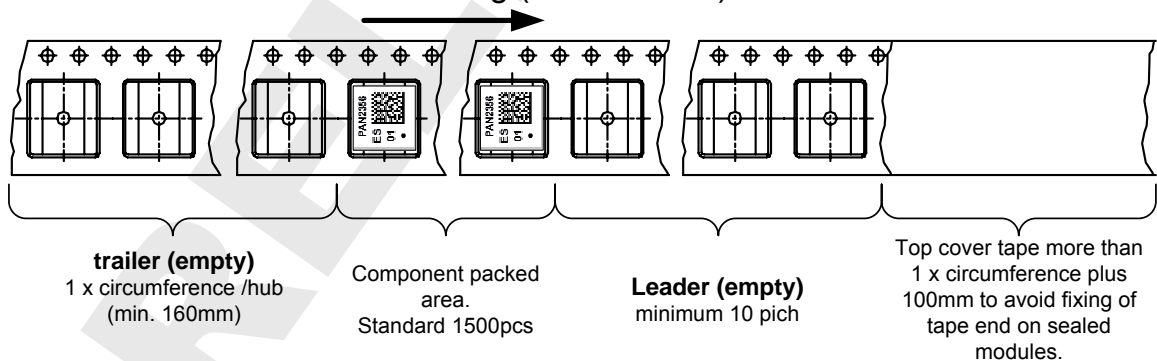
SECTION Y - Y

- (I) Measured from centreline of sprocket hole to centreline of pocket.
- (II) Cumulative tolerance of 10 sprocket holes is ± 0.20.
- (III) Measured from centreline of sprocket hole to centreline of pocket.
- (IV) Other material available

ALL DIMENSIONS IN MILLIMETRES UNLESS OTHERWISE STATED.

### 23.2. PACKING IN TAPE

Direction of unreeling (for customer)



Empty hollow in component packed area shall be less than two per reel and those hollows shall not be consecutive.

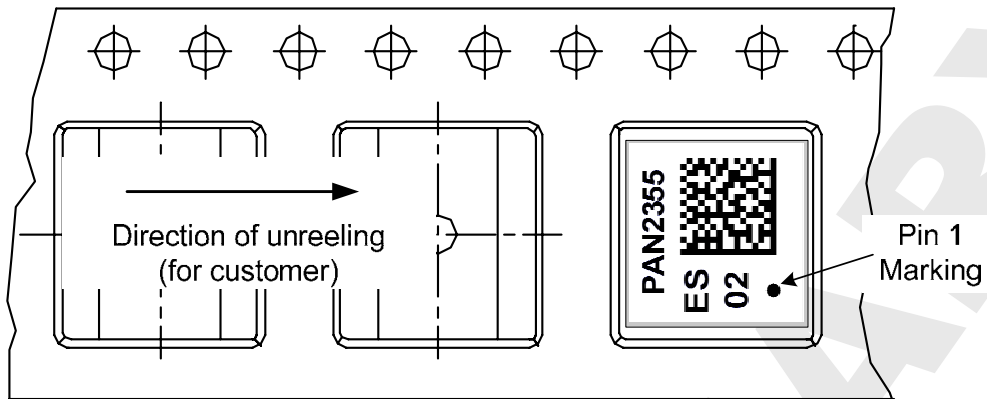
Top cover tape shall not be found on reel holes and shall not stick out from reel.

HIGH FREQUENCY PRODUCTS DIVISION Module Business PANASONIC ELECTRONIC DEVICES EUROPE GmbH	APPROVED genehmigt	CHECKED geprüft	DESIGNED erstellt
--	-----------------------	--------------------	----------------------



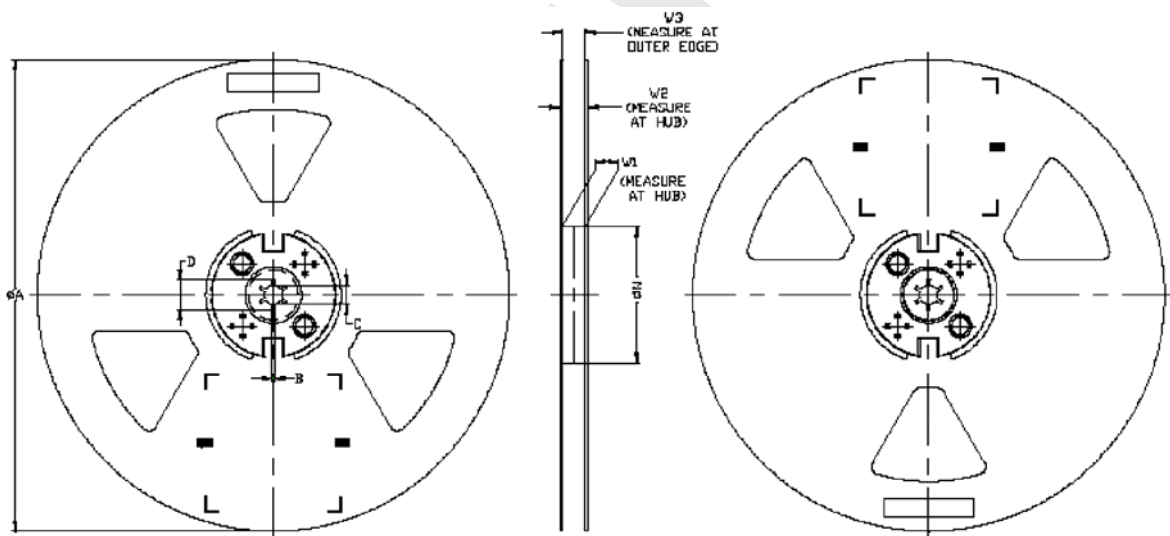
CLASSIFICATION Einstufung	PRODUCT SPECIFICATION Produktspezifikation	No. DS-2355-900-102	REV. F
SUBJECT Thema	ISM MODULE PAN2355 868/915MHZ 500KBAUD Basis is CC1100 from Chipcon	PAGE Seite	17 of 21
CUSTOMER'S CODE PAN2355	PANASONIC CODE ENW59611N3A	DATE Datum	08.05.2007

### 23.3. COMPONENT DIRECTION Komponentenanordnung



Please refer also to chapter 19. Labelling Drawing (top view)

### 23.4. REEL DIMENSION



TAPE SIZE	A MAX	B MIN	C	D MIN	N ±1.0	W1	W2 MAX	W3	Assembly Method
16mm	330.0	1.5	13 <sup>+0.5</sup> <sub>-0.2</sub>	20.2	100.0	17.0 <sup>+2.0</sup> <sub>-0.0</sub>	22.4	16.4 <sup>+3.0</sup> <sub>-0.5</sub>	*Latch

All dimensions in millimeters unless otherwise stated

\*Latch (2PC)

HIGH FREQUENCY PRODUCTS DIVISION Module Business PANASONIC ELECTRONIC DEVICES EUROPE GmbH	APPROVED genehmigt	CHECKED geprüft	DESIGNED erstellt
--	-----------------------	--------------------	----------------------

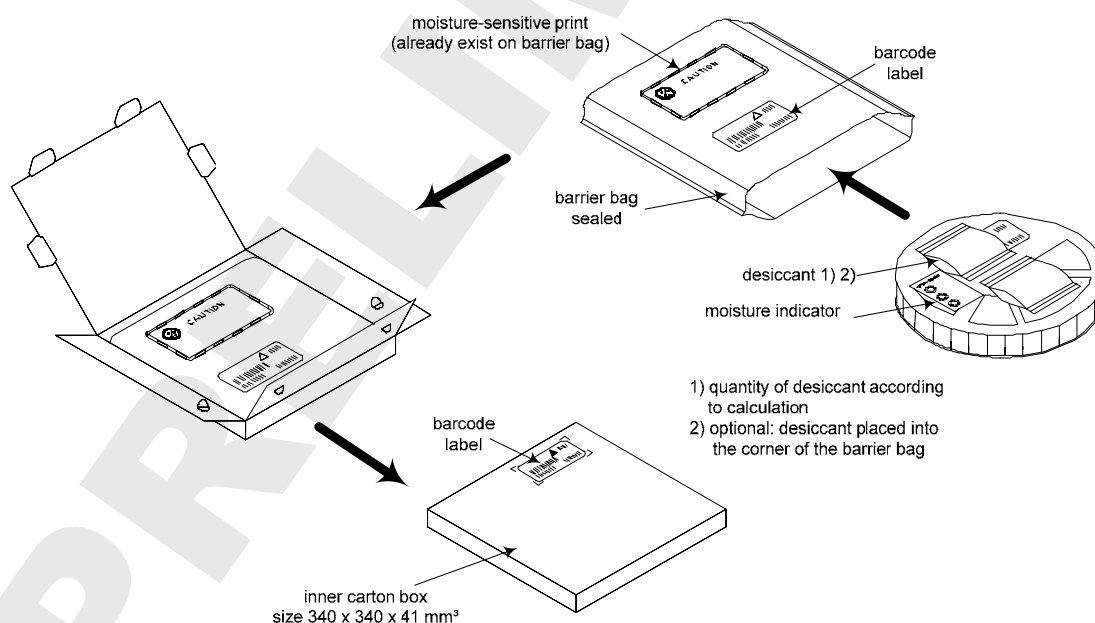
CLASSIFICATION Einstufung	PRODUCT SPECIFICATION Produktspezifikation	No. DS-2355-900-102	REV. F
SUBJECT Thema	ISM MODULE PAN2355 868/915MHZ 500KBAUD Basis is CC1100 from Chipcon	PAGE Seite	18 of 21
CUSTOMER'S CODE PAN2355	PANASONIC CODE ENW59611N3A	DATE Datum	08.05.2007

### 23.5. LABEL FOR PACKAGE



The label must be stick 3 times, reel, barrier bag and inner carton box.

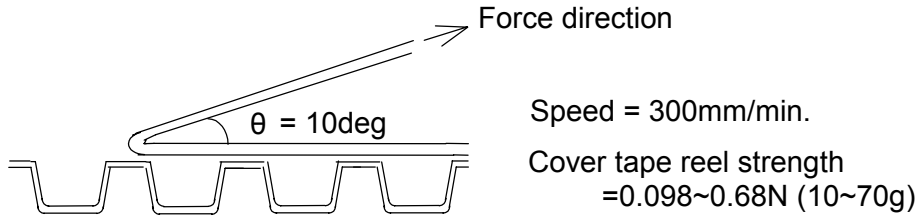
### 23.6. TOTAL PACKING HANDLING



HIGH FREQUENCY PRODUCTS DIVISION Module Business PANASONIC ELECTRONIC DEVICES EUROPE GmbH	APPROVED genehmigt	CHECKED geprüft	DESIGNED erstellt
--	-----------------------	--------------------	----------------------

CLASSIFICATION Einstufung	PRODUCT SPECIFICATION Produktspezifikation	No. DS-2355-900-102	REV. F
SUBJECT Thema	ISM MODULE PAN2355 868/915MHZ 500KBAUD Basis is CC1100 from Chipcon	PAGE Seite	19 of 21
CUSTOMER'S CODE PAN2355	PANASONIC CODE ENW59611N3A	DATE Datum	08.05.2007

23.7. COVER TAPE REEL STRENGTH



24. ORDERING INFORMATION  
Bestellinformationen

Ordering part number	Description	MOQ <sup>(1)</sup>
ENW5Z611N3A	Engineering Sample for PAN2355	1
ENW59611N3A <sup>(2)</sup>	Mass production sample for PAN2355	1500 <sup>(3)</sup>

Note:

- (1) Minimum order quantity.
- (2) Could only be ordered, if we released the mass production status.  
If we finishing, this document will change from PRELIMINARY to RELEASE also the revision status will move from alphabetic numbering to 1.0.
- (3) On special agreement we can also deliver in lower quantity!

HIGH FREQUENCY PRODUCTS DIVISION Module Business PANASONIC ELECTRONIC DEVICES EUROPE GmbH	APPROVED genehmigt	CHECKED geprüft	DESIGNED erstellt
--	-----------------------	--------------------	----------------------

CLASSIFICATION Einstufung	PRODUCT SPECIFICATION Produktspezifikation	No. DS-2355-900-102	REV. F
SUBJECT Thema	ISM MODULE PAN2355 868/915MHZ 500KBAUD Basis is CC1100 from Chipcon	PAGE Seite	20 of 21
CUSTOMER'S CODE PAN2355	PANASONIC CODE ENW59611N3A	DATE Datum	08.05.2007

## 25. ROHS DECLARATION

### RoHS-Erklärung

Declaration of environmental compatibility for supplied products:

Hereby we declare to our best present knowledge based on declaration of our suppliers that this product do not contain by now the following substances which are banned by Directive 2002/95/EC (RoHS) or if contain a maximum concentration of 0,1% by weight in homogeneous materials for

- Lead and lead compounds
- Mercury and mercury compounds
- Chromium (VI)
- PBB (polybrominated biphenyl) category
- PBDE (polybrominated biphenyl ether) category

And a maximum concentration of 0,01% by weight in homogeneous materials for

- Cadmium and cadmium compounds

## 26. DATA SHEET STATUS

### Datenblatt Status

This data sheet contains data from the PRELIMINARY specification. Supplementary data will be published at a later date. Panasonic reserves the right to change the specification without notice, in order to improve the design and supply the best possible product.

Please consult the most recently issued data sheet before initiating or completing a design.

## 27. RELATED DOCUMENTS

### Mitgeltende Dokumente

- [1] CC1100 Data Sheet (Rev. 1.1) SWRS038a
- [2] CC1100 Errata Note Rev 1.0
- [3] Application Note AN039 (Using the CC1100/CC1150 in the European 433 and 868 MHz ISM bands)

HIGH FREQUENCY PRODUCTS DIVISION Module Business PANASONIC ELECTRONIC DEVICES EUROPE GmbH	APPROVED genehmigt	CHECKED geprüft	DESIGNED erstellt
--	-----------------------	--------------------	----------------------

CLASSIFICATION Einstufung	PRODUCT SPECIFICATION Produktspezifikation	No. DS-2355-900-102	REV. F
SUBJECT Thema	ISM MODULE PAN2355 868/915MHZ 500KBAUD Basis is CC1100 from Chipcon	PAGE Seite	21 of 21
CUSTOMER'S CODE PAN2355	PANASONIC CODE ENW59611N3A	DATE Datum	08.05.2007

## 28. GENERAL INFORMATION

### Allgemeine Informationen

© Panasonic Electronic Devices Europe GmbH 2007.

All rights reserved.

This product description does not lodge the claim to be complete and free of mistakes.

Please contact the related product manager in every case.

If we deliver samples to the customer, these samples have the status Engineering Samples. This means, the design of this product is not yet concluded. Engineering Samples may be partially or fully functional, and there may be differences to be published Data Sheet. Engineering Samples are not qualified and are not to be used for reliability testing or series production.

### **Waiver:**

Customer acknowledges that samples may deviate from the Data Sheet and may bear defects due to their status of development and the lack of qualification mentioned above.

Panasonic rejects any liability or product warranty for Engineering Samples. In particular, Panasonic waives liability for damages caused by

- the use of the Engineering Sample other than for Evaluation Purposes, particularly the installation or integration in an other product to be sold by Customer,
- deviation or lapse in function of Engineering Sample,
- improper use of Engineering Samples.

Panasonic waives any liability for consequential and incidental damages.

In case of any questions, please contact your local sales partner or the related product manager.

## 29. LIFE SUPPORT POLICY

### Politik für Lebenserhaltungssysteme

This Panasonic product is not designed for use in life support appliances, devices, or systems where malfunction can reasonably be expected to result in a significant personal injury to the user, or as a critical component in any life support device or system whose failure to perform can be reasonably expected to cause the failure of the life support device or system, or to affect its safety or effectiveness. Panasonic customers using or selling these products for use in such applications do so at their own risk and agree to fully indemnify Panasonic for any damages resulting

HIGH FREQUENCY PRODUCTS DIVISION Module Business PANASONIC ELECTRONIC DEVICES EUROPE GmbH	APPROVED genehmigt	CHECKED geprüft	DESIGNED erstellt
--	-----------------------	--------------------	----------------------