

## Product Change Notification

**PCN Number** : PCN142

**Product Category** : Cable Assemblies – Power Cords / Electrical Power Cables

**Issue Date** : 13 - January - 2020

**Effective Date** : 13 - January - 2020

**LTB Date** : N/A

**LTD Date** : N/A

**Reason For Change** : Change to the markings on H05VV-F 3x1.00mm<sup>2</sup> power cord.

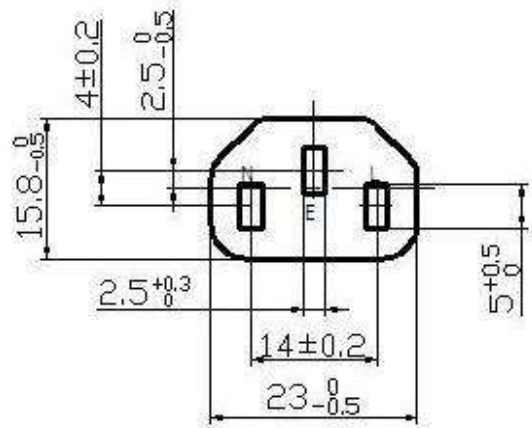
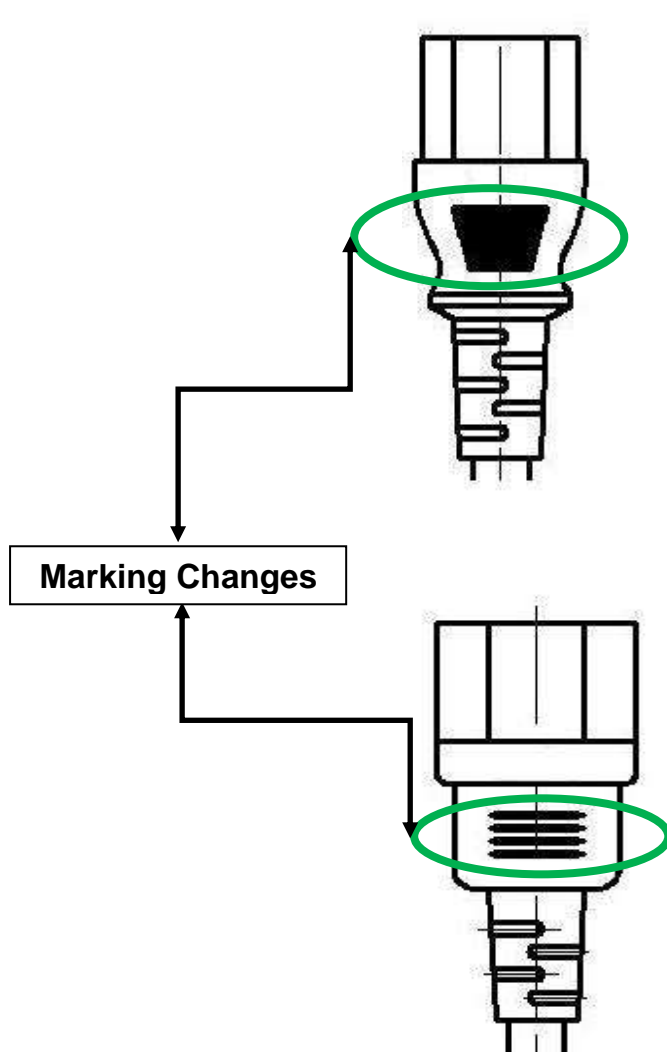
**Description of Change** : The markings on the over molding have changed due to a change in the cable partner used in the manufacturer of the power cord. All power cords have been manufactured in accordance with the International Standard IEC 60227. There is no change to the product specification.

**Change to Form Fit Function** : There is no change in Form, Fit or Function.

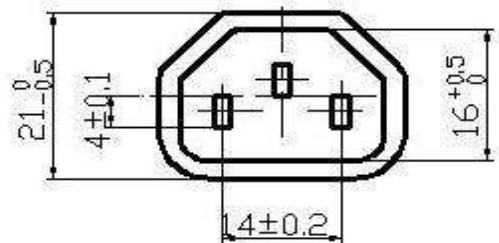
**Part Affected** : Below are the list of part which are affected.

FARNELL SKU	NEWARK SKU	MANUFACTURER PART NUMBER
1283812	24M5729	PE00058

The changes have been made to the markings on the over molding as shown below in Figure 1 and Figure 2.



**FIGURE-1**



**FIGURE-2**

**Cable Marking Changes :**

Production Date	Cord Used : 2.00mts H05VV-F 3x1.00 mm <sup>2</sup> black
Original Marking	Cord branded QIAOTONG
JUN-2019	Cord brand changed to QIAOPU
NOV-2019	Cord brand changed to LIANSHENG

**Important Notice :** This PCN and its contents (the "Information") belong to the members of the AVNET group of companies (the "Group") or are licensed to it. No licence is granted for the use of it other than for information purposes in connection with the products to which it relates. No licence of any intellectual property rights is granted. The Information is subject to change without notice and replaces all data sheets previously supplied. The Information supplied is believed to be accurate but the Group assumes no responsibility for its accuracy or completeness, any error in or omission from it or for any use made of it. Users of this data sheet should check for themselves the Information and the suitability of the products for their purpose and not make any assumptions based on information included or omitted. Liability for loss or damage resulting from any reliance on the Information or use of it (including liability resulting from negligence or where the Group was aware of the possibility of such loss or damage arising) is excluded. This will not operate to limit or restrict the Group's liability for death or personal injury resulting from its negligence. pro-ELEC is the registered trademark of Premier Farnell Limited 2019.