

SYLVANIA Luminaires

Area Light



Product Features

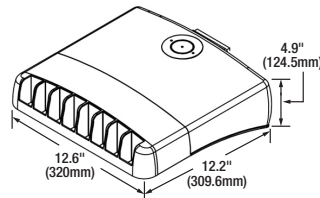
- Integrated photocontrol receptacle compatible with 3 or 5 pin photosensors
- Slim design with multiple mounting and distribution options
- Robust fixture with IP66 and 3G Vibration rating
- Energy savings up to 68%

Wattage Comparison Chart

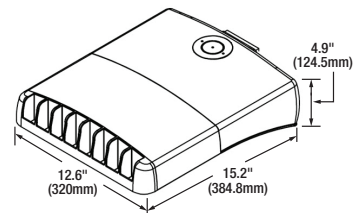
Traditional Source	Traditional System Wattage	LED System Wattage	Energy Savings
100W HPS	120	70	42%
100W MH	130	70	46%
150W HPS	170	70	59%
150W MH	188	70	63%
175W MH	210	70	67%
175W MH	210	110	48%
250W HPS	295	110	63%
250W MH	290	110	62%
250W HPS	295	145	51%
250W MH	290	145	50%
320W MH	370	145	61%
400W HPS	460	145	68%
400W MH	450	145	68%

Catalog #	Type
Project	
Notes	
Date	
Prepared by	

70W



110W/145W



Specifications

Weight: 70W: 9.7lbs (4.4kg) 110/145W: 11.5lbs (5.2kg)
Slip fitter/Pole Mount: 2.7lbs (1.2kg)

Construction: Cast aluminum alloy housing with powder coat paint finish and UV stabilized polycarbonate lens. The standard color is bronze.

EPA (Effective Protection Area): 70W: 0.27ft², with knuckle: 0.45ft²
110/145W: 0.38ft², with knuckle: 0.56ft²

LED System: LED system with a life rating of ≥140,000 hours at L₇₀ @25°C. Luminaire efficacy up to 130 LPW.

Electrical: Offered in 70, 110, and 145 Watts, the luminaire is designed to operate through the 120-277 V_{AC} voltage. The LED driver has a 4kV surge suppression and is a constant current device, meeting UL1310 and UL48 Class 1 with built-in over temperature protection. The power factor is ≥90% and THD is ≤20%.

Integrated NEMA photocontrol receptacle compatible with 3 or 5 pin photosensors.

Dimming: The driver is 0-10V dimmable.

Color Characteristics: CRI>80; CCT of 4000K or 5000K.

Optics: Type III, IV, V distribution with UV stabilized polycarbonate lens.

Installation: Fixture mounting options include: arm for 4" square pole, flat surface, or knuckle tenon mount for 1-1/4" to 2" tenon. Flood light mounting permit up to 45° angle. Do not mount lens facing upwards. Mounting accessories sold separately.

Operating Temperature: -40°F to +104°F (-40°C to +40°C).

Listings: cULus listed to UL1598 standards for wet locations and IP66 rated.

Warranty: Standard 5-year luminaire warranty (LEDLUM001).

Note: Specifications subject to change without notice. IES files available online.



Ordering Guide

Item Number:

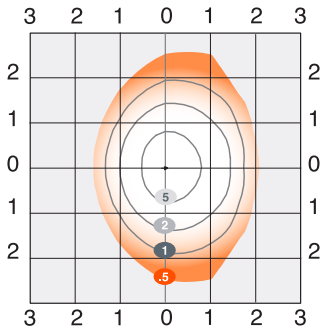
AREAFLD	1A	/	XXX	UNV	D	8	XX	/	XX	/	BZ
Product Name	Generation		Wattage	Voltage	Dimming	CRI	Color Temp (CCT)		Distribution		Color/Finish
AREAFLD	1A		070 = 70W 110 = 110W 145 = 145W	UNV = 120-277V	D = 0-10V	8 = >80	40 = 4000K 50 = 5000K		T3 = Type III T4 = Type IV T5 = Type V		BZ = Bronze



Photometric Data

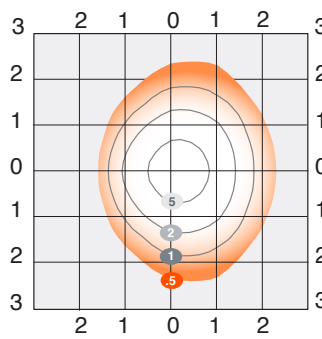
70W Type III Distribution

Isofootcandle Lines at 15' Mounting Height



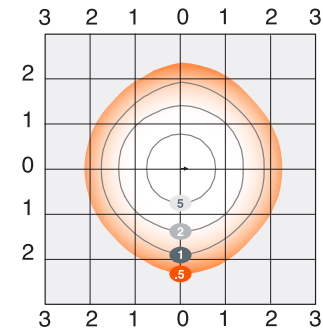
70W Type IV Distribution

Isofootcandle Lines at 15' Mounting Height



70W Type V Distribution

Isofootcandle Lines at 15' Mounting Height

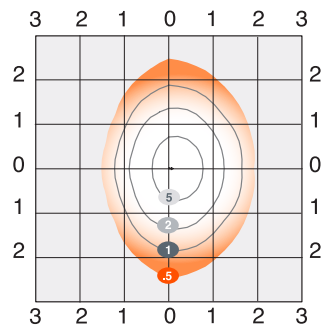


For other mounting heights apply the following multipliers:

Mounting Height	10'	12'	15'	18'	20'	25'
Multiplier	2.25	1.56	1.00	0.69	0.56	0.36

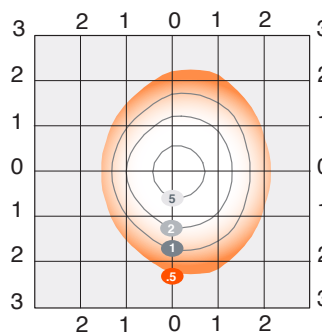
110W and 145W Type III Distribution

Isofootcandle Lines at 20' Mounting Height



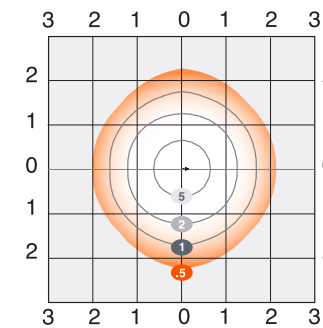
110W and 145W Type IV Distribution

Isofootcandle Lines at 20' Mounting Height



110W and 145W Type V Distribution

Isofootcandle Lines at 20' Mounting Height



For other mounting heights apply the following multipliers:

Mounting Height	15'	18'	20'	22'	25'	30'
Multiplier	1.78	1.23	1.00	0.83	0.64	0.44

For 145W use
1.4 multiplier.

Ordering Information

Item Number	Ordering Abbreviation	Power (W)	Input Voltage	Dimming	CRI	Color Temp (CCT)	Distribution	Total Fixture Lumens	DLC	LPW**
70956	AREAFLD1A/070UNVD840/T3/BZ	70	120-277	0-10V	>80	4000K	Type III	8,100	Prem	116
71078	AREAFLD1A/070UNVD840/T4/BZ	70	120-277	0-10V	>80	4000K	Type IV*	8,200	Prem	117
71079	AREAFLD1A/070UNVD840/T5/BZ	70	120-277	0-10V	>80	4000K	Type V*	8,500	Prem	121
71153	AREAFLD1A/070UNVD850/T3/BZ	70	120-277	0-10V	>80	5000K	Type III	8,600	Prem	123
71170	AREAFLD1A/070UNVD850/T4/BZ	70	120-277	0-10V	>80	5000K	Type IV*	8,700	Prem	125
71171	AREAFLD1A/070UNVD850/T5/BZ	70	120-277	0-10V	>80	5000K	Type V*	9,000	Prem	130
60037	AREAFLD1A/0110UNVD840/T3/BZ	110	120-277	0-10V	>80	4000K	Type III	12,600	Prem	117
60038	AREAFLD1A/0110UNVD840/T4/BZ	110	120-277	0-10V	>80	4000K	Type IV*	12,700	Prem	117
60039	AREAFLD1A/0110UNVD840/T5/BZ	110	120-277	0-10V	>80	4000K	Type V*	13,300	Prem	123
60040	AREAFLD1A/0110UNVD850/T3/BZ	110	120-277	0-10V	>80	5000K	Type III	13,300	Prem	124
60041	AREAFLD1A/0110UNVD850/T4/BZ	110	120-277	0-10V	>80	5000K	Type IV*	13,300	Prem	125
60042	AREAFLD1A/0110UNVD850/T5/BZ	110	120-277	0-10V	>80	5000K	Type V*	13,300	Prem	124
60031	AREAFLD1A/145UNVD840/T3/BZ	145	120-277	0-10V	>80	4000K	Type III	17,000	Prem	116
60032	AREAFLD1A/145UNVD840/T4/BZ	145	120-277	0-10V	>80	4000K	Type IV*	17,100	Prem	117
60033	AREAFLD1A/145UNVD840/T5/BZ	145	120-277	0-10V	>80	4000K	Type V*	17,900	Prem	122
60034	AREAFLD1A/145UNVD850/T3/BZ	145	120-277	0-10V	>80	5000K	Type III	17,000	Prem	117
60035	AREAFLD1A/145UNVD850/T4/BZ	145	120-277	0-10V	>80	5000K	Type IV*	17,000	Prem	117
60036	AREAFLD1A/145UNVD850/T5/BZ	145	120-277	0-10V	>80	5000K	Type V*	17,900	Prem	123

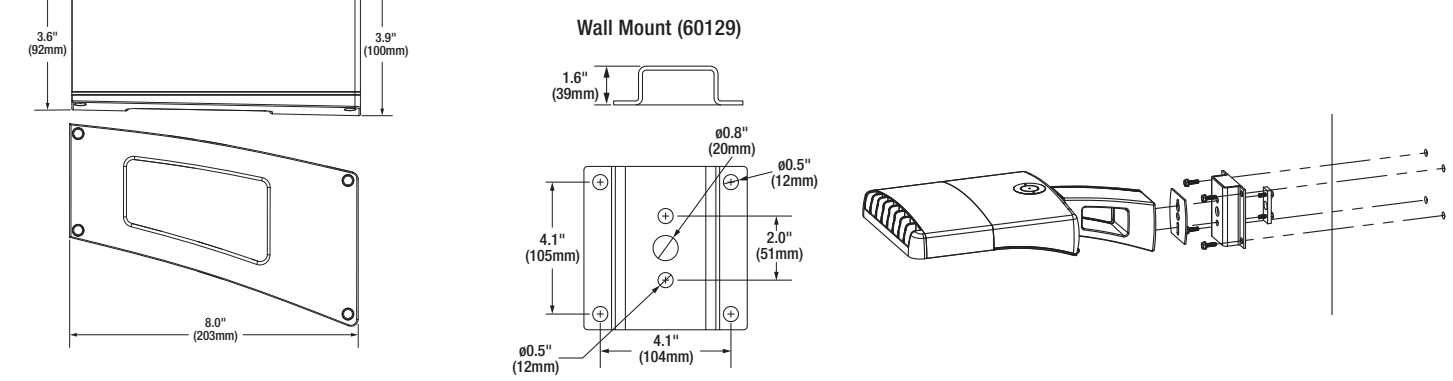
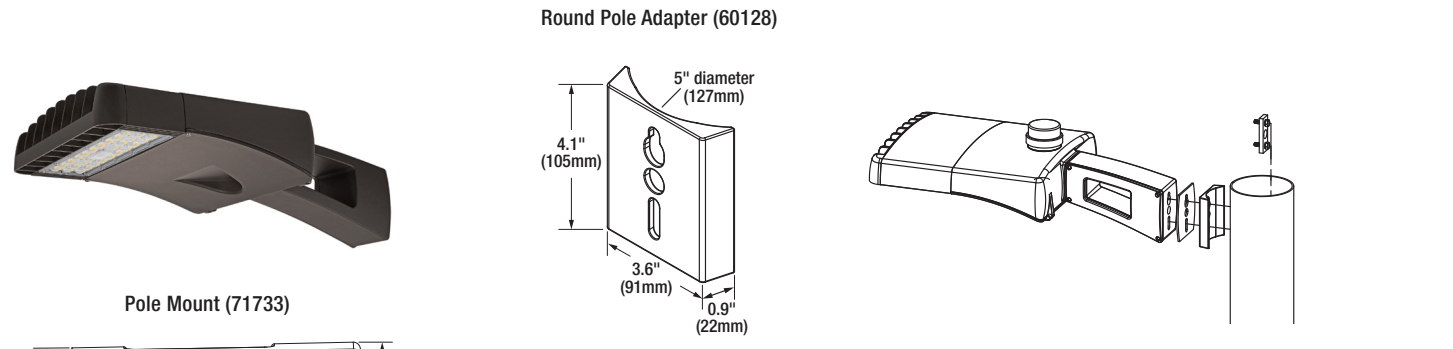
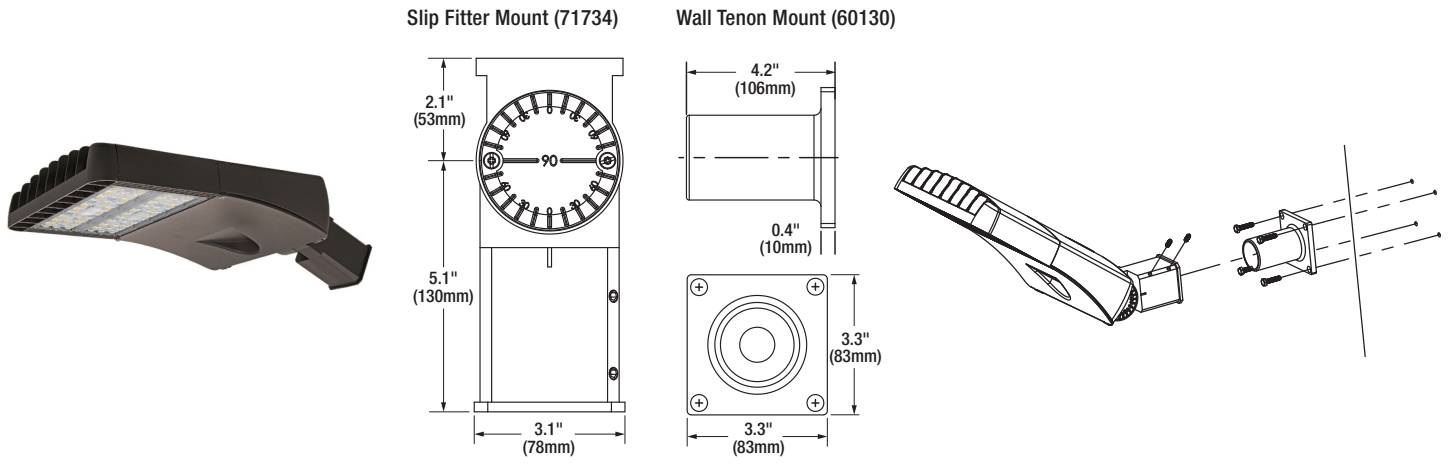
*Made to order with lead time

**LPW per LM79 report

For further information and to learn more about utility rebates, contact your local SYLVANIA sales representative.

Accessories and Replacement Parts

Item Number	Ordering Abbreviation	Item Description
71734	AREAFLD1A/SLIPFITTER/BZ	Slip Fitter Mount, Bronze
71733	AREAFLD1A/POLEMOUNT/BZ	Pole Mount, Bronze
60128	AREAFLD1A/RNDADAPT/BZ	Round Adapter, Bronze (Compatible with Pole Mount)
60129	AREAFLD1A/WALLMNT/BZ	Wall Mount, Bronze (Compatible with Pole Mount)
60130	AREAFLD1A/WALLTENON/BZ	Wall Tenon Mount, Bronze (Compatible with Slip Fitter)



LEDVANCE LLC
 200 Ballardvale Street
 Wilmington, MA 01887 USA
 Phone 1-800-LIGHTBULB (1-800-544-4828)
 www.sylvania.com

SYLVANIA and LEDVANCE are registered trademarks.
 All other trademarks are those of their respective owners.
 Licensee of product trademark SYLVANIA in general lighting.
 Specifications subject to change without notice.

