

1

2

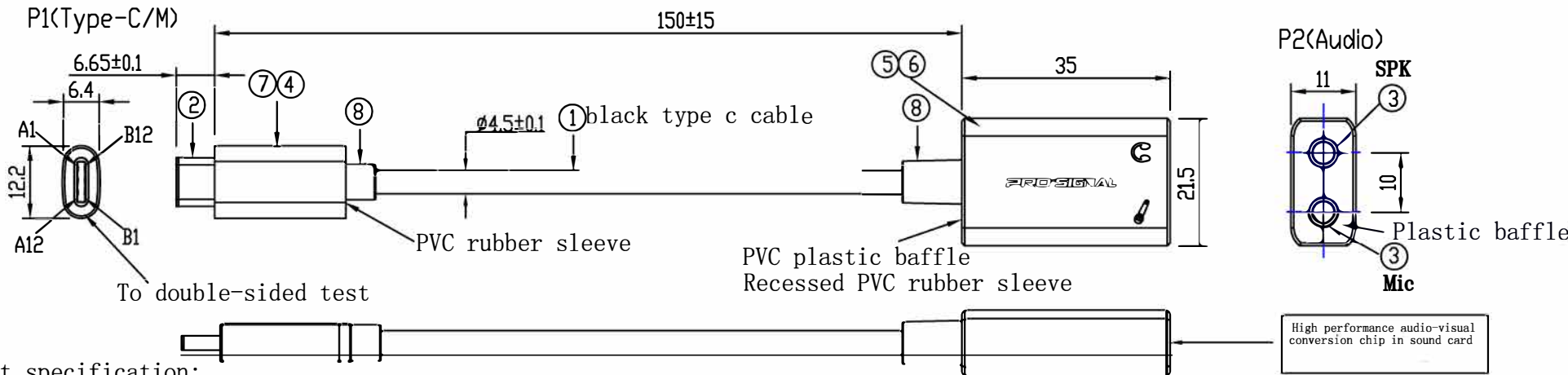
3

4

5

6

REV.	DESCRIPTION/REASON	MADE BY	APP'D BY	DATE
01	RELEASE FOR PRODUCTION			



product specification:

1. The built-in conversion chip can capture the sound signal USB2.0 and output it by 3.5jack.
2. No external power supply is required, working voltage: 3.3V 5V; input voltage: 5V
3. Support devices: desktop, laptop, apple computer, Apple Mac Book.
4. Support 5.1 stereo output.

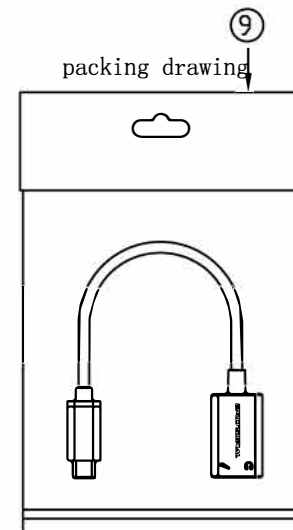
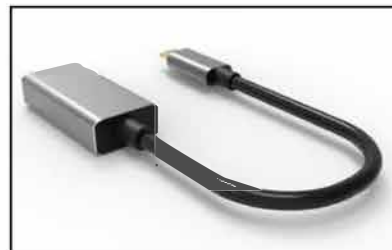
points for attention:

1. After the wire end is sent out by the warehouse, pay attention to the appearance self inspection and then put into production
2. Please refer to operation instruction for detailed operation mode
3. The shell at both ends shall not be scratched, scratched, and other defects. The baffle plates at both ends shall be assembled tightly without obvious gaps.
4. The molding part must not be filled with glue, lack of glue and dirty
5. The dimension of the finished product must be fully inspected in strict accordance with the drawing
6. Please refer to the company's publicity page or product manual for detailed instructions



P1(TYPE C/M)	colour	P2 (ø3.5 Jack)
A4	red	1
A7	white	2
A6	green	3
A12	black	4
GND	GND	

product picture:



Item	Name	PART No.	Description	Q'TY	UNIT	Remark
9						
8	PACK	451-079	White composite bag packaging	1	SET	
7	PVC	51-001	SR plate cover, black PVC 45p, black specific gravity less than 1.45	1	pcs	
6	PE	51-010	PE material low density natural color transparent molding inner mold	22	g	
				1	SET	
4	SHELL	42Y-AX1001	Small rectangular aluminum shell space gray L = 35mm, countersunk head on both sides + highlights	1	SET	
3	SHELL	42Y-AC2001	Type C small shell space gray aluminum shell side highlight	1	SET	
2	CONN	371-09M1110-5	Type C 3.0 male black rubber core iron shell gold plating	1	SET	
1	WIRE	337-307111102	CABLE (32#1P+DAM)*2+32+1P+26#2C+AS) Black TPE coverlet OD:4.5	170	MM	

CUSTOMER		REV.	A	DATE	2019-10-30	UNIT:	mm
	Type C to sound card L = space gray aluminum shell	DRAWN				UNSPECIFIED TOLERANCE	X.XX=±0.10 X.X=±0.5
FILE NAME	DWG	HUANG	SCALE	1:1	FINISH	APPROVED	PROJECTION
						A4	

1

2

3

4

5

6 Form No.