

Dual Output USB Car Charger

5V DC, 2A

multicomp PRO

**RoHS
Compliant**

Features

- 12V DC Input
- Car Charger Style Design
- Small & Compact
- 2 x 1A USB Output
- Over Load & Short Circuit Protections
- ErP Level V
- RoHS Compliant
- MTBF >50,000 hours

Specifications

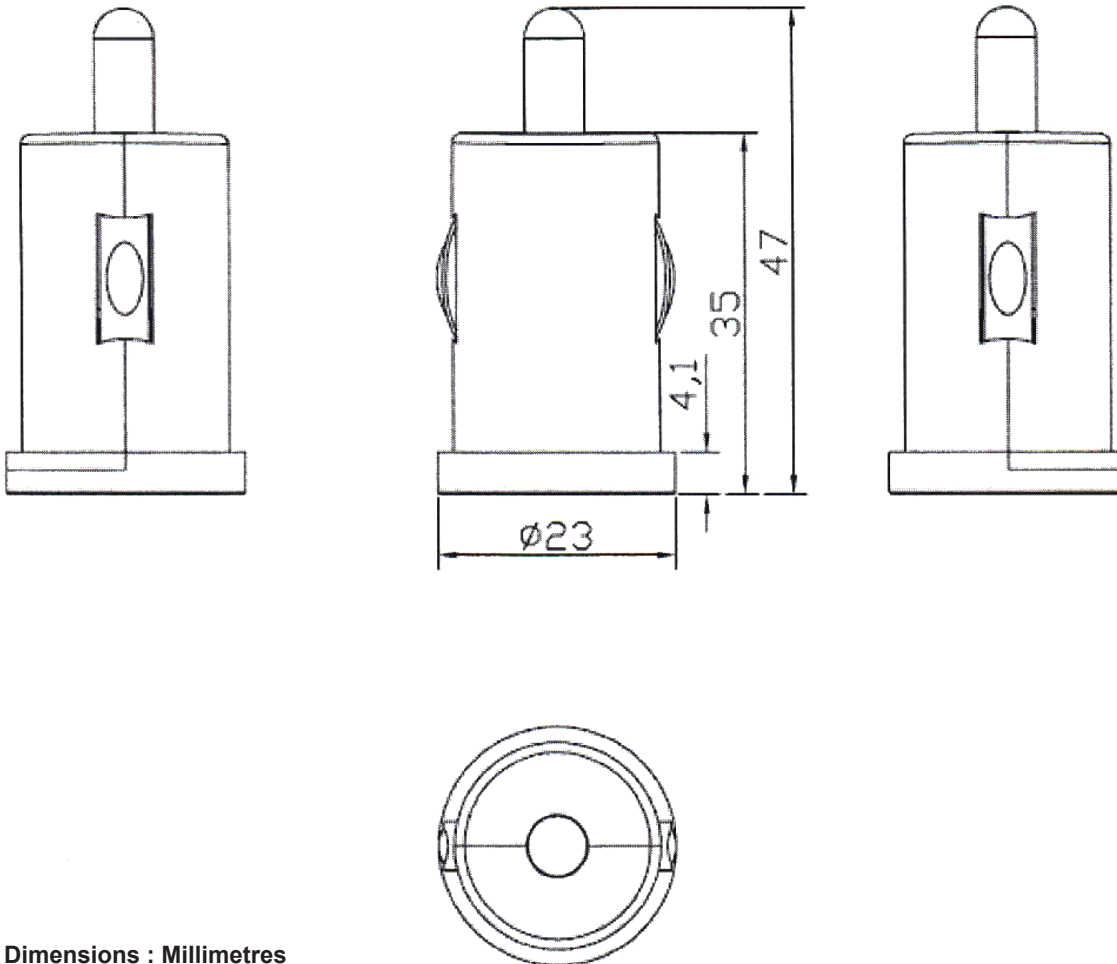
Input Voltage	12V DC (Nominal)
Input Current	<30 mA (No Load)
Power Inlet	Cigarette Lighter Style
Output Voltage	5V DC
Total Output Current	2Amp
Output Current Per Port	1Amp
Load Power	10Watts
USB Output	Dual Port 13 × 5mm USB Socket
Protections	Overload (Current / Power) Protection Short-Circuit Protection
Operating Temp	0°C to +25°C
Storage Temp	-20°C to +60°C
Operating Humidity	20% to 90%
Storage Humidity	0% to 100%
MTBF	50000 Hrs Min.
Burn-In Test	4 Hours 25°C, Full Load
EMC Requirements	CE, E-mark

Dual Output USB Car Charger

5V DC, 2A

multicomp PRO

Diagram



Dimensions : Millimetres

Part Number Table

Description	Part Number
USB Car Charger, Dual Output, 5V DC, 2A	MP001981

Important Notice : This data sheet and its contents (the "Information") belong to the members of the AVNET group of companies (the "Group") or are licensed to it. No licence is granted for the use of it other than for information purposes in connection with the products to which it relates. No licence of any intellectual property rights is granted. The Information is subject to change without notice and replaces all data sheets previously supplied. The Information supplied is believed to be accurate but the Group assumes no responsibility for its accuracy or completeness, any error in or omission from it or for any use made of it. Users of this data sheet should check for themselves the Information and the suitability of the products for their purpose and not make any assumptions based on information included or omitted. Liability for loss or damage resulting from any reliance on the Information or use of it (including liability resulting from negligence or where the Group was aware of the possibility of such loss or damage arising) is excluded. This will not operate to limit or restrict the Group's liability for death or personal injury resulting from its negligence. Multicomp Pro is the registered trademark of Premier Farnell Limited 2019.

Newark.com/multicomp-pro
 Farnell.com/multicomp-pro
 Element14.com/multicomp-pro

multicomp PRO