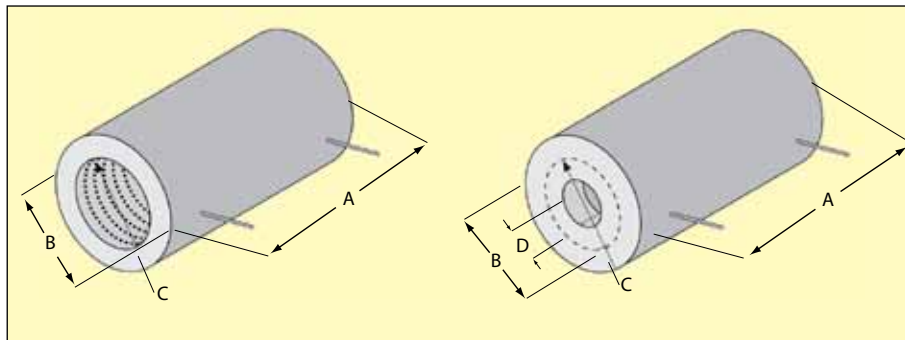


HIGH-TEMPERATURE, LOW-MASS, VACUUM-FORMED CERAMIC RADIANT HEATERS

Full Cylinder Heaters

CRFC Series



- ✓ Rated to 982°C (1800°F)
- ✓ Fast Heat-Up and Cool Down
- ✓ Greater Temperature Uniformity
- ✓ Lower Operating Costs
- ✓ Heating Element and Insulation in One

APPLICATIONS

- ✓ Tube Furnaces
- ✓ Annealing Ovens
- ✓ Pipe Heating

OMEGALUX® CRFC and CRWS Series radiant heaters are produced using high-quality and high-purity, vacuum-formed ceramic fiber, with low-sodium inorganic bond. Helically wound iron-chrome-aluminum wire elements assure top quality in this extra-efficient, low watt density series. The helically wound wire is embedded into the vacuum-formed ceramic fiber.

SPECIFICATIONS

Full and Semi Cylinders Models:

Wattage: 220 to 9500 Watts
Voltage: 60, 120 and 240 Vac
Leads: 10 Standard

Note: CR Series heaters are intended for "radiant" heat. Never let material to be heated come into contact with the face of the heater. It is recommended that the OD of tubes, pipes, or circular items to be used with the circular heaters be kept a minimum of 1/2" under the nominal inside "C" dimension.

To Order

		Dimensions in cm (")				Without Vestibules	With Vestibules
Watts	Volts	A*	B	C	D	Model No.	Model No.
220	60	15 (6)	8 (3)	2 (0.75)	0.6 (0.25)	CRFC-756/60-A	CRFC-756/60-C-A
440	120	30 (12)	8 (3)	2 (0.75)	0.6 (0.25)	CRFC-7512/120-A	CRFC-7512/120-C-A
250	60	15 (6)	8 (3)	3 (1)	1 (0.5)	CRFC-16/60-A	CRFC-16/60-C-A
500	120	30 (12)	8 (3)	3 (1)	1 (0.5)	CRFC-112/120-A	CRFC-112/120-C-A
300	60	15 (6)	8 (3)	3 (1.25)	2 (0.75)	CRFC-1256/60-A	CRFC-1256/60-C-A
600	120	30 (12)	8 (3)	3 (1.25)	2 (0.75)	CRFC-12512/120-A	CRFC-12512/120-C-A
350	60	15 (6)	9 (3.5)	4 (1.5)	3 (1)	CRFC-156/60-A	CRFC-156/60-C-A
650	120	30 (12)	9 (3.5)	4 (1.5)	3 (1)	CRFC-1512/120-A	CRFC-1512/120-C-A
435	120	15 (6)	10 (4)	5 (2)	4 (1.5)	CRFC-26/120-A	CRFC-26/120-C-A
870	120	30 (12)	10 (4)	5 (2)	4 (1.5)	CRFC-212/120-A	CRFC-212/120-C-A
700	115	15 (6)	13 (5)	8 (3)	5 (2)	CRFC-36/115-A	CRFC-36/115-C-A
1400	240	30 (12)	13 (5)	8 (3)	5 (2)	CRFC-312/240-A	CRFC-312/240-C-A
2100	240	46 (18)	13 (5)	8 (3)	5 (2)	CRFC-318/240-A	CRFC-318/240-C-A
900	240	15 (6)	18 (7)	10 (4)	6 (2.5)	CRFC-46/240-A	CRFC-46/240-C-A
1800	240	30 (12)	18 (7)	10 (4)	6 (2.5)	CRFC-412/240-A	CRFC-412/240-C-A
2700	240	46 (18)	18 (7)	10 (4)	6 (2.5)	CRFC-418/240-A	CRFC-418/240-C-A
1130	240	15 (6)	23 (9)	13 (5)	9 (3.5)	CRFC-56/240-A	CRFC-56/240-C-A
2260	240	30 (12)	23 (9)	13 (5)	9 (3.5)	CRFC-512/240-A	CRFC-512/240-C-A
3390	240**	46 (18)	23 (9)	13 (5)	9 (3.5)	CRFC-518/240-A	CRFC-518/240-C-A
4520	240**	61 (24)	23 (9)	13 (5)	9 (3.5)	CRFC-524/240-A	CRFC-524/240-C-A
1350	240	15 (6)	25 (10)	15 (6)	11 (4.5)	CRFC-66/240-A	CRFC-66/240-C-A
2700	240**	30 (12)	25 (10)	15 (6)	11 (4.5)	CRFC-612/240-A	CRFC-612/240-C-A
4000	240**	46 (18)	25 (10)	15 (6)	11 (4.5)	CRFC-618/240-A	CRFC-618/240-C-A

* Add 3" for units with vestibules. ** Dual 240 Vac circuits.

Ordering Example: CRFC-156/60-A, 350 watt heater with 4 cm (1.5") ID, 15 cm (6") long without vestibules.