

3-2213678-4 ✓ ACTIVE

LUMAWISE | LUMAWISE LED Holders

TE Internal #: 3-2213678-4

TE Internal Description: Z35 MINI LED HOLDER 12\*15MM

COUNTERSUNC

[View on TE.com >](#)



Connectors > Lighting Connectors > LED Holders



LED Manufacturer: **Bridgelux**

LED Family: **Bridgelux Dim-To-Warm DS150 9mm**

Optics Alignment: **No**

Enables Zhaga Compatibility: **Zhaga Inspired**

Operating Voltage: **60 VDC**

## Features

### Product Type Features

Product Type	LED Holder
COB Substrate Thickness	1 mm
Connector System	Wire-to-Board
Sealable	No
Connector & Contact Terminates To	Printed Circuit Board

### Configuration Features

Optics Alignment	No
Number of Positions	1

### Electrical Characteristics

Current Rating (Max)	3 A
Operating Voltage	60 VDC

### Body Features

LED Family	Bridgelux Dim-To-Warm DS150 9mm
------------	---------------------------------

### Contact Features

Contact Mating Area Plating Material	Gold
Contact Base Material	Copper Alloy
Contact Current Rating (Max)	3 A

#### Termination Features

Termination Method to Wire & Cable	Poke-In
------------------------------------	---------

#### Housing Features

Housing Material	PBT GF
------------------	--------

#### Usage Conditions

Operating Temperature Range	-40 – 105 °C[-40 – 105 °F]
-----------------------------	----------------------------

#### Operation/Application

Enables Zhaga Compatibility	Zhaga Inspired
Circuit Application	Power

#### Other

LED Manufacturer	Bridgelux
------------------	-----------

### Product Compliance

[For compliance documentation, visit the product page on TE.com>](#)

EU RoHS Directive 2011/65/EU	Compliant
EU ELV Directive 2000/53/EC	Compliant
China RoHS 2 Directive MIIT Order No 32, 2016	No Restricted Materials Above Threshold
EU REACH Regulation (EC) No. 1907/2006	Aktuelle ECHA Kandidatenliste: JUL 2019 (201) Kandidatenliste deklariert bezüglich: JUL 2019 (201) Enthält keine SVHC
EU REACH Regulation (EC) No. 1907/2006	Aktuelle ECHA Kandidatenliste: JUL 2019 (201) Kandidatenliste deklariert bezüglich: JUL 2019 (201)
Halogen Content	Low Bromine/Chlorine - Br and Cl < 900 ppm per homogenous material. Also BFR /CFR/PVC Free
Solder Process Capability	Not reviewed for solder process capability

#### Product Compliance Disclaimer

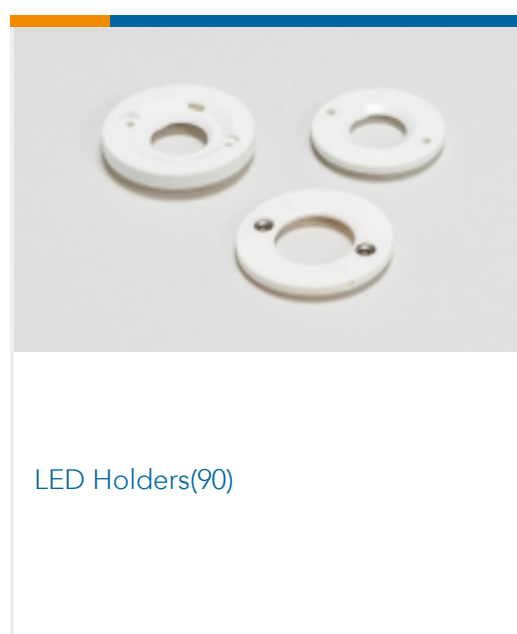
This information is provided based on reasonable inquiry of our suppliers and represents our current actual knowledge based on the information they provided. This information is subject to change. The part numbers that TE has identified as

EU RoHS compliant have a maximum concentration of 0.1% by weight in homogenous materials for lead, hexavalent chromium, mercury, PBB, PBDE, DBP, BBP, DEHP, DIBP, and 0.01% for cadmium, or qualify for an exemption to these limits as defined in the Annexes of Directive 2011/65/EU (RoHS2). Finished electrical and electronic equipment products will be CE marked as required by Directive 2011/65/EU. Components may not be CE marked. Additionally, the part numbers that TE has identified as EU ELV compliant have a maximum concentration of 0.1% by weight in homogenous materials for lead, hexavalent chromium, and mercury, and 0.01% for cadmium, or qualify for an exemption to these limits as defined in the Annexes of Directive 2000/53/EC (ELV). Regarding the REACH Regulations, TE's information on SVHC in articles for this part number is still based on the European Chemical Agency (ECHA) 'Guidance on requirements for substances in articles' (Version: 2, April 2011), applying the 0.1% weight on weight concentration threshold at the finished product level. TE is aware of the European Court of Justice ruling of September 10th, 2015 also known as O5A (Once An Article Always An Article) stating that, in case of 'complex object', the threshold for a SVHC must be applied to both the product as a whole and simultaneously to each of the articles forming part of its composition. TE has evaluated this ruling based on the new ECHA "Guidance on requirements for substances in articles" (June 2017, version 4.0) and will be updating its statements accordingly.

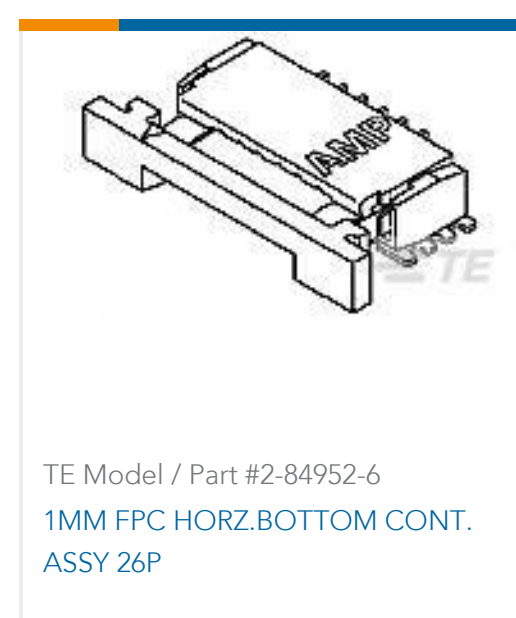
## Compatible Parts

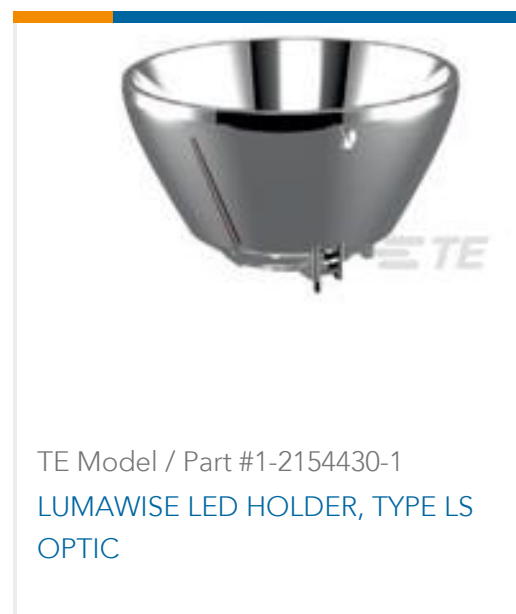


## Also in the Series | LUMAWISE LED Holders



## Customers Also Bought





## Documents

### Product Drawings

#### Z35 MINI LED HOLDER 12\*15MM COUNTERSUNC

English

### CAD Files

#### 3D PDF

3D

#### Customer View Model

[ENG\\_CVM\\_CVM\\_3-2213678-4\\_1.2d\\_dxf.zip](#)

English

#### Customer View Model

[ENG\\_CVM\\_CVM\\_3-2213678-4\\_1.3d\\_igs.zip](#)

English

#### Customer View Model

[ENG\\_CVM\\_CVM\\_3-2213678-4\\_1.3d\\_stp.zip](#)

English

By downloading the CAD file I accept and agree to the [Terms and Conditions](#) of use.

### Datasheets & Catalog Pages

#### LUMAWISE LED HOLDERS for Bridgelux Vesta Series DIM-TO-WARM COB LEDs

English

### Product Specifications

#### Application Specification

English

#### Application Specification

English



[Agency Approvals](#)

[UL Report](#)

English