

2343403-1 ✓ ACTIVE

LUMAWISE | LUMAWISE Endurance S

TE Internal #: 2343403-1

TE Internal Description: RECEPTACLE, LUMAWISE ENDURANCE S,
KEYED

[View on TE.com >](#)



Connectors > Lighting Connectors > Solid State Lighting > Zhaga Book 18 Street Light Connectors



Lighting Product Type: **Receptacle**

Housing Color: **Black**

Connector Diameter: **36.5 mm**

Product Height: **29.6 mm**

Keyed: **Yes**

Features

Product Type Features

| | |
|-----------------------|------------|
| Lighting Product Type | Receptacle |
| Sealable | Yes |

Configuration Features

| | |
|---------------------|-----|
| Keyed | Yes |
| Vented | No |
| Number of Positions | 4 |

Contact Features

| | |
|------------------------------|-----|
| Contact Current Rating (Max) | 5 A |
|------------------------------|-----|

Housing Features

| | |
|---------------|-------|
| Housing Color | Black |
|---------------|-------|

Dimensions

| | |
|--------------------|---------|
| Connector Diameter | 36.5 mm |
| Product Height | 29.6 mm |

Usage Conditions

| | |
|-----------------------------|-------------|
| Operating Temperature Range | -40 – 90 °C |
|-----------------------------|-------------|

Operation/Application

| | |
|---------------------|-------|
| Circuit Application | Power |
|---------------------|-------|

Industry Standards

| | |
|-------------------|----|
| Agency & Standard | UL |
|-------------------|----|

Product Compliance

[For compliance documentation, visit the product page on TE.com>](#)

| | |
|---|---|
| EU RoHS Directive 2011/65/EU | Not Yet Reviewed |
| EU ELV Directive 2000/53/EC | Compliant |
| China RoHS 2 Directive MIIT Order No 32, 2016 | No Restricted Materials Above Threshold |
| EU REACH Regulation (EC) No. 1907/2006 | Current ECHA Candidate List: JUL 2019 (201) Candidate List Declared Against: JAN 2019 (197) Does not contain REACH SVHC |
| EU REACH Regulation (EC) No. 1907/2006 | Current ECHA Candidate List: JUL 2019 (201) Candidate List Declared Against: JAN 2019 (197) |
| Halogen Content | Low Halogen - Br, Cl, F, I < 900 ppm per homogenous material. Also BFR/CFR/PVC Free |
| Solder Process Capability | Not applicable for solder process capability |

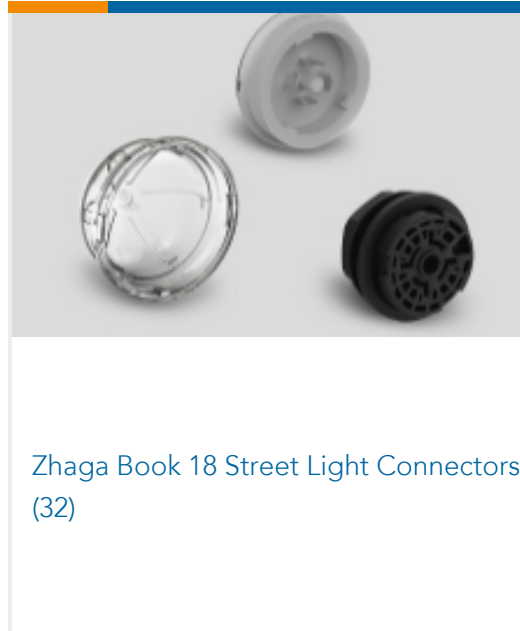
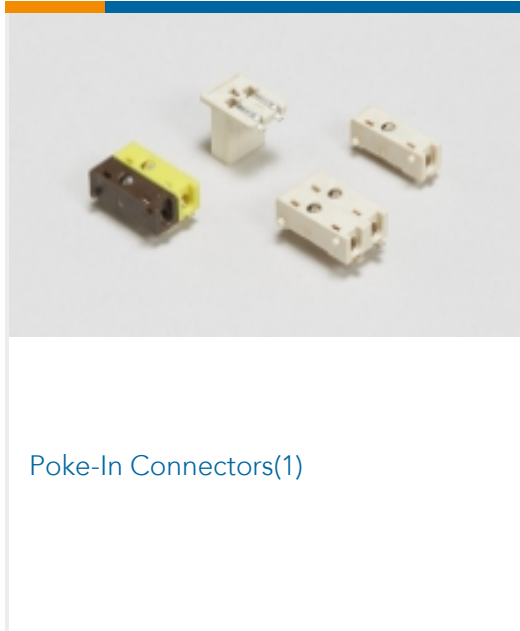
Product Compliance Disclaimer

This information is provided based on reasonable inquiry of our suppliers and represents our current actual knowledge based on the information they provided. This information is subject to change. The part numbers that TE has identified as EU RoHS compliant have a maximum concentration of 0.1% by weight in homogenous materials for lead, hexavalent chromium, mercury, PBB, PBDE, DBP, BBP, DEHP, DIBP, and 0.01% for cadmium, or qualify for an exemption to these limits as defined in the Annexes of Directive 2011/65/EU (RoHS2). Finished electrical and electronic equipment products will be CE marked as required by Directive 2011/65/EU. Components may not be CE marked. Additionally, the part numbers that TE has identified as EU ELV compliant have a maximum concentration of 0.1% by weight in homogenous materials for lead, hexavalent chromium, and mercury, and 0.01% for cadmium, or qualify for an exemption to these limits as defined in the Annexes of Directive 2000/53/EC (ELV). Regarding the REACH Regulations, TE's information on SVHC in articles for this part number is still based on the European Chemical Agency (ECHA) 'Guidance on requirements for substances in articles' (Version: 2, April 2011), applying the 0.1% weight on weight concentration threshold at the finished product level. TE is aware of the European Court of Justice ruling of September 10th, 2015 also known as O5A (Once An Article Always An Article) stating that, in case of 'complex object', the threshold for a SVHC must be applied to both the product as a whole and simultaneously to each of the articles forming part of its composition. TE has evaluated this ruling based on the new ECHA "Guidance on requirements for substances in articles" (June 2017, version 4.0) and will be updating its statements accordingly.

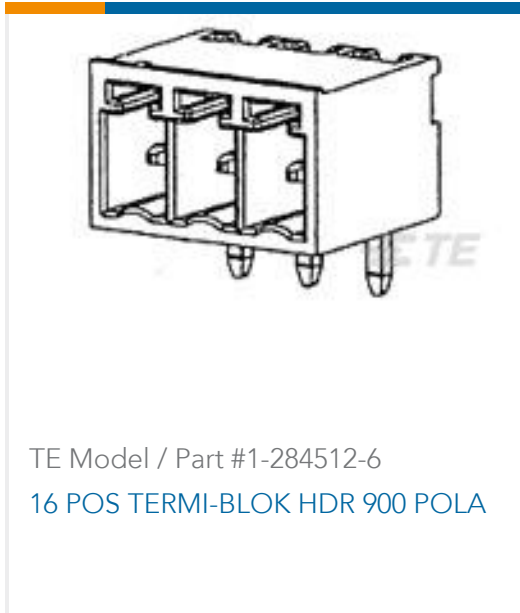
Compatible Parts



Also in the Series | **LUMAWISE Endurance S**



Customers Also Bought



Documents

Product Drawings

RECEPTACLE, LUMAWISE ENDURANCE S, KEYED

English

CAD Files

Customer View Model

ENG_CVM_CVM_2343403-1_1.2d_dxf.zip



English

Customer View Model

[ENG_CVM_CVM_2343403-1_1.3d_igs.zip](#)

English

Customer View Model

[ENG_CVM_CVM_2343403-1_1.3d_stp.zip](#)

English

3D PDF

3D

By downloading the CAD file I accept and agree to the [Terms and Conditions](#) of use.

Datasheets & Catalog Pages

[LUMAWISE STREET LIGHT DIMMING AND CONTROL QUICK REFERENCE GUIDE](#)

English

[Lumawise Endurance S Modules](#)

English

Product Specifications

[Application Specification](#)

English

Agency Approvals

[LUMAWISE Endurance S CB Test Report](#)

English

[LUMAWISE Endurance S CB Certificate](#)

English