

2343405-1 ✓ ACTIVE

LUMAWISE | LUMAWISE Endurance S

TE Internal #: 2343405-1

TE Internal Description: MODULE,40MM LUMAWISE ENDURANCE

S. KEYED

[View on TE.com >](#)



Connectors > Lighting Connectors > Solid State Lighting > Zhaga Book 18 Street Light Connectors



Lighting Product Type: **Light Controller Base**

Housing Color: **Gray**

Connector Diameter: **43.5 mm**

Product Height: **16.5 mm**

Keyed: **Yes**

Features

Product Type Features

Lighting Product Type	Light Controller Base
Sealable	Yes
Connector & Contact Terminates To	Printed Circuit Board

Configuration Features

Keyed	Yes
Vented	No
Number of Positions	4

Contact Features

Contact Current Rating (Max)	5 A
------------------------------	-----

Housing Features

Housing Color	Gray
---------------	------

Dimensions

Connector Diameter	43.5 mm
Product Height	16.5 mm

Usage Conditions

Operating Temperature Range	-40 – 90 °C
-----------------------------	-------------

Operation/Application

Circuit Application	Power
---------------------	-------

Industry Standards

Agency & Standard	UL
-------------------	----

Product Compliance


[For compliance documentation, visit the product page on TE.com>](#)

EU RoHS Directive 2011/65/EU	Not Yet Reviewed
EU ELV Directive 2000/53/EC	Compliant
China RoHS 2 Directive MIIT Order No 32, 2016	No Restricted Materials Above Threshold
EU REACH Regulation (EC) No. 1907/2006	Current ECHA Candidate List: JUL 2019 (201) Candidate List Declared Against: JAN 2019 (197) Does not contain REACH SVHC
EU REACH Regulation (EC) No. 1907/2006	Current ECHA Candidate List: JUL 2019 (201) Candidate List Declared Against: JAN 2019 (197)
Halogen Content	Low Halogen - Br, Cl, F, I < 900 ppm per homogenous material. Also BFR/CFR/PVC Free
Solder Process Capability	Reflow solder capable to 245°C

Product Compliance Disclaimer

This information is provided based on reasonable inquiry of our suppliers and represents our current actual knowledge based on the information they provided. This information is subject to change. The part numbers that TE has identified as EU RoHS compliant have a maximum concentration of 0.1% by weight in homogenous materials for lead, hexavalent chromium, mercury, PBB, PBDE, DBP, BBP, DEHP, DIBP, and 0.01% for cadmium, or qualify for an exemption to these limits as defined in the Annexes of Directive 2011/65/EU (RoHS2). Finished electrical and electronic equipment products will be CE marked as required by Directive 2011/65/EU. Components may not be CE marked. Additionally, the part numbers that TE has identified as EU ELV compliant have a maximum concentration of 0.1% by weight in homogenous materials for lead, hexavalent chromium, and mercury, and 0.01% for cadmium, or qualify for an exemption to these limits as defined in the Annexes of Directive 2000/53/EC (ELV). Regarding the REACH Regulations, TE's information on SVHC in articles for this part number is still based on the European Chemical Agency (ECHA) 'Guidance on requirements for substances in articles' (Version: 2, April 2011), applying the 0.1% weight on weight concentration threshold at the finished product level. TE is aware of the European Court of Justice ruling of September 10th, 2015 also known as O5A (Once An Article Always An Article) stating that, in case of 'complex object', the threshold for a SVHC must be applied to both the product as a whole and simultaneously to each of the articles forming part of its composition. TE has evaluated this ruling based on the new ECHA "Guidance on requirements for substances in articles" (June 2017, version 4.0) and will be updating its statements accordingly.

Compatible Parts



TE Model / Part # CAT-L97-D7124
LUMAWISE Endurance S Domes



TE Model / Part # 1-2329013-1
LUMAWISE 40MM DIA DOME CLEAR LOW

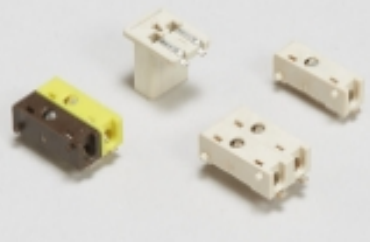


TE Model / Part # 2343403-1
RECEPTACLE, LUMAWISE ENDURANCE S, KEYED




TE Model / Part # 1-2343403-1
RECEPT ASSY, LUMAWISE ENDURO S, KEYED

Also in the Series | LUMAWISE Endurance S

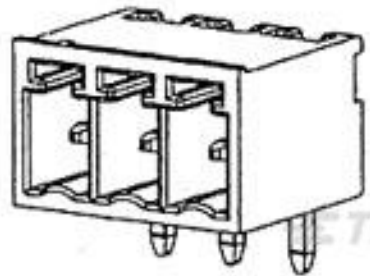


Poke-In Connectors(1)



Zhaga Book 18 Street Light Connectors (32)

Customers Also Bought



TE Model / Part #1-284512-6
16 POS TERMI-BLOK HDR 900 POLA



TE Model / Part #5-146497-5
10 MODII HDR DRST UNSHRD STKG



TE Model / Part #1676174-5
RN 0805 12K7 0.1% 10PPM CUT LENGTH



TE Model / Part #3-1879253-8
RP 2B 14R 0.1% 15PPM 1K RL



TE Model / Part #9-1879263-8
RP 2B 61K9 0.1% 15PPM 1K RL

Documents

Product Drawings

MODULE,40MM LUMAWISE ENDURANCE S. KEYED

English

CAD Files



3D PDF

3D

Customer View Model

[ENG_CVM_CVM_2343405-1_1.2d_dxf.zip](#)

English

Customer View Model

[ENG_CVM_CVM_2343405-1_1.3d_igs.zip](#)

English

Customer View Model

[ENG_CVM_CVM_2343405-1_1.3d_stp.zip](#)

English

By downloading the CAD file I accept and agree to the [Terms and Conditions](#) of use.

Datasheets & Catalog Pages

[LUMAWISE STREET LIGHT DIMMING AND CONTROL QUICK REFERENCE GUIDE](#)

English

[Lumawise Endurance S Modules](#)

English

Product Specifications

[Application Specification](#)

English

Agency Approvals

[LUMAWISE Endurance S CB Test Report](#)

English

[LUMAWISE Endurance S CB Certificate](#)

English