

backward curved, single inlet

with support bracket

ebm-papst Mulfingen GmbH & Co. KG

Bachmühle 2 · D-74673 Mulfingen

Phone +49 7938 81-0

Fax +49 7938 81-110

info1@de.ebmpapst.com

www.ebmpapst.com

Limited partnership · Headquarters Mulfingen

County court Stuttgart · HRA 590344

General partner Elektrobau Mulfingen GmbH · Headquarters Mulfingen

County court Stuttgart · HRB 590142

Nominal data

Type	K3G310-PT08-J4	
Motor	M3G084-GF	
Phase		3~
Nominal voltage	VAC	400
Nominal voltage range	VAC	380 .. 480
Frequency	Hz	50/60
Type of data definition		ml
Speed (rpm)	min ⁻¹	3010
Power input	W	1230
Current draw	A	1.9
Min. ambient temperature	°C	-25
Max. ambient temperature	°C	40

ml = Max. load · me = Max. efficiency · fa = Running at free air · cs = Customer specs · cu = Customer unit
Subject to alterations

Data in accordance with ecodesign regulation EU 327/2011

		Actual	Request 2015
01 Overall efficiency η_{es}	%	66.7	52.3
02 Measurement category		A	
03 Efficiency category		Static	
04 Efficiency grade N		76.4	62
05 Variable speed drive		Yes	

Data definition with optimum efficiency.

The ErP data is determined using a motor-impeller combination in a standardised measurement configuration.

09 Power input P_{ed}	kW	1.18
09 Air flow q_v	m ³ /h	3635
09 Pressure increase p_{fs}	Pa	729
10 Speed (rpm) n	min ⁻¹	3010
11 Specific ratio*		1.01

* Specific ratio = $1 + p_{fs} / 100\,000\text{ Pa}$

LU-176006



Technical features

Mass	15.5 kg
Size	310 mm
Motor size	84
Surface of rotor	Coated in black
Material of terminal box	PP plastic
Material of electronics housing	Die-cast aluminium
Material of impeller	Aluminium sheet
Material of mounting plate	Sheet steel, galvanised
Material of support bracket	Steel, coated in black
Material of inlet nozzle	Sheet steel, galvanised
Number of blades	5
Direction of rotation	Clockwise, seen on rotor
Type of protection	IP55
Insulation class	"F"
Humidity (F) / environmental protection class (H)	H1
Note ambient temperature	Occasional start-up between -40 °C and -25 °C is permissible. For continuous operation at ambient temperatures below -25 °C (e.g. refrigeration applications), a fan version with special low-temperature bearings must be used.
Max. permissible ambient motor temp. (transp./ storage)	+80 °C
Min. permissible ambient motor temp. (transp./storage)	-40 °C
Mounting position	Shaft horizontal or rotor on bottom; rotor on top on request
Condensation drainage holes	Rotor-side
Operation mode	S1
Motor bearing	Ball bearing
Technical features	<ul style="list-style-type: none"> - Output 10 VDC, max. 10 mA - Operation and alarm display - External 24 V input (programming) - Alarm relay - Integrated PID controller - Motor current limit - PFC, passive - RS485 MODBUS RTU - Soft start - Maximum EEPROM write cycles 100,000 - Control input 0-10 VDC / PWM - Control interface with SELV potential safely disconnected from the mains - Over-temperature protected electronics / motor - Line undervoltage / phase failure detection
EMC interference immunity	Acc. to EN 61000-6-2 (industrial environment)
EMC interference emission	Acc. to EN 61000-6-3 (household environment), except EN 61000-3-2 for professionally used devices with a total rated power greater than 1 kW
Touch current acc. IEC 60990 (measuring network Fig. 4, TN system)	<= 3.5 mA
Electrical connection	Terminal box
Motor protection	Thermal overload protector (TOP) wired internally

K3G310-PT08-J4

EC centrifugal module - RadiPac

backward curved, single inlet

with support bracket

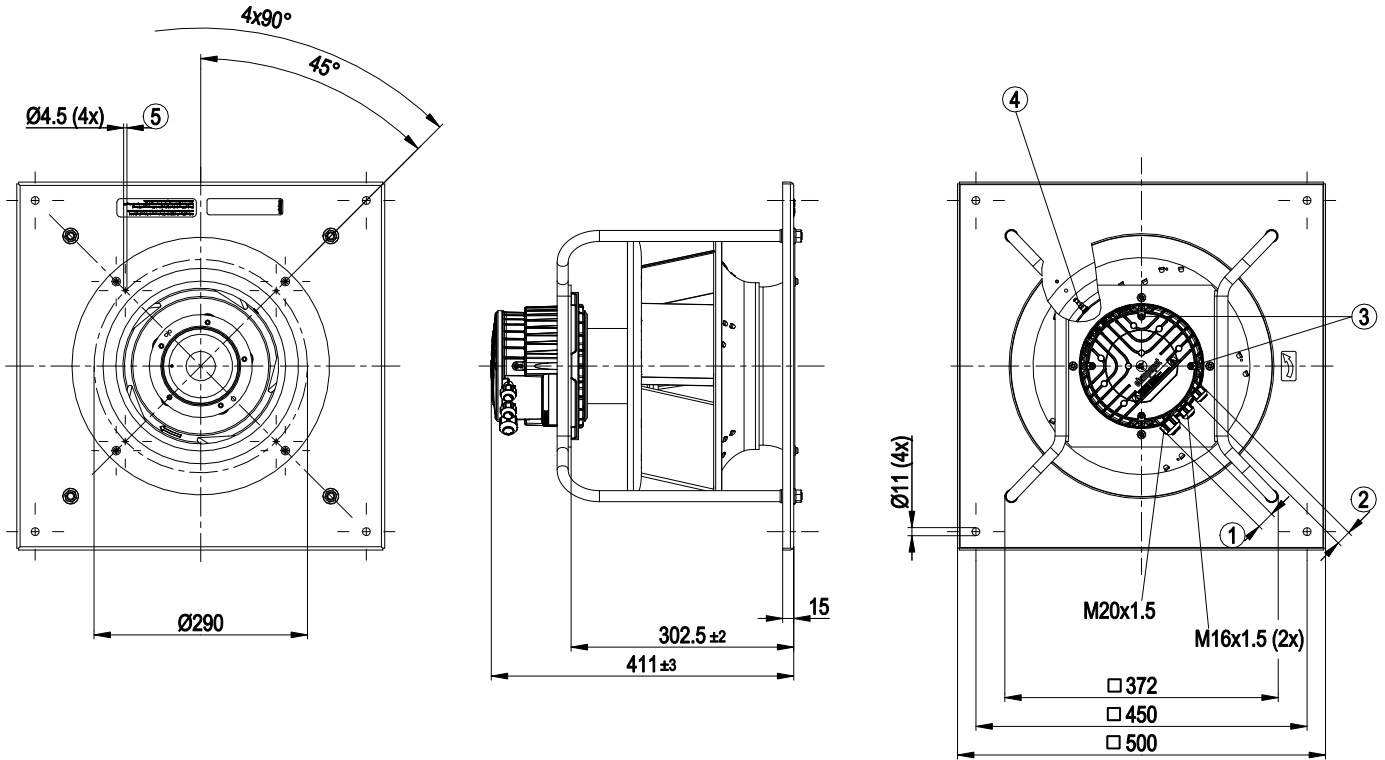
Protection class	I (if protective earth is connected by customer)
Product conforming to standard	EN 61800-5-1; CE
Approval	CSA C22.2 no. 77 + CAN/CSA-E60730-1; UL 1004-7 + 60730; CCC



EC centrifugal module - RadiPac

backward curved, single inlet
with support bracket

Product drawing



1	Cable diameter min. 8 mm, max. 12 mm, tightening torque 1.8 ± 0.3 Nm (use the provided seal) Cable diameter min. 4 mm, max. 10 mm, tightening torque 1.8 ± 0.3 Nm
2	Cable diameter min. 6 mm, max. 10 mm, tightening torque 1.8 ± 0.3 Nm (use the provided seal) Cable diameter min. 4 mm, max. 7 mm, tightening torque 1.8 ± 0.3 Nm
3	Tightening torque 1.5 ± 0.2 Nm
4	Inlet nozzle with pressure tap (k-factor: 116)
5	Mounting holes for FlowGrid

backward curved, single inlet

with support bracket

Connection screen

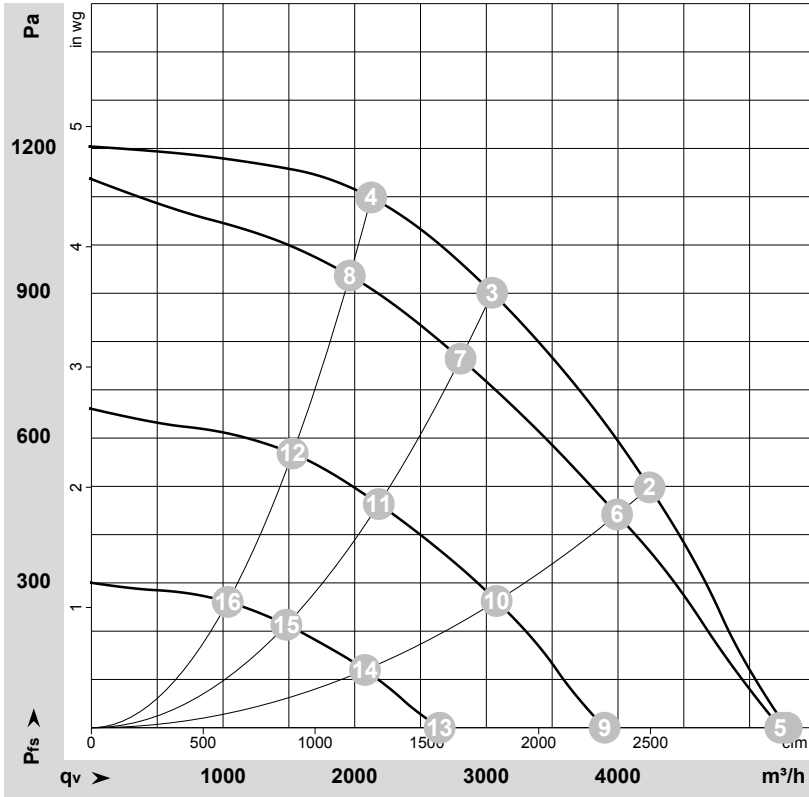
PE	PE	L1	L2	L3	NC	COM	GND	RSA	RSB	0-10 V	+10 V 24 V IN
1	2	3	4	5	6	7	8	9	10	11	12

No.	Conn.	Designation	Function / assignment
	1	PE	Protective earth
	2	PE	Protective earth
	3	L1	Power supply
	4	L2	Power supply
	5	L3	Power supply
	6	NC	Status relay, floating status contact, break for failure, contact rating 250 VAC / 2 A (AC1) / min. 10 mA; reinforced insulation on mains side and basic insulation on control interface side
	7	COM	Status relay, floating status contact, break for failure, contact rating 250 VAC / 2 A (AC1) / min. 10 mA; reinforced insulation on mains side and basic insulation on control interface side
	8	GND	Signal ground for control interface, SELV
	9	RSA	RS-485 interface for MODBUS, RSA; SELV
	10	RSB	RS-485 interface for MODBUS, RSB; SELV
	11	0-10 V	Analogue input (set value) SELV, 0-10 V, Ri=100kΩ, parametrisable curve
	12	+10 V	Fixed voltage output 10 VDC, SELV, +10 V +/-3%, max. 10 mA short-circuit-proof, power supply for ext. devices (e.g. potentiometer); Fixed voltage input 24 VDC for parameter setting via MODBUS without mains power supply

EC centrifugal module - RadiPac

backward curved, single inlet
with support bracket

Charts: Air flow 50 Hz



$\rho = 1.15 \text{ kg/m}^3 \pm 2 \%$

Measurement: LU-176006-1

Air performance measured as per ISO 5801 Installation category A. For detailed information on the measuring set-up, please contact ebmpapst. Suction-side noise levels: LwA measured as per ISO 13347 / LpA measured with 1m distance to fan axis. The values given are valid under the measuring conditions mentioned above and may vary according to the actual installation situation. With any deviation from the standard set-up, the specific values have to be checked and reviewed with the unit installed.

Measured values

	U	f	n	P _{ed}	I	LpA _{in}	LwA _{in}	LwA _{out}	q _v	P _{fs}	q _v	P _{fs}
	V	Hz	min ⁻¹	W	A	dB(A)	dB(A)	dB(A)	m ³ /h	Pa	cfm	in. wg
1	400	50	3010	673	1.06	84	92	94	5280	0	3110	0.00
2	400	50	3010	1050	1.61	75	84	87	4240	500	2495	2.01
3	400	50	3010	1230	1.90	69	78	82	3045	900	1790	3.61
4	400	50	3010	1189	1.82	77	85	87	2125	1100	1250	4.42
5	400	50	2995	642	1.01	84	92	94	5230	0	3080	0.00
6	400	50	2835	880	1.36	74	82	85	3995	442	2350	1.77
7	400	50	2775	972	1.50	68	76	79	2805	767	1650	3.08
8	400	50	2795	941	1.45	74	81	85	1965	937	1155	3.76
9	400	50	2250	296	0.54	77	85	86	3900	0	2295	0.00
10	400	50	2190	423	0.71	67	76	78	3080	263	1810	1.06
11	400	50	2165	472	0.78	62	70	74	2185	465	1285	1.87
12	400	50	2175	456	0.75	69	75	77	1530	568	900	2.28
13	400	50	1530	114	0.30	67	76	77	2645	0	1555	0.00
14	400	50	1485	153	0.35	58	66	70	2080	120	1225	0.48
15	400	50	1475	167	0.37	53	61	66	1480	214	870	0.86
16	400	50	1475	164	0.37	57	65	68	1035	261	610	1.05

U = Supply voltage · f = Frequency · n = Speed (rpm) · P_{ed} = Power input · I = Current draw · LpA_{in} = Sound pressure level inlet side · LwA_{in} = Sound power level inlet side · LwA_{out} = Sound power level outlet side
q_v = Air flow · P_{fs} = Pressure increase

