


Surge protection device - CN-LAMBDA/4-2.25-BB - 2801057

Please be informed that the data shown in this PDF Document is generated from our Online Catalog. Please find the complete data in the user's documentation. Our General Terms of Use for Downloads are valid (<http://phoenixcontact.com/download>)

Attachment plug with Lambda/4 technology as surge protection for coaxial signal interfaces. Connection: N connectors socket-socket



Key Commercial Data

Packing unit	1 pc
GTIN	 4 046356 679091
GTIN	4046356679091
Weight per Piece (excluding packing)	276.000 g
Custom tariff number	85363010
Country of origin	China

Technical data

Dimensions

Height	77.5 mm
Width	25 mm
Length	78.7 mm

Ambient conditions

Ambient temperature (operation)	-40 °C ... 85 °C
Altitude	2000 m
Degree of protection	IP68

General

Housing material	HPb59-1
Color	nickel
Standards for clearances and creepage distances	IEC 60664-1
Mounting type	Connection-specific intermediate plugging
Type	Attachment plug
Number of positions	1

Surge protection device - CN-LAMBDA/4-2.25-BB - 2801057

Technical data

General

Direction of action	Line-Shield/Earth Ground
---------------------	--------------------------

Protective circuit

IEC test classification	C2
	C3
	D1
Nominal current I_N	5 A (25 °C)
Nominal discharge current I_n (8/20) μ s	50 kA
Nominal discharge current I_n (8/20) μ s (line-earth)	50 kA
Nominal discharge current I_n (8/20) μ s (line-shield)	50 kA
Total surge current (8/20) μ s	60 kA
Total surge current (10/350) μ s	20 kA
Max. discharge current I_{max} (8/20) μ s	60 kA
Max. discharge current I_{max} (8/20) μ s maximum (line-earth)	60 kA
Max. discharge current I_{max} (8/20) μ s maximum (line-shield)	60 kA
Impulse discharge current (10/350) μ s, peak value I_{imp}	20 kA
Output voltage limitation at 1 kV/ μ s (line-earth) spike	≤ 1 V
Output voltage limitation at 1 kV/ μ s (line-shield) spike	≤ 1 V
Voltage protection level U_p (line-earth)	≤ 25 V (C2 - 10 kV / 5 kA)
	≤ 5 V (C1 - 1 kV/500 A)
	≤ 18 V (6 kV / 3 kA)
Voltage protection level U_p (line-shield)	≤ 5 V (C1 - 1 kV/500 A)
	≤ 25 V (C2 - 10 kV / 5 kA)
	≤ 18 V (6 kV / 3 kA)
Input attenuation aE, asym.	typ. 0.1 dB
Frequency range	0.8 GHz ... 2.25 GHz
Standing wave ratio SWR in a 50 Ω system	typ. 1.2
	max. 1.25
Permissible HF power P_{max} at VSWR = xx (50 ohm system)	≤ 500 W
	≤ 4 kW (peak)
Surge protection fault message	none
Impulse durability (line-earth)	C1 - 1 kV / 500 A
	C2 - 10 kV / 5 kA
	D1 - 2.5 kA

Connection data

Connection method	N connector 50 Ω
Connection method IN	N connector, female
Connection method OUT	N connector, female

Standards and Regulations

Standards/specifications	IEC 61643-21/A1 2008
--------------------------	----------------------

Surge protection device - CN-LAMBDA/4-2.25-BB - 2801057

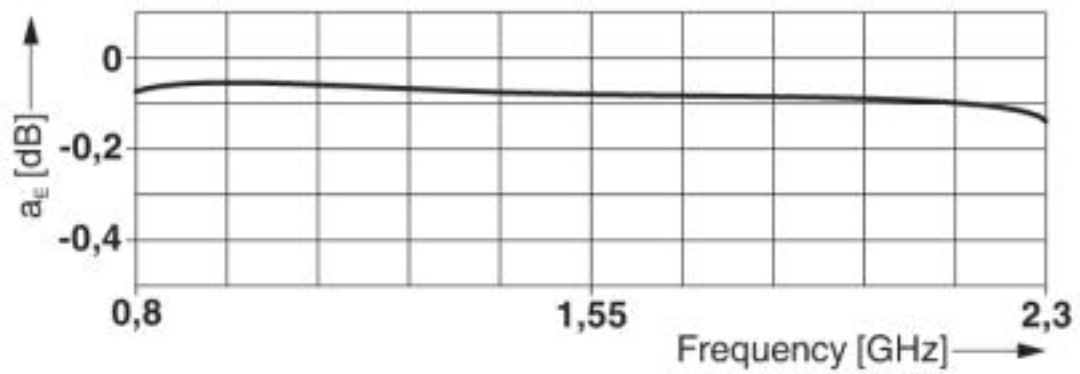
Technical data

Standards and Regulations

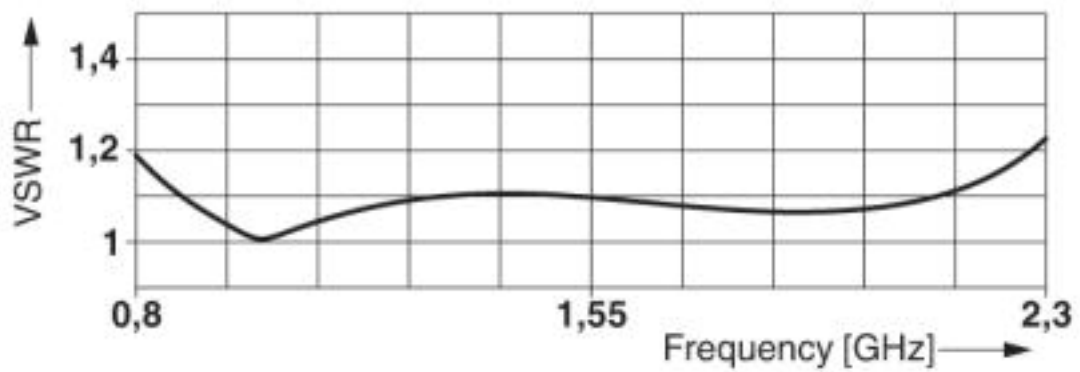
	EN 61643-21/A1 2009
--	---------------------

Drawings

Diagram

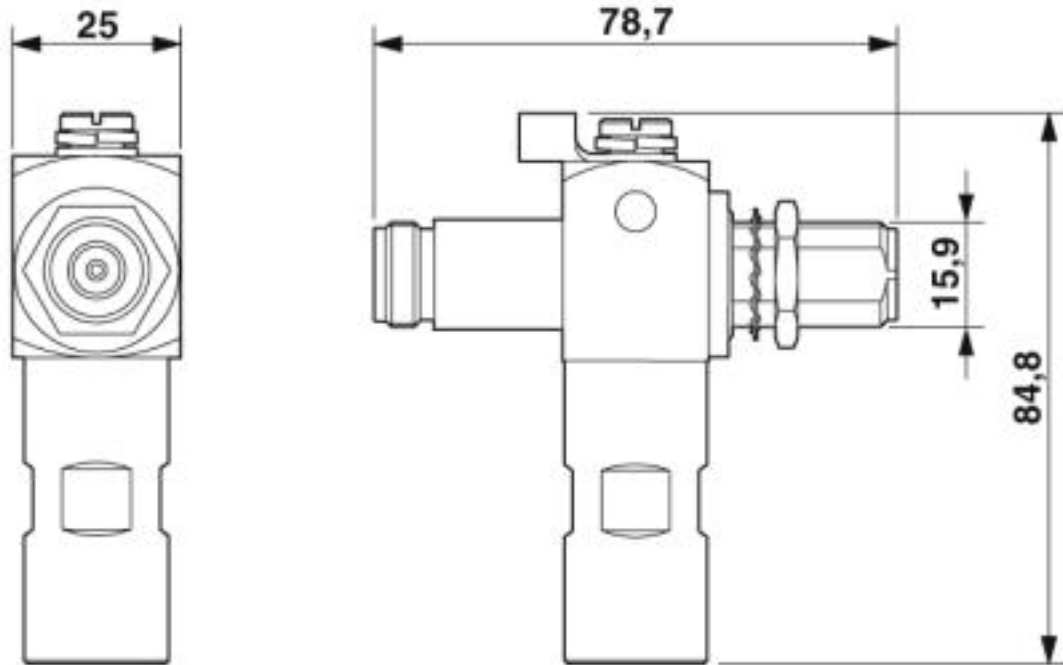


Diagram



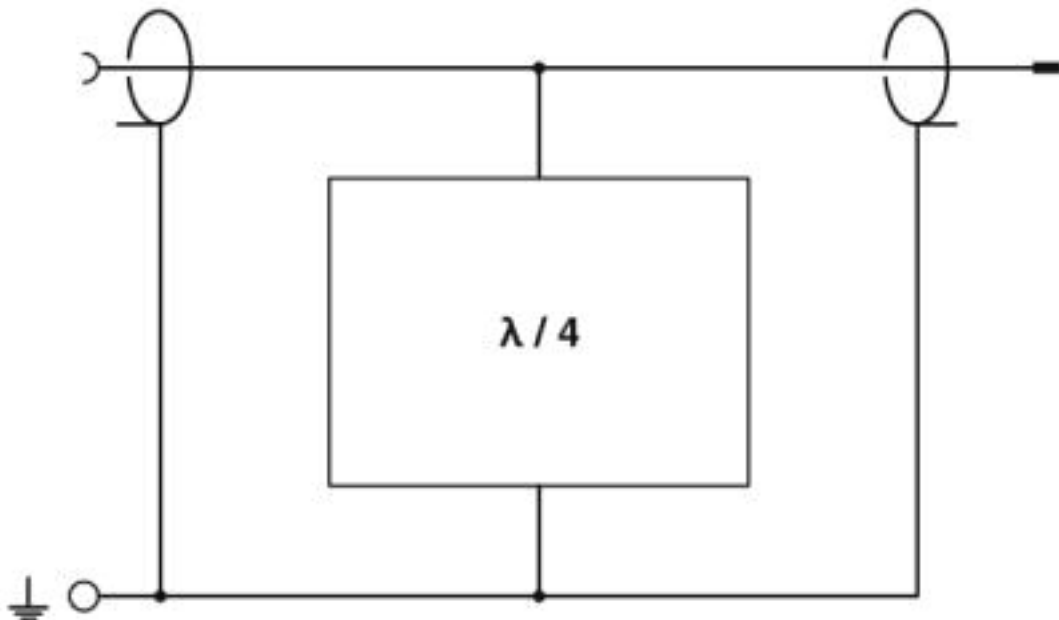
Surge protection device - CN-LAMBDA/4-2.25-BB - 2801057

Dimensional drawing



Dimensional drawing
CN-LAMBDA/4-2.25-BB

Circuit diagram



Circuit diagram

Surge protection device - CN-LAMBDA/4-2.25-BB - 2801057

Classifications

eCl@ss

eCl@ss 4.0	27130800
eCl@ss 4.1	27130800
eCl@ss 5.0	27130800
eCl@ss 5.1	27130800
eCl@ss 6.0	27130800
eCl@ss 7.0	27130807
eCl@ss 8.0	27130807
eCl@ss 9.0	27130807

ETIM

ETIM 3.0	EC000943
ETIM 4.0	EC000943
ETIM 5.0	EC000943
ETIM 6.0	EC000943
ETIM 7.0	EC000943

UNSPSC

UNSPSC 6.01	30212010
UNSPSC 7.0901	39121610
UNSPSC 11	39121610
UNSPSC 12.01	39121610
UNSPSC 13.2	39121620
UNSPSC 18.0	39121620
UNSPSC 19.0	39121620
UNSPSC 20.0	39121620
UNSPSC 21.0	39121620

Approvals

Approvals

Approvals

EAC / EAC

Ex Approvals

Approval details

Surge protection device - CN-LAMBDA/4-2.25-BB - 2801057

Approvals

EAC		EAC-Zulassung
-----	---	---------------

EAC		RU C- DE.A*30.B01561
-----	---	-------------------------

Accessories

Accessories

Assembly adapter

Mounting plate - CN-UB/MP - 2818135



Tongue for attaching the CN-UB..., to housing panels, for example.

Mounting plate - CN-UB/MP-90DEG-50 - 2803137



Angled bracket for individually fixing CN-UB... to housing panels, for example.