

Energy storage - UPS-BAT/LI-ION/24DC/924WH - 2908232

Please be informed that the data shown in this PDF Document is generated from our Online Catalog. Please find the complete data in the user's documentation. Our General Terms of Use for Downloads are valid (<http://phoenixcontact.com/download>)



Energy storage device, LI-ION technology, 24 V DC, 924 Wh, for ambient temperatures of -25 °C ... 60 °C, automatic detection and communication with QUINT UPS-IQ

Product Description

For continuous monitoring and intelligent management, there is constant communication with the QUINT UPS. Thanks to automatic detection of the energy storage, and replacement during operation, quick installation is possible. Energy storage devices for QUINT UPS with IQ technology leave the warehouse fully charged.

Your advantages

- ✓ Long service life with long buffer times
- ✓ Quick installation, thanks to automatic detection of the energy storage and tool-free replacement during operation
- ✓ Maximum availability, thanks to constant communication with the QUINT UPS for continuous monitoring and intelligent management
- ✓ Immediate availability, as all energy storage devices leave our warehouse fully charged

Key Commercial Data

Packing unit	1 pc
GTIN	 4 055626 293165
GTIN	4055626293165
Weight per Piece (excluding packing)	99.990 g
Custom tariff number	85076000
Country of origin	China

Technical data

Dimensions

Width	264 mm
Height	224 mm
Depth	197 mm

Ambient conditions

Degree of protection	IP20
Ambient temperature (operation)	-25 °C ... 58 °C

Energy storage - UPS-BAT/LI-ION/24DC/924WH - 2908232

Technical data

Ambient conditions

Ambient temperature (storage/transport)	-40 °C ... 65 °C
Max. permissible relative humidity (operation)	≤ 80 %
Degree of pollution	2

Input data

Nominal input voltage	24 V
Buffer period	105 min. (20 A (20 °C))
	50 min. (40 A (20 °C))

Output data

Connection in parallel	3
Connection in series	No
Output fuse	2x 25 A ATOF 32V (breaking capacity 1000 A)

General

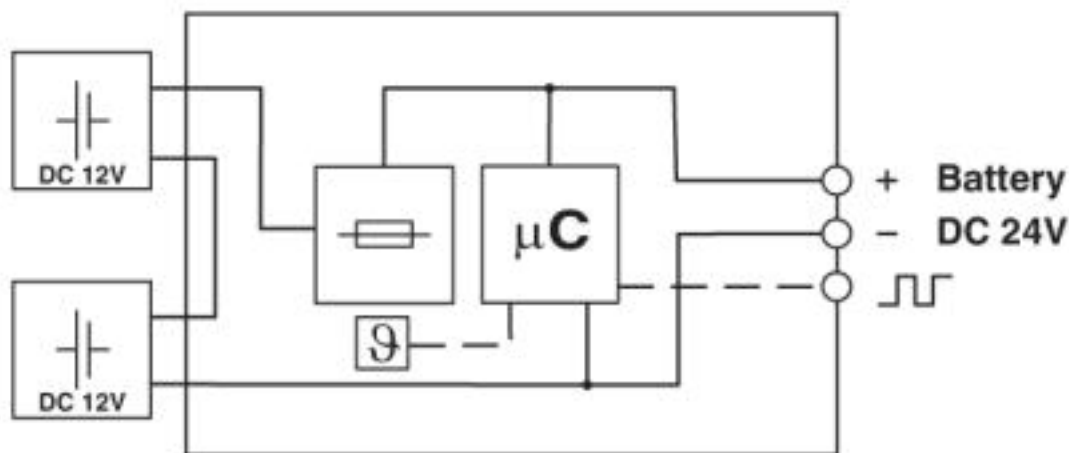
IQ technology	Yes
Net weight	12.9 kg
Memory medium	LI-ION, 924 Wh
Protection class	III
Degree of protection	IP20

Environmental Product Compliance

China RoHS	Environmentally Friendly Use Period = 10;
	For details about hazardous substances go to tab "Downloads", Category "Manufacturer's declaration"

Drawings

Block diagram



Energy storage - UPS-BAT/LI-ION/24DC/924WH - 2908232

Classifications

eCl@ss

eCl@ss 10.0.1	27050403
eCl@ss 4.0	27040603
eCl@ss 4.1	27040603
eCl@ss 5.0	27040603
eCl@ss 5.1	27040603
eCl@ss 6.0	27040603
eCl@ss 7.0	27050403
eCl@ss 8.0	27050403
eCl@ss 9.0	27050403

ETIM

ETIM 2.0	EC000382
ETIM 3.0	EC000382
ETIM 4.0	EC000357
ETIM 5.0	EC000357
ETIM 6.0	EC000357
ETIM 7.0	EC000357

UNSPSC

UNSPSC 6.01	30211510
UNSPSC 7.0901	39121011
UNSPSC 11	39121011
UNSPSC 12.01	39121011
UNSPSC 13.2	26111715
UNSPSC 18.0	26111715
UNSPSC 19.0	26111715
UNSPSC 20.0	26111715
UNSPSC 21.0	26111715

Approvals

Approvals

Approvals

UL Listed / UL Recognized / cUL Recognized / cUL Listed / cULus Recognized / cULus Listed

Ex Approvals

UL Listed / cUL Listed / cULus Listed

Approval details

Energy storage - UPS-BAT/LI-ION/24DC/924WH - 2908232

Approvals

UL Listed		http://database.ul.com/cgi-bin/XYV/template/LISEXT/1FRAME/index.htm	FILE E 123528
-----------	--	---	---------------

UL Recognized		http://database.ul.com/cgi-bin/XYV/template/LISEXT/1FRAME/index.htm	FILE E 211944
---------------	--	---	---------------

cUL Recognized		http://database.ul.com/cgi-bin/XYV/template/LISEXT/1FRAME/index.htm	FILE E 211944
----------------	--	---	---------------

cUL Listed		http://database.ul.com/cgi-bin/XYV/template/LISEXT/1FRAME/index.htm	FILE E 123528
------------	--	---	---------------

cULus Recognized			
------------------	--	--	--

cULus Listed			
--------------	--	--	--

Accessories

Accessories

Fuse

Fuse - SI FORM C 25 A DIN 72581 - 0913757



Flat-type plug-in fuse, type C, color code: white, nominal current: 25 A

Fuse - FUSE 25A/32V ATOF - 2908366



Fuse, nominal current: 25 A, length: 19.1 mm, width: 5 mm, height: 18.8 mm

Energy storage - UPS-BAT/LI-ION/24DC/924WH - 2908232

Accessories

Mounting material

Mounting set for securing the batteries - BATTERY MOUNTING CASE - 2320458



Used for mounting batteries that cannot be mounted on DIN rails.

Phoenix Contact 2020 © - all rights reserved
<http://www.phoenixcontact.com>