

Wireless module - RAD-2400-IFS - 2901541

Please be informed that the data shown in this PDF Document is generated from our Online Catalog. Please find the complete data in the user's documentation. Our General Terms of Use for Downloads are valid (<http://phoenixcontact.com/download>)



Radioline - 2.4 GHz wireless transceiver with RS-232/RS-485 interface, can be extended with I/O modules, RSMA (female) antenna connection, point-to-point, star, and mesh networks up to 250 stations, range of up to 5 km (with a clear line of sight), for worldwide use

Product Description


Radioline is the new wireless system for large systems. Special features include extremely easy assignment of inputs and outputs by simply turning the thumbwheel - without any programming. Radioline transmits I/O signals (I/O mode) or serial data (serial mode) and is therefore very versatile. Alternatively, I/O signals can now also be connected to controllers directly using the Modbus protocol (PLC/Modbus RTU mode). In addition, you can implement various network structures: from a simple point-to-point connection to complex mesh networks. Thanks to the latest Trusted Wireless technology, Radioline is the ideal choice for industrial use.

Your advantages

- ✓ License-free 2.4 GHz frequency band
- ✓ Range of several kilometers thanks to adjustable data rates for the wireless interface
- ✓ Quick and easy startup without programming
- ✓ High degree of reliability due to Trusted Wireless 2.0 technology (AES encryption, frequency hopping method, and coexistence management)
- ✓ Mesh networks of up to 250 devices
- ✓ Integrated RS-232/RS-485 interface
- ✓ Modular extension with up to 32 I/O extension modules supported
- ✓ Extended temperature range, -40 °C ... +70 °C
- ✓ Approved for use in zone 2
- ✓ International approvals



Key Commercial Data

| | |
|--------------------------------------|---|
| Packing unit | 1 pc |
| GTIN |  4 046356 610193 |
| GTIN | 4046356610193 |
| Weight per Piece (excluding packing) | 237.200 g |
| Custom tariff number | 85176200 |
| Country of origin | Germany |

Wireless module - RAD-2400-IFS - 2901541

Technical data

Note

| | |
|-------------------------|---|
| Utilization restriction | EMC: class A product, see manufacturer's declaration in the download area |
|-------------------------|---|

Dimensions

| | |
|--------|----------|
| Width | 17.5 mm |
| Height | 116 mm |
| Depth | 114.5 mm |

Ambient conditions

| | |
|--|--|
| Degree of protection | IP20 |
| Ambient temperature (operation) | -40 °C ... 70 °C (>55°C derating) |
| | -40 °F ... 158 °F (>131°F derating) |
| Ambient temperature (storage/transport) | -40 °C ... 85 °C |
| | -40 °F ... 185 °F |
| Permissible humidity (operation) | 20 % ... 85 % |
| Permissible humidity (storage/transport) | 20 % ... 85 % |
| Altitude | 2000 m |
| Vibration (operation) | in accordance with IEC 60068-2-6: 5g, 10 Hz ... 150 Hz |
| Shock | 16g, 11 ms |

General

| | |
|--|--|
| Set consists of | 2709561 ME 17,5 TBUS 1,5/ 5-ST-3,81 GN |
| Operating mode | I/O data (Default setting, configuration via thumbwheel) |
| | Serial data (Activation and configuration via PSI-CONF software) |
| | PLC/Modbus RTU mode (Activation and configuration via PSI-CONF software) |
| | PLC / Modbus RTU dual mode (Activation and configuration via PSI-CONF software) |
| Overvoltage category | II |
| Assembly instructions | on standard DIN rail NS 35 in accordance with EN 60715 |
| Degree of pollution | 2 |
| Housing material | PA 6.6-FR |
| Flammability rating according to UL 94 | V0 |
| MTTF | 778 Years (Telcordia standard, 25°C temperature, 21% operating cycle (5 days a week, 8 hours a day)) |
| | 358 Years (Telcordia standard, 40°C temperature, 34.25% operating cycle (5 days a week, 12 hours a day)) |
| | 142 Years (Telcordia standard, temperature 40 °C, operating cycle 100 % (7 days a week, 24 hours a day)) |
| Wireless licences | Australia (RCM) |
| | Bahrain |
| | Belgium |
| | Bulgaria |
| | Denmark |

Wireless module - RAD-2400-IFS - 2901541

Technical data

General

| | |
|--|--|
| | Germany |
| | Estonia |
| | France |
| | Finland |
| | Greece |
| | Great Britain |
| | Italy |
| | Ireland |
| | Iceland |
| | Canada (IC, RSS 210, ID: 4720B-RAD2400A) |
| | Croatia |
| | Liechtenstein |
| | Luxembourg |
| | Latvia |
| | Lithuania |
| | Malta |
| | Morocco (ANRT, ID: MR 10464 ANRT 2015) |
| | Mexico (IFT, ID: RCPPHRA17-1112) |
| | Netherlands |
| | Norway |
| | Austria |
| | Poland |
| | Portugal |
| | Romania |
| | Russia |
| | Sweden |
| | Switzerland |
| | Slovakia |
| | Slovenia |
| | Singapore |
| | Spain |
| | South Africa |
| | South Korea (KC, ID: MSIP-CRI-PCK-2901541) |
| | Taiwan (NCC, ID: CCAJ18LP1990T7) |
| | Thailand |
| | Czech Republic |
| | Turkey |
| | Hungary |
| | USA (FCC, Part 15.247, ID: YG3RAD2400A) |
| | Ukraine |

Wireless module - RAD-2400-IFS - 2901541

Technical data

General

| | |
|-------------|--|
| | United Arab Emirates (TRA, ID: ER0126713) |
| | Cyprus (rep.) |
| | India (WPC, ID: NER-ETA/314) |
| | Brazil (ANATEL, ID: 06279-19-06497) |
| | Vietnam (ICT, ID: B1317250719AE01A2) |
| Export note | *The range may be considerably above or below that stated. It is dependent on the environment, antenna technology, transmission power, and the product used. |

Supply

| | |
|----------------------------|--|
| Supply voltage range | 19.2 V DC ... 30.5 V DC |
| Max. current consumption | ≤ 65 mA (at 24 V DC, at 25 °C, stand-alone) |
| | ≤ 6 A (at 24 V DC, with DIN rail connector at full capacity) |
| Transient surge protection | Yes |

Wireless interface

| | |
|------------------------------|---|
| Antenna connection | RSMA (female) |
| Direction | Bi-directional |
| Frequency | 2400 MHz |
| Frequency range | 2.4002 GHz ... 2.4785 GHz |
| Number of channel groups | 8 |
| Number of channels per group | 55 |
| Channel distance | 1.3 MHz |
| Data rate | 16 kbps (adjustable) |
| | 125 kbps (Default setting, adjustable) |
| | 250 kbps (adjustable) |
| Receiver sensitivity | -106 dBm (16 kbps) |
| | -96 dBm (125 kbps) |
| | -93 dBm (250 kbps) |
| Transmit capacity, minimum | 0 dBm |
| Transmit capacity, maximum | ≤ 20 dBm (Outside of Europe, adjustable via software) |
| | ≤ 19 dBm (Europe, can be set via software, depends on the data rate) |
| | 18 dBm (Default setting, adjustable) |
| Range | ± 5 km (The range may be considerably above or below that stated, and depends on the environment, antenna technology, and the product used) |
| Security | 128-bit data encryption |

Serial interface

| | |
|-----------------------|---------------------------------------|
| Interface 1 | RS-232 |
| Connection method | COMBICON plug-in screw terminal block |
| Connection technology | 3-wire |
| Transmission length | ≤ 15 m |

Wireless module - RAD-2400-IFS - 2901541

Technical data

Serial interface

| | |
|-----------------------|--|
| Data rate | 300 bps / 600 bps / 1.2 kbps / 2.4 kbps / 4.8 kbps / 9.6 kbps / 19.2 kbps / 38.4 kbps / 57.6 kbps / 93.75 kbps / 115.2 kbps |
| Interface 2 | RS-485 |
| Connection method | COMBICON plug-in screw terminal block |
| Connection technology | 2-wire |
| Transmission length | ≤ 1200 m |
| Termination resistor | 390 Ω (switchable via DIP switches) |
| | 150 Ω (switchable via DIP switches) |
| | 390 Ω (switchable via DIP switches) |
| Data rate | 300 bps / 600 bps / 1.2 kbps / 2.4 kbps / 4.8 kbps / 9.6 kbps / 19.2 kbps / 38.4 kbps / 57.6 kbps / 93.75 kbps / 115.2 kbps / 187.5 kbps |
| Interface 3 | Configuration interface |
| Connection method | S-PORT (socket) |

System limits

| | |
|--------------------------------------|--|
| Designation | Wireless module |
| Number of supported devices | ≤ 250 (Addressing via PSI-CONF software) |
| | ≤ 99 (Addressing via thumbwheel) |
| Number of possible extension modules | ≤ 32 (per wireless module) |
| Designation | Wireless network |
| I/O data mode | ≤ 99 (I/O extension modules per wireless network, serial interfaces deactivated) |
| Serial data mode | 0 (no I/O extension modules can be used) |
| PLC/Modbus RTU mode | ≤ 99 (I/O extension modules per wireless network, access to extension modules via Modbus RTU protocol) |

RSSI output

| | |
|-----------------------|-------------|
| Number of outputs | 1 |
| Voltage output signal | 0 V ... 3 V |

RF link relay output

| | |
|---------------------------|---|
| Number of outputs | 1 |
| Contact type | PDT |
| Contact material | PdRu, gold-plated |
| Maximum switching voltage | 30 V AC/DC |
| | 60 V DC |
| Max. switching current | 500 mA (30 V AC/DC) |
| Electrical service life | 5x 10 ⁵ switching cycles with 0.5 A at 30 V DC |

Connection data

| | |
|---------------------------------------|---------------------|
| Connection method | Screw connection |
| Conductor cross section solid min. | 0.2 mm ² |
| Conductor cross section solid max. | 2.5 mm ² |
| Conductor cross section flexible min. | 0.2 mm ² |

Wireless module - RAD-2400-IFS - 2901541

Technical data

Connection data

| | |
|---------------------------------------|---------------------|
| Conductor cross section flexible max. | 2.5 mm ² |
| Conductor cross section AWG min. | 24 |
| Conductor cross section AWG max. | 14 |
| Stripping length | 7 mm |
| Tightening torque | 0.6 Nm |
| Screw thread | M3 |

Status indicator

| | |
|----------------|---|
| Status display | Green LED (supply voltage, PWR) |
| | Green LED (bus communication, DAT) |
| | Red LED (periphery error, ERR) |
| | 3x green, 1x yellow LED (LED bar graph receive quality, RSSI) |
| | Green LED (receive data, RX) |
| | Green LED (transmit data, TX) |

Conformance/approvals

| | |
|-----------------|---|
| Designation | CE |
| Identification | CE-compliant |
| Additional text | RED 2014/53/EU |
| Designation | FCC |
| Additional text | FCC directive, part 15.247 |
| Designation | ISC |
| Additional text | ISC directive RSS 210 |
| Designation | IFT |
| Certificate | IFT RCPHRA17-1112 |
| Designation | NCC |
| Certificate | CCAJ18LP1990T7 |
| Designation | ATEX |
| Identification | # II 3 G Ex nA nC IIC T4 Gc |
| Certificate | IBExU 15 ATEX B008 X |
| Additional text | Please follow the special installation instructions in the documentation! |
| Designation | IECEX |
| Identification | Ex nA nC IIC T4 Gc |
| Certificate | IECEX IBE 13.0019X |
| Designation | EAC Ex |
| Identification | 2Ex nA nC IIC T4 Gc X |
| Certificate | TC RU C-DE.AB72.B.01483 |
| Designation | UL, USA/Canada |
| Identification | 508 Listed |
| | Class I, Div. 2, Groups A, B, C, D T4A |
| | Class I, Zone 2, IIC T4 |
| Designation | Corrosive gas test |

Wireless module - RAD-2400-IFS - 2901541

Technical data

Conformance/approvals

| | |
|----------------|----------------------------------|
| Identification | ISA-S71.04-1985 G3 Harsh Group A |
| Designation | ANATEL |
| Certificate | 06279-19-06497 |

Standards and Regulations

| | |
|--|--|
| Electromagnetic compatibility | Conformance with EMC Directive 2014/30/EU |
| Standards/specifications | Ex Directive (ATEX) EN 60079-0 |
| | Ex Directive (ATEX) EN-60079-15 |
| | RED directive 2014/53/EU EN 300328 EN 61000-6-4 EN 61000-6-2 EN 50371 EN 60950-1 |
| Standards/regulations | EN 61000-4-2 |
| Contact discharge | ± 6 kV (Test Level 3) |
| Indirect discharge | ± 6 kV |
| Standards/regulations | EN 61000-4-3 |
| Frequency range | 26 MHz ... 3 GHz (Test Level 3) |
| Standards/regulations | EN 61000-4-4 |
| Comments | Criterion B |
| Standards/regulations | EN 61000-4-5 |
| Signal | ± 1 kV (asymmetrical) |
| Standards/regulations | EN 61000-4-6 |
| Frequency range | 0.15 MHz ... 80 MHz |
| Flammability rating according to UL 94 | V0 |
| Interface description | Trusted Wireless |
| Channel distance | 1.3 MHz |
| Security | 128-bit data encryption |
| Shock | 16g, 11 ms |
| Vibration (operation) | in accordance with IEC 60068-2-6: 5g, 10 Hz ... 150 Hz |

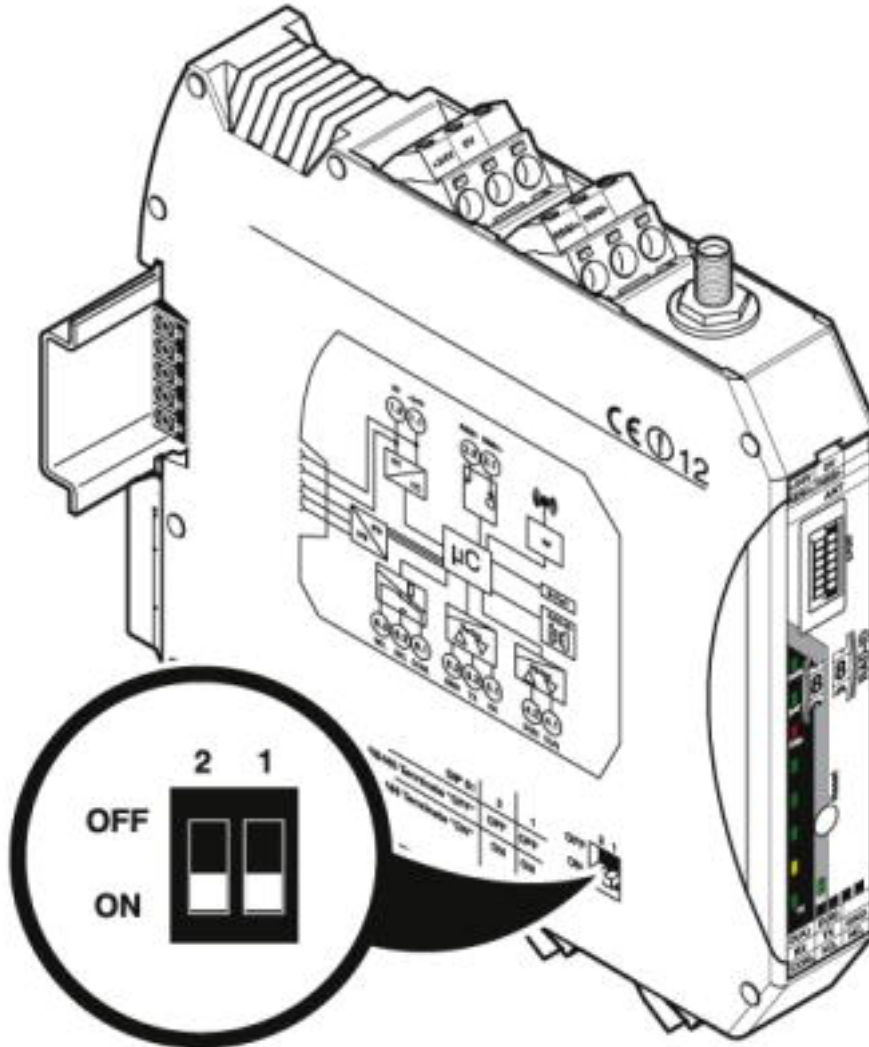
Environmental Product Compliance

| | |
|------------|---|
| REACH SVHC | Lead 7439-92-1 |
| China RoHS | Environmentally Friendly Use Period = 50 |
| | For details about hazardous substances go to tab "Downloads", Category "Manufacturer's declaration" |

Drawings

Wireless module - RAD-2400-IFS - 2901541

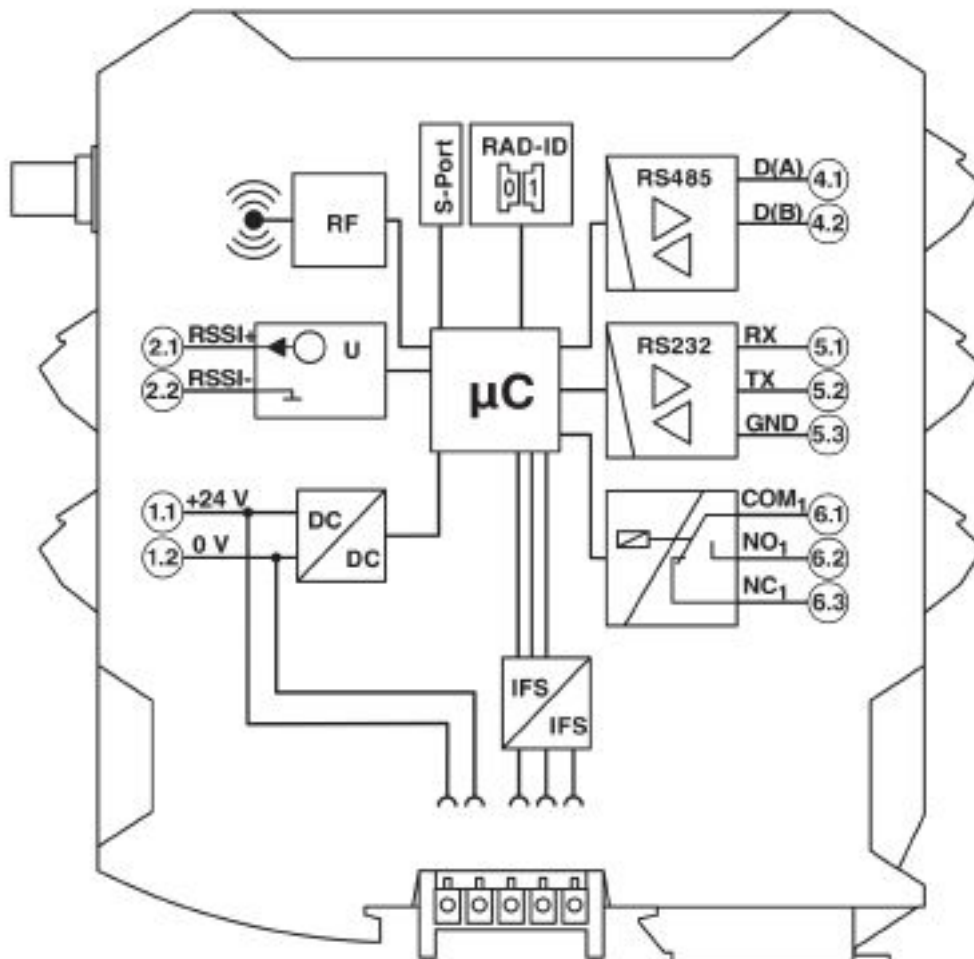
Schematic diagram



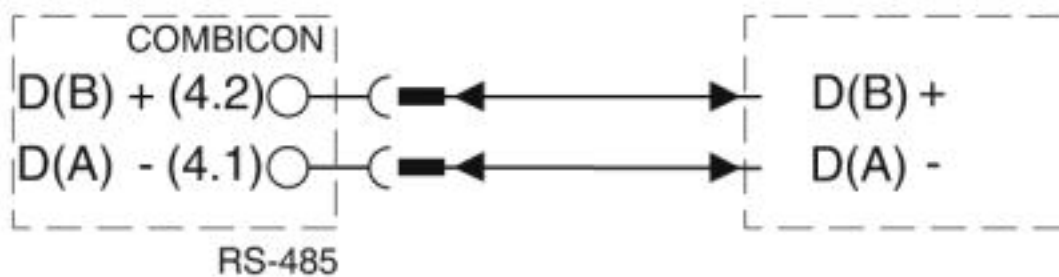
DIP switches

Wireless module - RAD-2400-IFS - 2901541

Circuit diagram



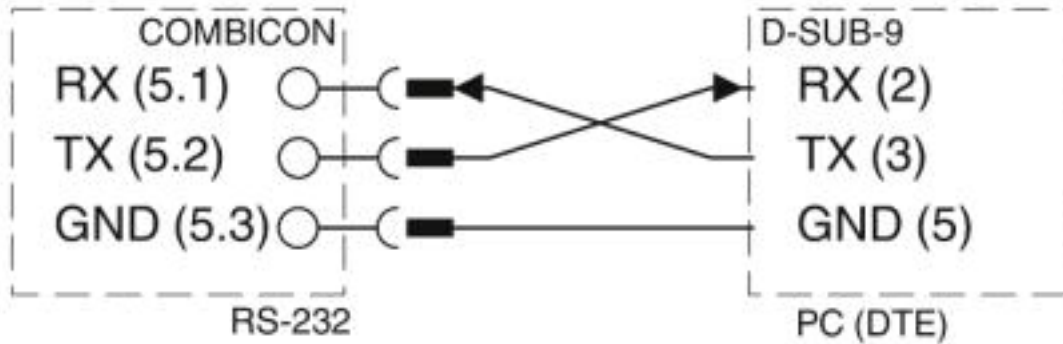
Connection diagram



RS-485 connection

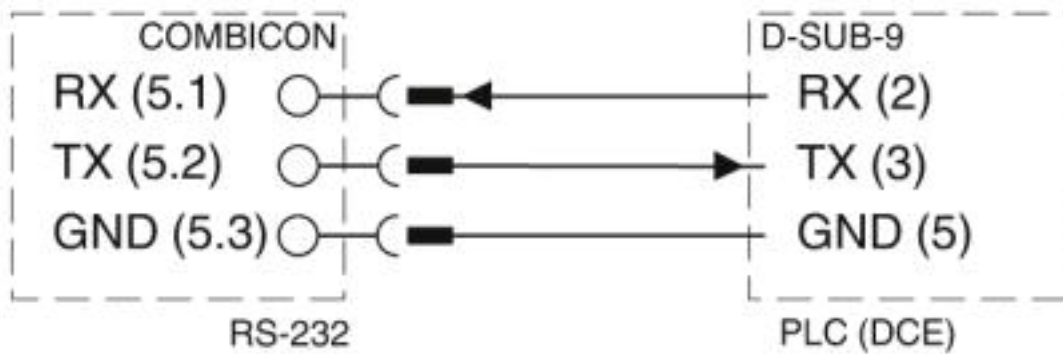
Wireless module - RAD-2400-IFS - 2901541

Connection diagram



RS-232 connection

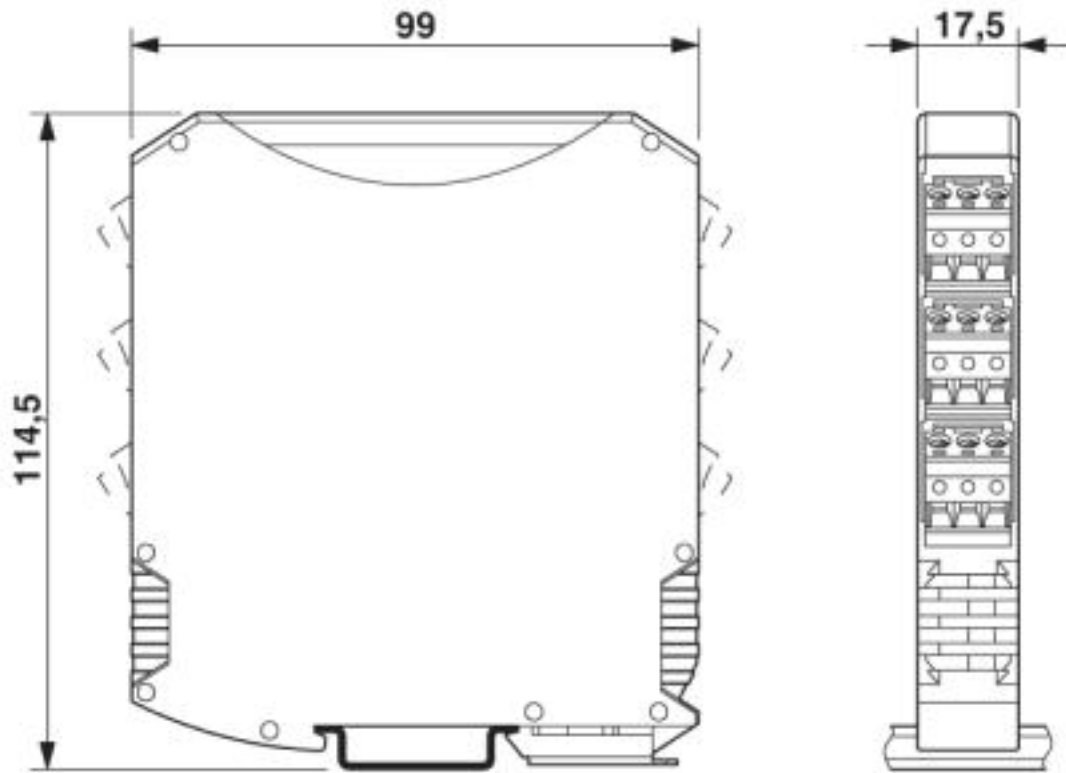
Connection diagram



RS-232 connection

Wireless module - RAD-2400-IFS - 2901541

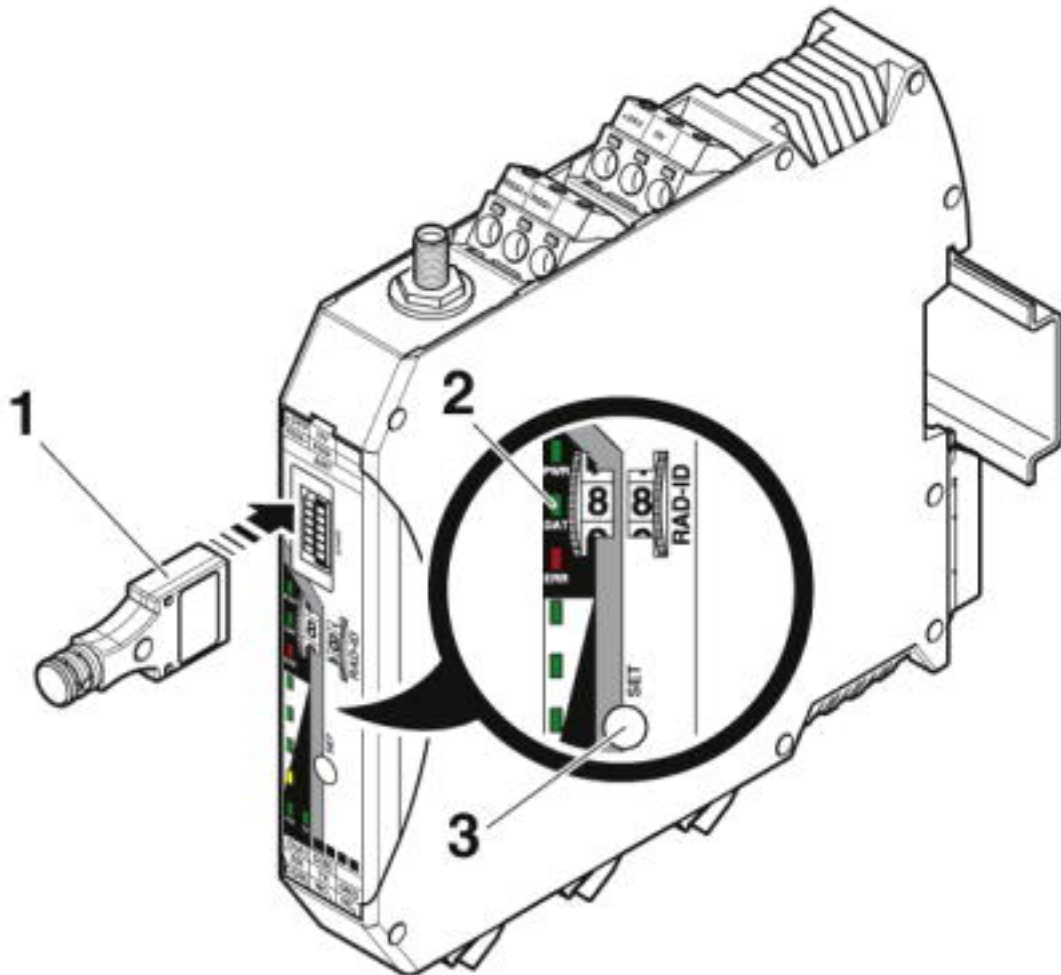
Dimensional drawing



Slim design

Wireless module - RAD-2400-IFS - 2901541

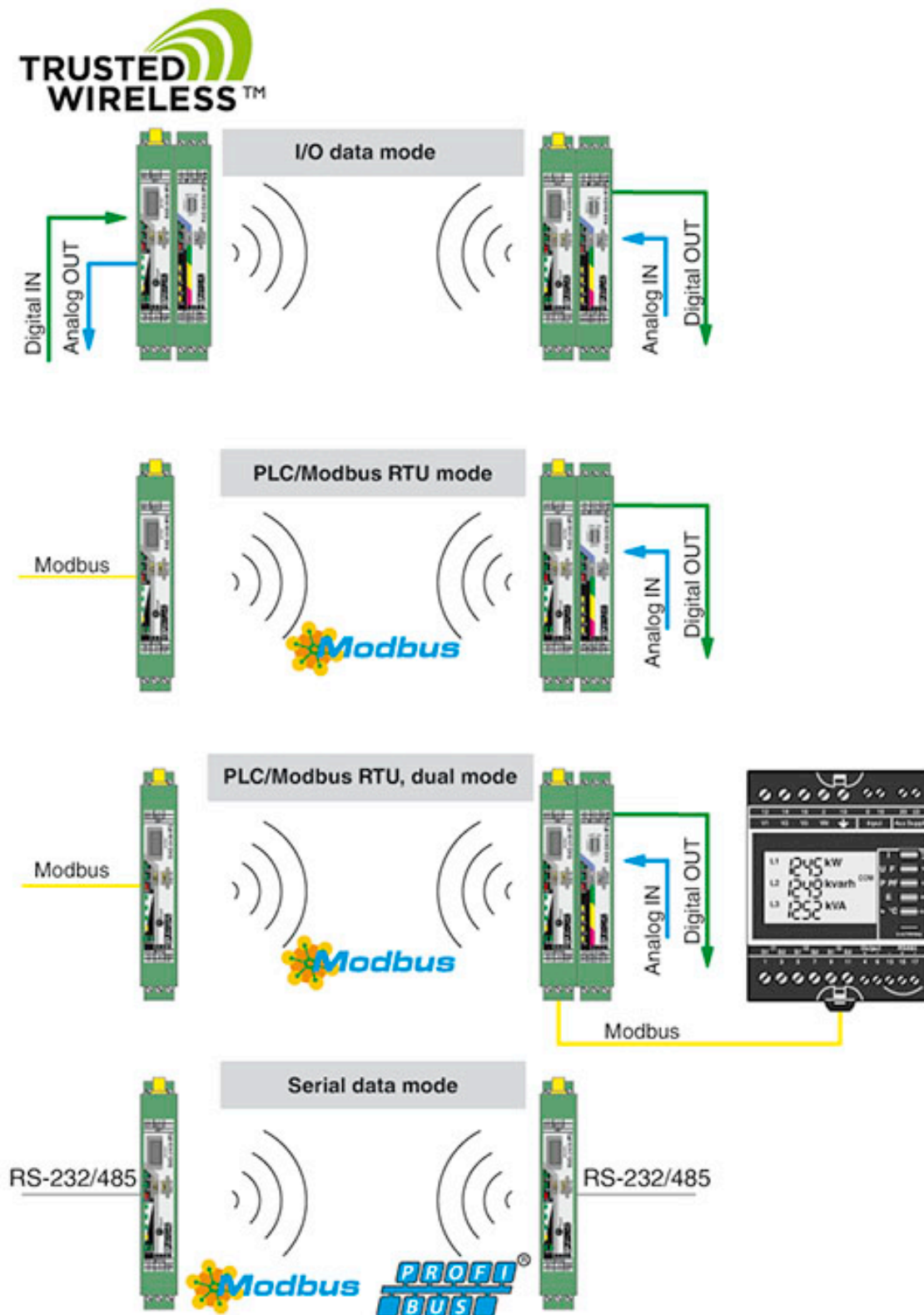
Schematic diagram



Configuration via CONFSTICK

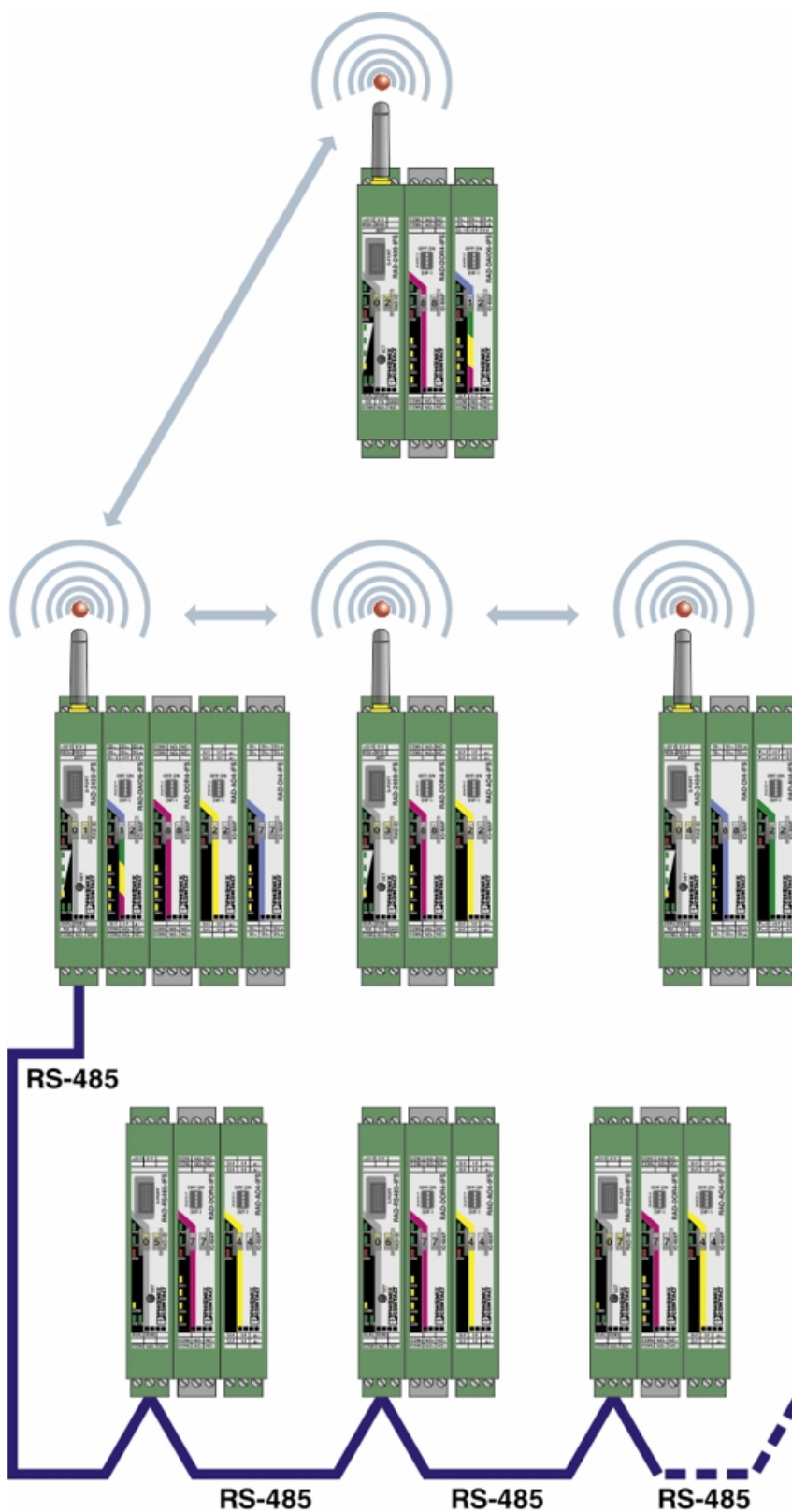
Wireless module - RAD-2400-IFS - 2901541

Application drawing



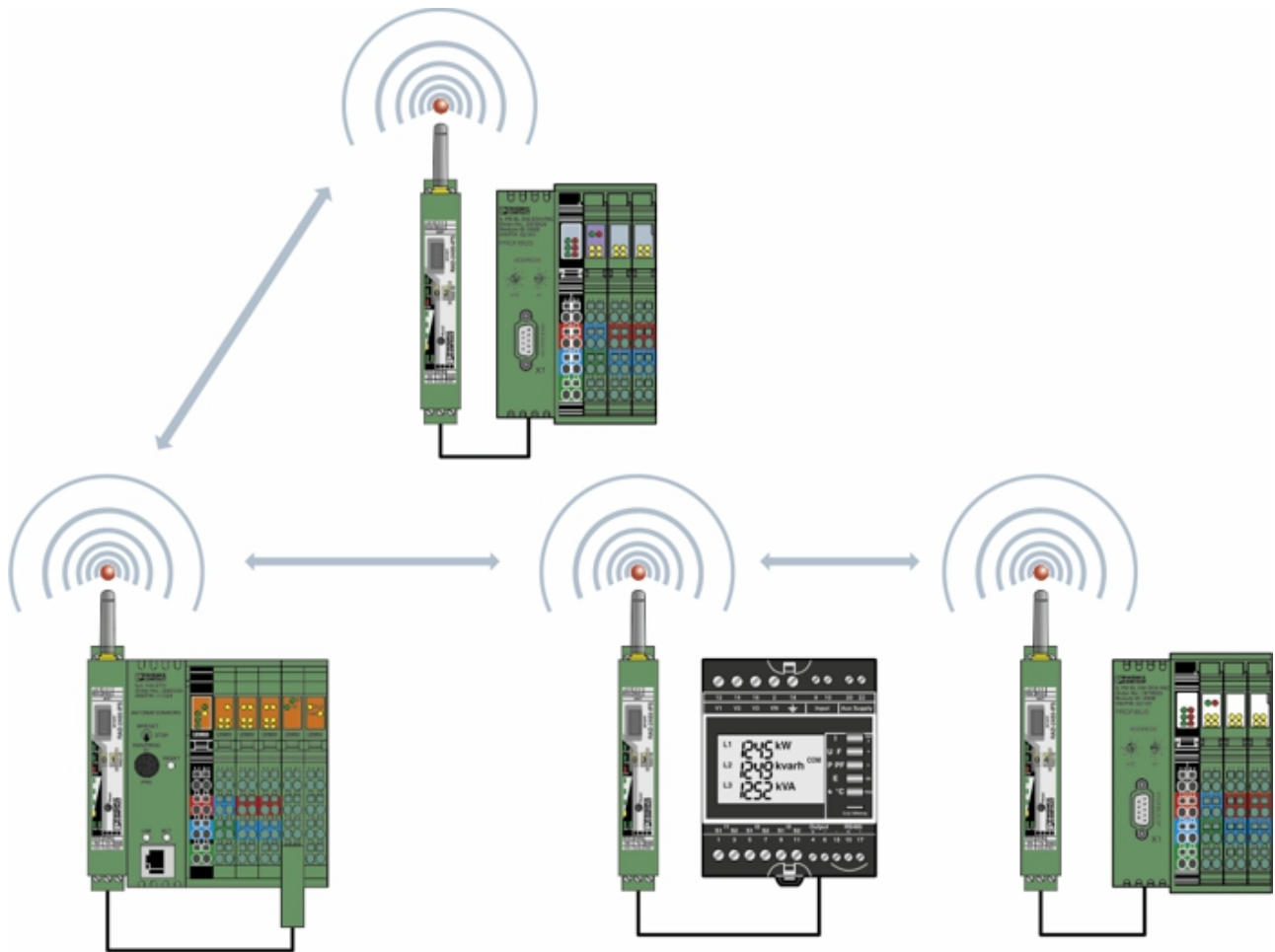
Wireless module - RAD-2400-IFS - 2901541

Functional drawing



Wireless module - RAD-2400-IFS - 2901541

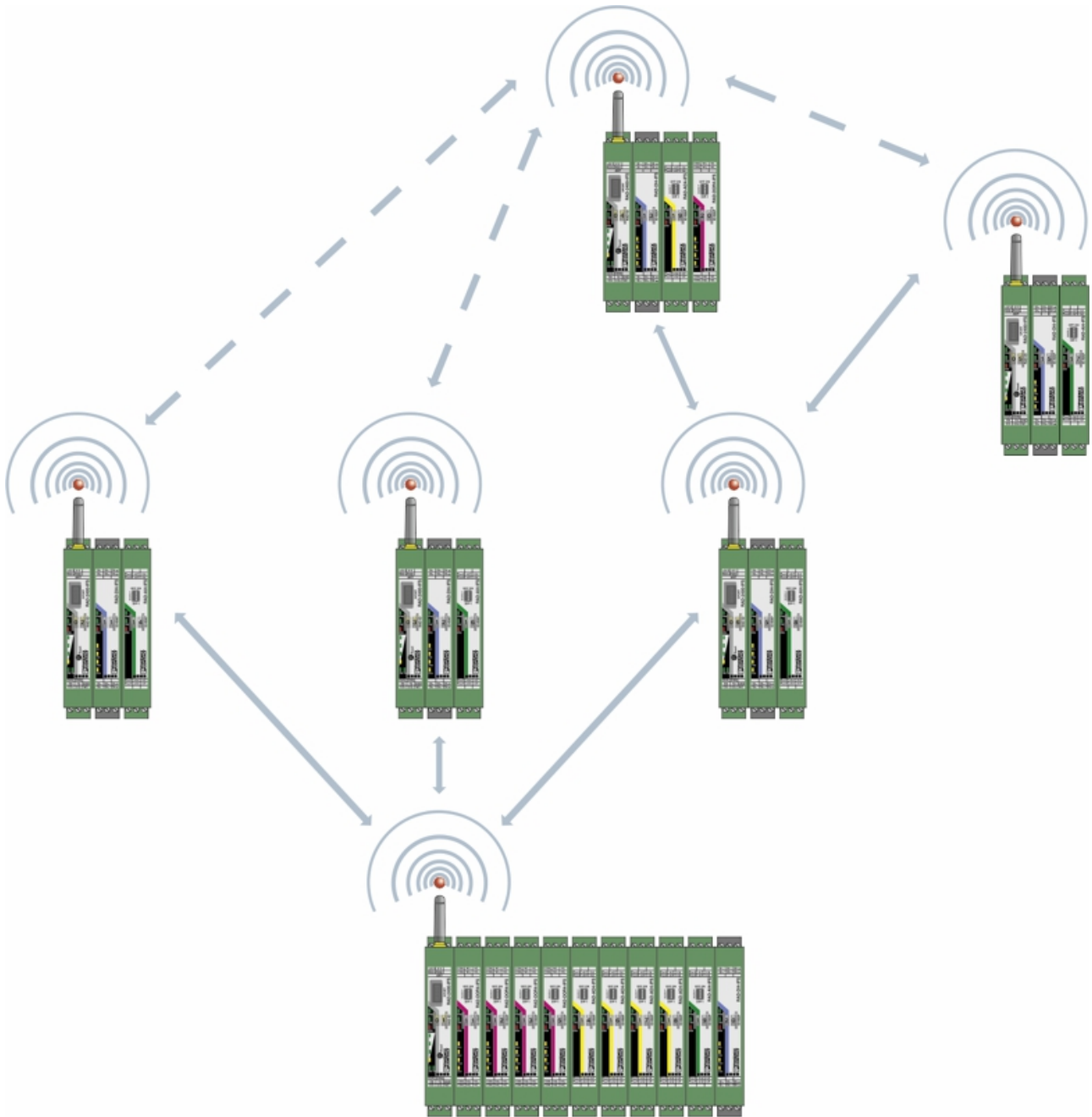
Application drawing



Serial data mode

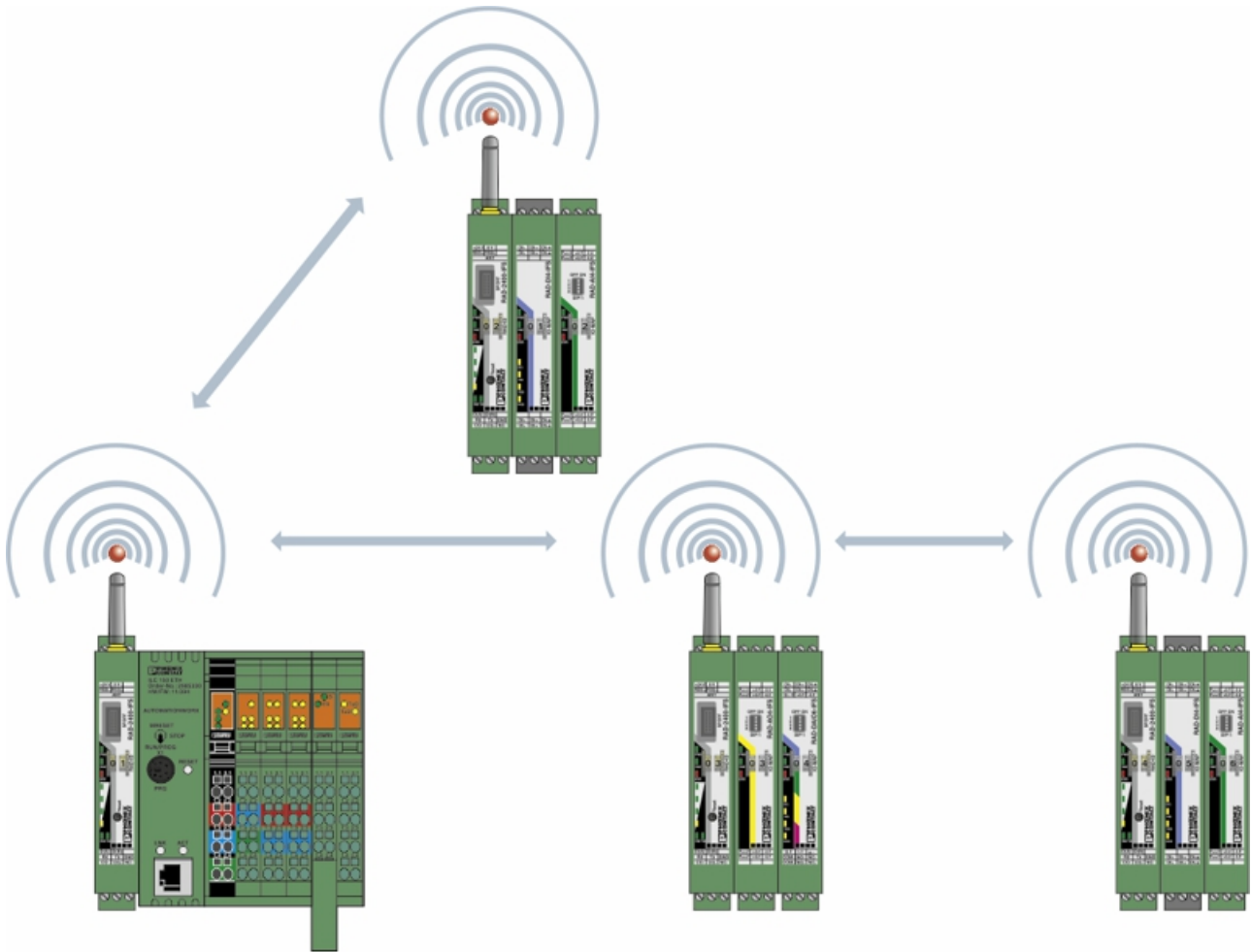
Wireless module - RAD-2400-IFS - 2901541

Application drawing



Wireless module - RAD-2400-IFS - 2901541

Application drawing



Wireless module - RAD-2400-IFS - 2901541

Articles in set

DIN rail bus connectors - ME 17,5 TBUS 1,5/ 5-ST-3,81 GN - 2709561



DIN rail connector for DIN rail mounting. Universal for TBUS housing. Gold-plated contacts, 5-pos.

Classifications

eCl@ss

| | |
|---------------|----------|
| eCl@ss 10.0.1 | 19179290 |
| eCl@ss 4.0 | 27230200 |
| eCl@ss 4.1 | 27230200 |
| eCl@ss 5.0 | 27242200 |
| eCl@ss 5.1 | 27242200 |
| eCl@ss 6.0 | 19179200 |
| eCl@ss 7.0 | 19179290 |
| eCl@ss 8.0 | 19179290 |
| eCl@ss 9.0 | 19179290 |

ETIM

| | |
|----------|----------|
| ETIM 3.0 | EC001423 |
| ETIM 4.0 | EC000310 |
| ETIM 5.0 | EC000310 |
| ETIM 6.0 | EC000310 |
| ETIM 7.0 | EC000310 |

UNSPSC

| | |
|---------------|----------|
| UNSPSC 6.01 | 30211506 |
| UNSPSC 7.0901 | 43223108 |
| UNSPSC 11 | 39121008 |
| UNSPSC 12.01 | 43223108 |
| UNSPSC 13.2 | 43222604 |
| UNSPSC 18.0 | 43222604 |
| UNSPSC 19.0 | 43222604 |
| UNSPSC 20.0 | 43222604 |
| UNSPSC 21.0 | 43222604 |

Approvals

Approvals

Wireless module - RAD-2400-IFS - 2901541

Approvals

Approvals

NCC / UL Listed / cUL Listed / KC / NOM / cULus Listed

Ex Approvals

IECEX / ATEX / UL Listed / cUL Listed / EAC Ex / cULus Listed

Approval details

| | |
|-----|----------------|
| NCC | CCAJ18LP1990T7 |
|-----|----------------|

| | | | |
|-----------|--|---|---------------|
| UL Listed | | http://database.ul.com/cgi-bin/XYV/template/LISEXT/1FRAME/index.htm | FILE E 238705 |
|-----------|--|---|---------------|

| | | | |
|------------|--|---|---------------|
| cUL Listed | | http://database.ul.com/cgi-bin/XYV/template/LISEXT/1FRAME/index.htm | FILE E 238705 |
|------------|--|---|---------------|

| | | | |
|----|--|---|----------------------|
| KC | | http://eng.kcc.go.kr/user/ehpMain.do | MSIP-CRI-PCK-2901541 |
|----|--|---|----------------------|

| | |
|-----|---------------|
| NOM | RCPHRA17-1112 |
|-----|---------------|

| | |
|--------------|--|
| cULus Listed | |
|--------------|--|

Accessories

Accessories

Antenna

Antenna - RAD-ISM-2400-ANT-OMNI-2-1-RSMA - 2701362



Omnidirectional antenna, 2.4 GHz, gain: 2 dBi, polarization: linear, opening angle: h/v 360°/75°, degree of protection: IP65, connection: RSMA (male), incl. 1.5 m / 5 ft. connecting cable and mounting bracket for wall mounting

Wireless module - RAD-2400-IFS - 2901541

Accessories

Antenna - RAD-ISM-2400-ANT-VAN-3-0-RSMA - 2701358



Omnidirectional antenna with protection against vandalism, 2.4 GHz, gain: 3 dBi, polarization: linear, opening angle: h/v 360°/85°, degree of protection: IP55, connection: RSMA (male), for control cabinet mounting (optional wall mounting), incl. 1.5 m / 5 ft. connecting cable

Antenna - RAD-ISM-2400-ANT-OMNI-6-0 - 2885919



Omnidirectional antenna, 2.4 GHz, gain: 6 dBi, polarization: linear, opening angle: h/v 360°/30°, degree of protection: IP67, seawater-resistant, connection: N (female), incl. mounting bracket and mast clips, ATEX and IECEx approval

Antenna - ANT-DIR-2459-01 - 2701186



Directional antenna, 2.4 GHz/5 GHz, gain: 9 dBi, polarization: linear, opening angle: h/v 75°/55°, degree of protection: IP67, seawater-resistant, connection: N (female), incl. mounting bracket and mast clips, ATEX and IECEx approval

Coaxial adapter

Adapter - RAD-ADP-N/F-N/F - 2867843



Antenna adapter for control cabinet feed-through, frequency range: 0.3 GHz ... 6 GHz, degree of protection: IP65, connection: 2 x N (female)

Antenna barrier - BAR-ANT-N-N-EX - 2702198



Antenna barrier for control cabinet feed-through, type of protection: Ex i, degree of protection: IP65, barrier installation: Zone 2 / 22, antenna installation: in dust and gas Ex area, frequency range: 0.3 GHz ... 6 GHz, connection: 2 x N (female), ATEX, EAC Ex and IECEx approval

Wireless module - RAD-2400-IFS - 2901541

Accessories

Antenna splitter - RAD-SPL-2-N/N - 2702293



Antenna splitter, frequency range: 0.3 GHz ... 6 GHz, degree of protection: IP65, connection: 3 x N (female), suitable connection cable for the antenna connection (Order No. 2700677)

Adapter - RAD-ADP-RSMA/M-RSMA/F-90 - 2904790



Antenna adapter, frequency range: 0.3 GHz ... 6 GHz, connection: RSMA (male) -> RSMA (female), 90° angled

Coaxial cable

Antenna cable - RAD-PIG-EF316-N-RSMA - 2701402



Antenna cable for control cabinet feed-through, outside diameter: 3.2 mm (0.126 in.), inner conductor: stranded, attenuation: 0.6 / 0.9 / 1.4 dB at 0.9 / 2.4 / 5.8 GHz, connection: N (female) -> RSMA (male), cable length: 0.5 m (1.6 ft.)

Antenna cable - RAD-PIG-RSMA/N-0.5 - 2903263



Antenna cable, outside diameter: 5 mm (0.2 in.), inner conductor: solid, attenuation: 0.4 / 0.5 / 0.6 dB at 0.9 / 2.4 / 5.8 GHz, connection: N (male) -> RSMA (male), cable length: 0.5 m (1.6 ft.)

Antenna cable - RAD-PIG-RSMA/N-1 - 2903264



Antenna cable, outside diameter: 5 mm (0.2 in.), inner conductor: solid, attenuation: 0.5 / 0.8 / 1.1 dB at 0.9 / 2.4 / 5.8 GHz, connection: N (male) -> RSMA (male), cable length: 1 m (3.3 ft.)

Wireless module - RAD-2400-IFS - 2901541

Accessories

Antenna cable - RAD-PIG-RSMA/N-2 - 2903265



Antenna cable, outside diameter: 5 mm (0.2 in.), inner conductor: solid, attenuation: 0.9 / 1.3 / 2.0 dB at 0.9 / 2.4 / 5.8 GHz, connection: N (male) -> RSMA (male), cable length: 2 m (6.5 ft.)

Antenna cable - RAD-PIG-RSMA/N-3 - 2903266



Antenna cable, outside diameter: 5 mm (0.2 in.), inner conductor: solid, attenuation: 1.2 / 2.0 / 3.0 dB at 0.9 / 2.4 / 5.8 GHz, connection: N (male) -> RSMA (male), cable length: 3 m (10 ft.)

Antenna cable - RAD-PIG-RSMA/N-5 - 2702140



Antenna cable, outside diameter: 5 mm (0.2 in.), inner conductor: solid, attenuation: 2.0 / 3.3 / 4.8 dB at 0.9 / 2.4 / 5.8 GHz, connection: N (male) -> RSMA (male), cable length: 5 m (16 ft.)

Antenna cable - FL LCX PIG-EF142-N-N - 2700677



Antenna cable, outside diameter: 5 mm (0.2 in.), inner conductor: stranded, attenuation: 0.3 / 0.5 / 0.8 dB at 0.9 / 2.4 / 5.8 GHz, connection: 2 x N (male), cable length: 0.5 m (1.6 ft.)

Antenna cable - RAD-CAB-EF393- 3M - 2867649



Antenna cable, outside diameter: 10 mm (0.4 in.), inner conductor: stranded, attenuation: 1.0 / 1.8 / 3.1 dB at 0.9 / 2.4 / 5.8 GHz, connection: 2 x N (male), cable length: 3 m (10 ft.)

Wireless module - RAD-2400-IFS - 2901541

Accessories

Antenna cable - RAD-CAB-EF393- 5M - 2867652



Antenna cable, outside diameter: 10 mm (0.4 in.), inner conductor: stranded, attenuation: 1.6 / 2.9 / 5.0 dB at 0.9 / 2.4 / 5.8 GHz, connection: 2 x N (male), cable length: 5 m (16 ft.)

Antenna cable - RAD-CAB-EF393-10M - 2867665



Antenna cable, outside diameter: 10 mm (0.4 in.), inner conductor: stranded, attenuation: 2.9 / 5.6 / 9.9 dB at 0.9 / 2.4 / 5.8 GHz, connection: 2 x N (male), cable length: 10 m (32 ft.)

Antenna cable - RAD-CAB-EF393-15M - 2885634



Antenna cable, outside diameter: 10 mm (0.4 in.), inner conductor: stranded, attenuation: 4.3 / 8.3 / 14.8 dB at 0.9 / 2.4 / 5.8 GHz, connection: 2 x N (male), cable length: 15 m (50 ft.)

Communication module

Communication module - RAD-RS485-IFS - 2702184



Radioline - RS-485 multipoint multiplexer, can be extended with I/O modules, can be used as Modbus/RTU bus coupler or can be combined with Radioline wireless system, up to 99 stations, range of up to 1.2 km on in-house copper cables

Configuration memory

Configuration memory - RAD-CONF-RF3 - 2902814



Radioline - configuration stick for easy and safe network addressing for the 2.4 GHz wireless module (RAD-2400-...), unique network ID, RF band 3

Wireless module - RAD-2400-IFS - 2901541

Accessories

Configuration memory - RAD-CONF-RF5 - 2902815



Radioline - configuration stick for easy and safe network addressing for the 2.4 GHz wireless module (RAD-2400-...), unique network ID, RF band 5

Configuration memory - RAD-CONF-RF7 - 2902816



Radioline - configuration stick for easy and safe network addressing for the 2.4 GHz wireless module (RAD-2400-...), unique network ID, RF band 7

Configuration memory - RAD-MEMORY - 2902828



Radioline - memory stick for saving custom configuration data

Control box

Wireless module - RAD-RUGGED-BOX-CONF - 1091638



Radioline switchgear and controlgear assembly in impact-proof IP66 outdoor housing with universal power supply 100...240 V AC, surge protection and antenna feedthrough. Type of wireless module (frequency band), type and number of I/O extension modules are configurable.

DIN rail connector

DIN rail bus connectors - ME 17,5 TBUS 1,5/ 5-ST-3,81 GN - 2709561



DIN rail connector for DIN rail mounting. Universal for TBUS housing. Gold-plated contacts, 5-pos.

Extension module

Wireless module - RAD-2400-IFS - 2901541

Accessories

I/O extension module - RAD-DAIO6-IFS - 2901533



Radioline - I/O extension module, 2 digital inputs and outputs (0 ... 250 V AC/DC) and 1 analog input (0/4 ... 20 mA) and output (0/4 ... 20 mA, 0 ... 10 V)

I/O extension module - RAD-DI4-IFS - 2901535



Radioline - I/O extension module, 4 digital inputs (0 ... 250 V AC/DC)

I/O extension module - RAD-DOR4-IFS - 2901536



Radioline - I/O extension module, 4 digital relay outputs (5 A, 250 V AC/DC)

I/O extension module - RAD-DI8-IFS - 2901539



Radioline - I/O extension module, 8 digital inputs (0 ... 30.5 V DC) or 2 pulse inputs up to 100 Hz

I/O extension module - RAD-NAM4-IFS - 2316275



Radioline - I/O extension module, 4 NAMUR digital input module used in Radioline and PROFIBUS PA MUX I/O systems. Fulfills the NAMUR proximity sensor standard EN 60947-5-6, and communication to the head stations for Radioline systems and the FB-MUX/HS...PA via the T-BUS connector installed on the DIN rail. This module has channel-to-channel isolation.

Wireless module - RAD-2400-IFS - 2901541

Accessories

I/O extension module - RAD-DO8-IFS - 2902811



Radioline - I/O extension module, 8 digital transistor outputs (30.5 V DC/200 mA)

I/O extension module - RAD-AI4-IFS - 2901537



Radioline - I/O extension module, 4 analog current inputs (0/4 mA ... 20 mA)

I/O extension module - RAD-AI4-U-IFS - 2702290



Radioline - I/O extension module, 4 analog voltage inputs (0 ... 5 V, 0 ... 10 V)

I/O extension module - RAD-AO4-IFS - 2901538



Radioline - I/O extension module, 4 analog current or voltage outputs (0/4 mA ... 20 mA, 0 V ... 10 V)

I/O extension module - RAD-PT100-4-IFS - 2904035



Radioline - I/O extension module, 4 Pt 100 inputs (-50°C ... +250°C / -58 °F ... 482 °F)

Interface converter

Wireless module - RAD-2400-IFS - 2901541

Accessories

Interface converters - FL COMSERVER UNI 232/422/485 - 2313452



Second generation FL COMSERVER UNI..., serial device server for converting a serial 232/422/485 interface to Ethernet, supports TCP, UDP, Modbus gateway, and PPP applications, incl. COM port redirector software and user documentation

Mounting material

Weather protection tape - RAD-TAPE-SV-19-3 - 2903182



Vulcanizing sealing tape for external protection of adapters, cable connections, etc. against the effects of weather, roll length: 3 m

Power supply

Power supply unit - MINI-SYS-PS-100-240AC/24DC/1.5 - 2866983



Primary-switched MINI POWER supply for DIN rail mounting, input: 1-phase, output: 24 V DC/1.5 A

Programming cable

Cable for programming - RAD-CABLE-USB - 2903447



Radioline - USB data cable for communication between the PC and Radioline devices, energy supply for diagnostics and configuration via the USB port of the PC, cable length: 2 m / 6.5 ft

Shield connection clamp

Shield connection clamp - SKS 8-SNS35 - 3062786



Shield connection terminal block, for applying the shield to busbars

Wireless module - RAD-2400-IFS - 2901541

Accessories

Surge protection for information technology

Surge protection device - TTC-6P-3-HF-F-M-12DC-PT-I - 2906796



Surge protection, consisting of protective plug and base element, with integrated status indicator and knife disconnection for three signal wires with common reference potential. For HF applications and telecommunications interfaces without supply voltage. Indirect grounding via gas-filled surge arrester.

Surge protection for transceiver systems

Surge protection device - CN-LAMBDA/4-5.9-BB - 2838490



Attachment plug with Lambda/4 technology as surge protection for coaxial signal interfaces. Connection: N connectors socket-socket

Additional products

I/O extension module - RAD-DAIO6-IFS - 2901533



Radioline - I/O extension module, 2 digital inputs and outputs (0 ... 250 V AC/DC) and 1 analog input (0/4 ... 20 mA) and output (0/4 ... 20 mA, 0 ... 10 V)

I/O extension module - RAD-DI4-IFS - 2901535



Radioline - I/O extension module, 4 digital inputs (0 ... 250 V AC/DC)

I/O extension module - RAD-DOR4-IFS - 2901536



Radioline - I/O extension module, 4 digital relay outputs (5 A, 250 V AC/DC)

Wireless module - RAD-2400-IFS - 2901541

Accessories

I/O extension module - RAD-DI8-IFS - 2901539



Radioline - I/O extension module, 8 digital inputs (0 ... 30.5 V DC) or 2 pulse inputs up to 100 Hz

I/O extension module - RAD-DO8-IFS - 2902811



Radioline - I/O extension module, 8 digital transistor outputs (30.5 V DC/200 mA)

I/O extension module - RAD-AI4-IFS - 2901537



Radioline - I/O extension module, 4 analog current inputs (0/4 mA ... 20 mA)

I/O extension module - RAD-AO4-IFS - 2901538



Radioline - I/O extension module, 4 analog current or voltage outputs (0/4 mA ... 20 mA, 0 V ... 10 V)

I/O extension module - RAD-PT100-4-IFS - 2904035



Radioline - I/O extension module, 4 Pt 100 inputs (-50°C ... +250°C / -58 °F ... 482 °F)
