

Power distributor - VS-PPC-J-4X-1227 - 1405387

Please be informed that the data shown in this PDF Document is generated from our Online Catalog. Please find the complete data in the user's documentation. Our General Terms of Use for Downloads are valid (<http://phoenixcontact.com/download>)

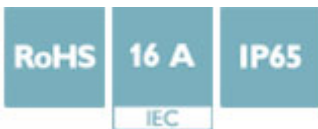
Power H distributor, 4 x MSTB contact inserts, metal housing, without mounting screws




Power H distributor

Product Description

Power H distributor



Key Commercial Data

Packing unit	1 pc
GTIN	 4 046356 419918
GTIN	4046356419918
Weight per Piece (excluding packing)	133.600 g
Custom tariff number	85444290
Country of origin	Germany

Technical data

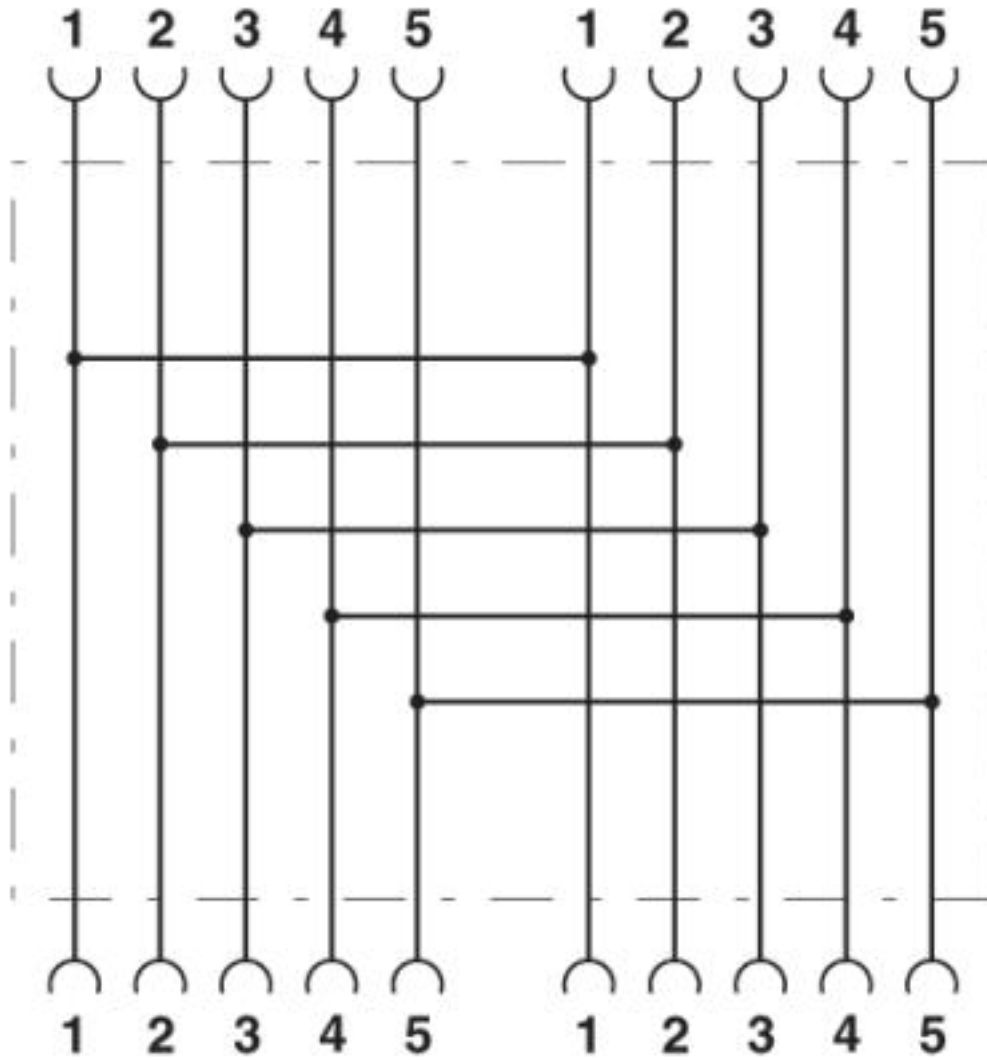
Environmental Product Compliance

China RoHS	For details about hazardous substances go to tab "Downloads", Category "Manufacturer's declaration"
------------	---

Drawings

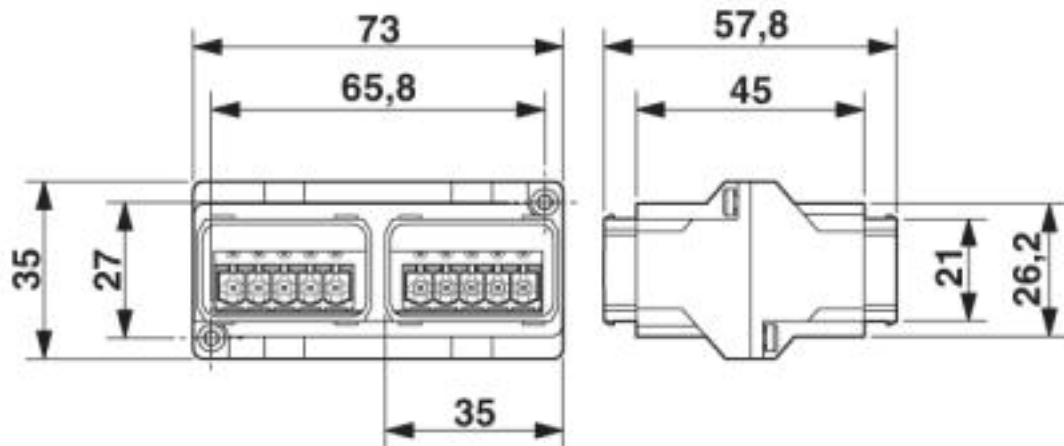
Power distributor - VS-PPC-J-4X-1227 - 1405387

Circuit diagram



Power distributor - VS-PPC-J-4X-1227 - 1405387

Dimensional drawing



Classifications

eCl@ss

eCl@ss 10.0.1	27440390
eCl@ss 4.0	27260700
eCl@ss 4.1	27260700
eCl@ss 5.0	27260700
eCl@ss 5.1	27260700
eCl@ss 6.0	27260700
eCl@ss 7.0	27440312
eCl@ss 8.0	27149009
eCl@ss 9.0	27440390

ETIM

ETIM 3.0	EC000374
ETIM 4.0	EC000374
ETIM 5.0	EC000374
ETIM 6.0	EC001121
ETIM 7.0	EC001121

UNSPSC

UNSPSC 6.01	31261501
UNSPSC 7.0901	31261501
UNSPSC 11	31261501
UNSPSC 12.01	31261501
UNSPSC 13.2	31261501
UNSPSC 18.0	39121409
UNSPSC 19.0	39121409
UNSPSC 20.0	39121409
UNSPSC 21.0	39121409

Power distributor - VS-PPC-J-4X-1227 - 1405387

Approvals


Approvals

Approvals

EAC

Ex Approvals

Approval details

EAC		B.01687
-----	---	---------

Accessories

Additional products

Assembly adapters - VS-PPC-J-M - 1405390



Mounting foot for the power H distributors, plastic

Power connectors - CUC-PPC-C2ZNI-SX/24FKP5 - 1421783



Power connectors, degree of protection: IP65/IP67, number of positions: 5, material: Zinc die-cast, connection cross section: AWG 18- 13, cable outlet: straight

Power connectors - CUC-PPC-C2ZNI-SS/24FKP5 - 1421785



Power connectors, degree of protection: IP65/IP67, number of positions: 5, material: Zinc die-cast, connection cross section: AWG 18- 13, cable outlet: straight

Power distributor - VS-PPC-J-4X-1227 - 1405387

Accessories

Power connectors - CUC-PPC-C2ZNI-SX/24FKP5:FC - 1425514



Power connectors, degree of protection: IP65/IP67, number of positions: 5, material: Zinc die-cast, connection cross section: AWG 18- 13, cable outlet: straight

Power connectors - CUC-PPC-C2ZNI-SS/24FKP5:FC - 1425515



Power connectors, degree of protection: IP65/IP67, number of positions: 5, material: Zinc die-cast, connection cross section: AWG 18- 13, cable outlet: straight
