

Data interface - SI-RND-R1A - 1425186


Please be informed that the data shown in this PDF Document is generated from our Online Catalog. Please find the complete data in the user's documentation. Our General Terms of Use for Downloads are valid (<http://phoenixcontact.com/download>)

Service socket with RJ45 (socket/socket), 8-pos. metal, CAT6A connection, with protective cover



RoHS

Key Commercial Data

Packing unit	1 pc
GTIN	 4 055626 386706
GTIN	4055626386706
Weight per Piece (excluding packing)	29.900 g
Custom tariff number	85366990
Country of origin	Germany

Technical data

Mechanical characteristics

Number of positions	8
Connection profile	RJ45
Insertion/withdrawal cycles	≥ 750
Type of contact	Socket

Ambient conditions

Ambient temperature (operation)	-40 °C ... 70 °C
Degree of protection	IP65 (with closed protective cover)

Material data

Flammability rating according to UL 94	V0
Housing material	PA
Contact material	Copper alloy
Contact surface material	gold-plated
Height	42.7 mm

Data interface - SI-RND-R1A - 1425186

Technical data

Electrical characteristics

Number of positions	8
GRP transmission properties	CAT6 _A
Transmission speed	10 Gbps (RJ45 (socket/socket), 8-pos.)

Standards and Regulations

Flammability rating according to UL 94	V0
--	----

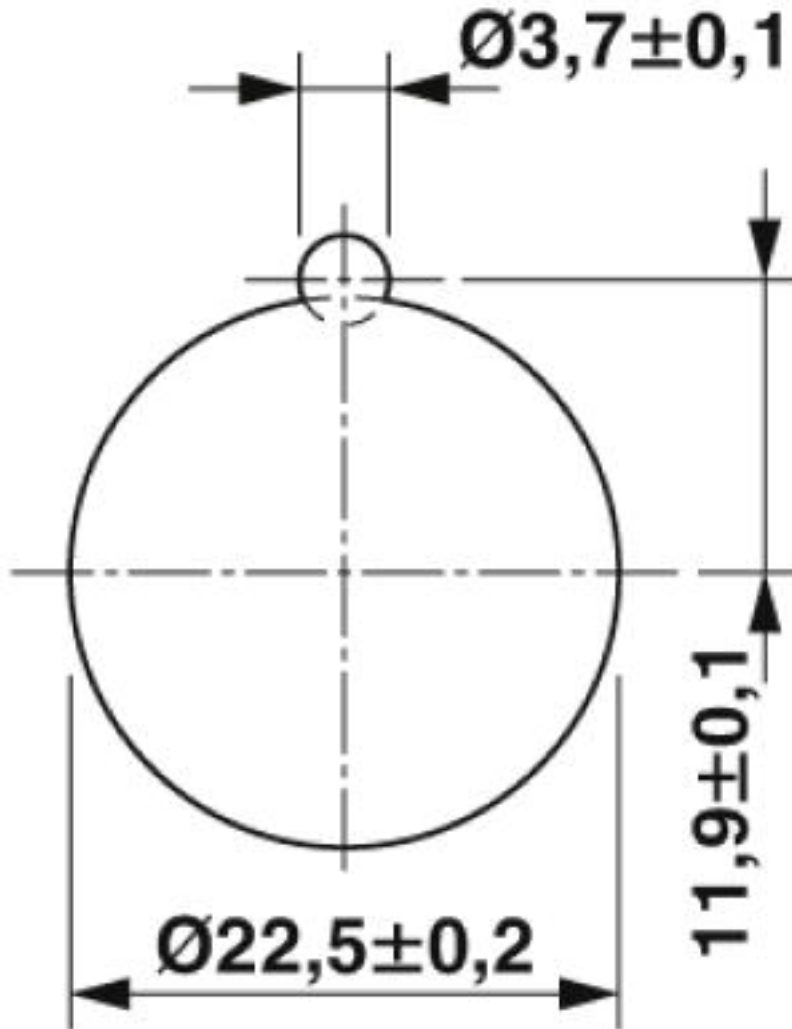
Environmental Product Compliance

	Lead 7439-92-1
China RoHS	Environmentally Friendly Use Period = 50
	For details about hazardous substances go to tab "Downloads", Category "Manufacturer's declaration"

Drawings

Data interface - SI-RND-R1A - 1425186

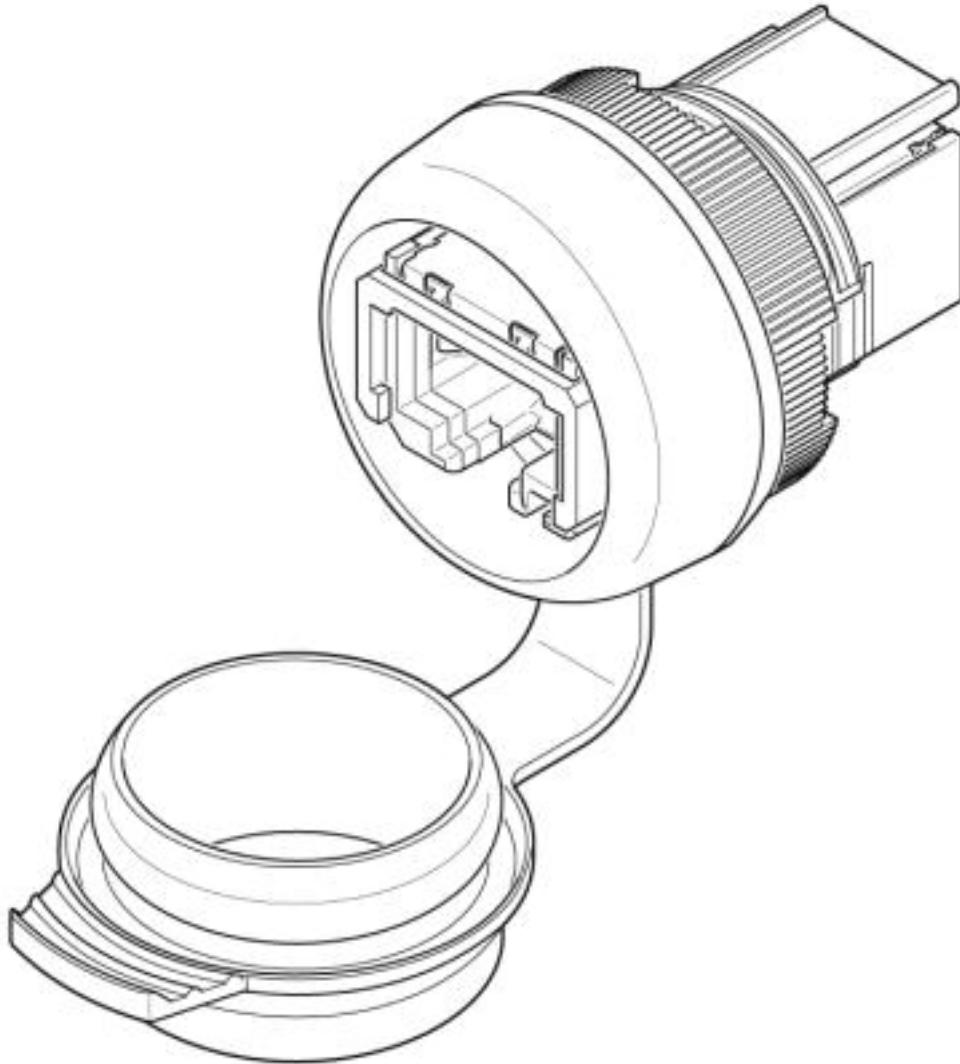
Dimensional drawing



Mounting cutout

Data interface - SI-RND-R1A - 1425186

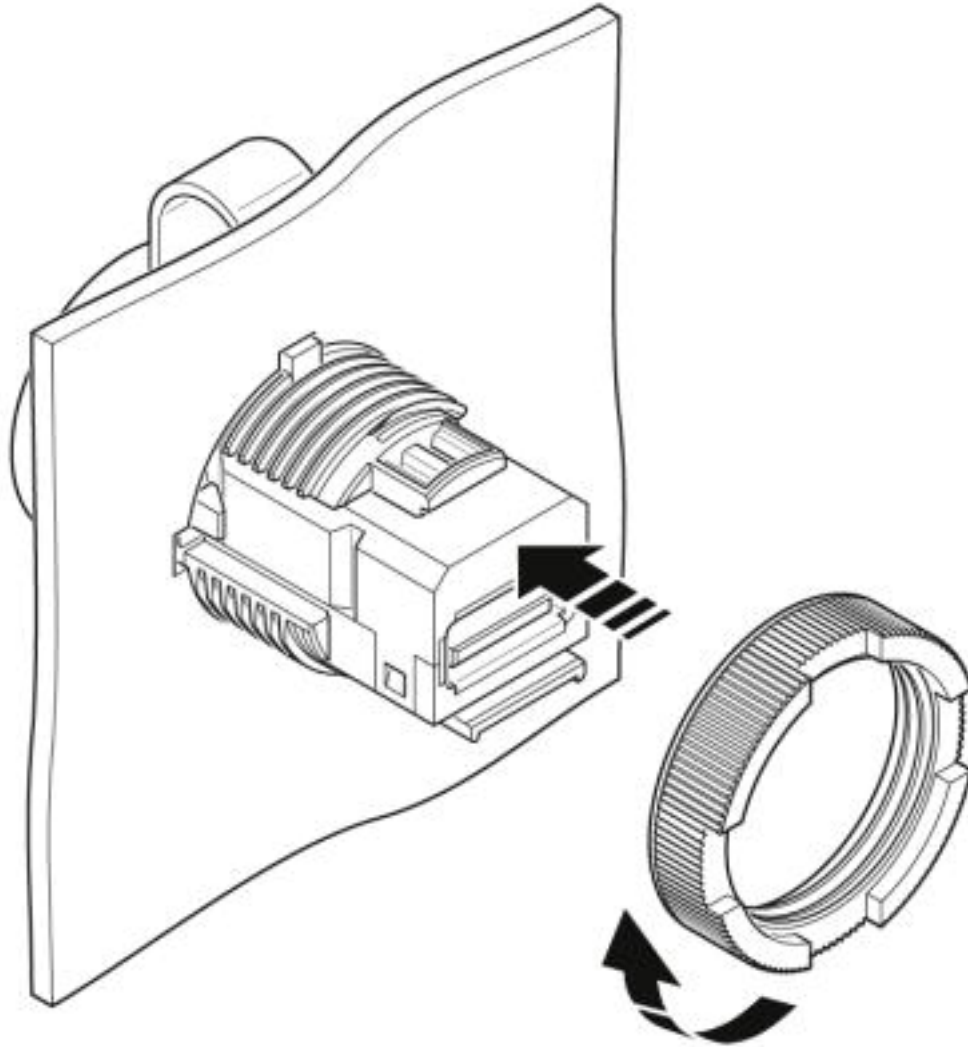
Schematic diagram



Schematic drawing 1

Data interface - SI-RND-R1A - 1425186

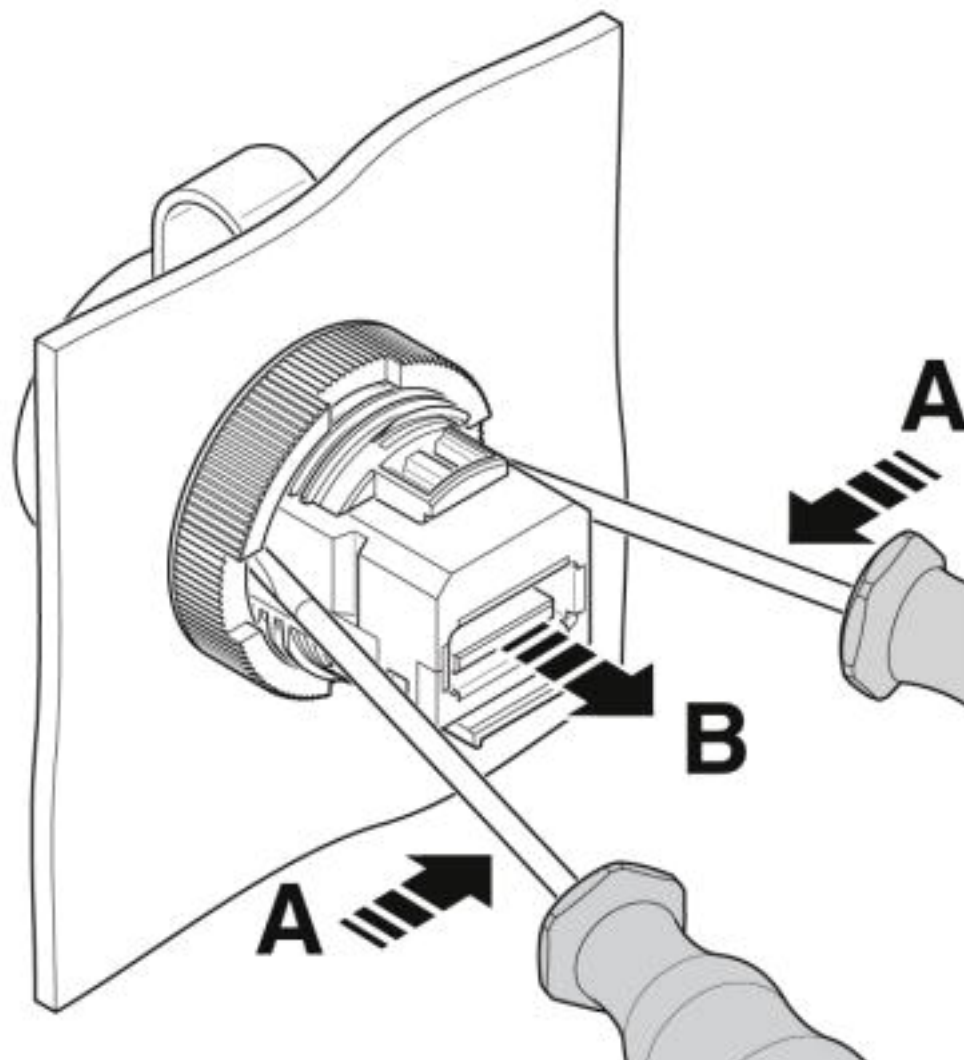
Schematic diagram



Schematic drawing 2

Data interface - SI-RND-R1A - 1425186

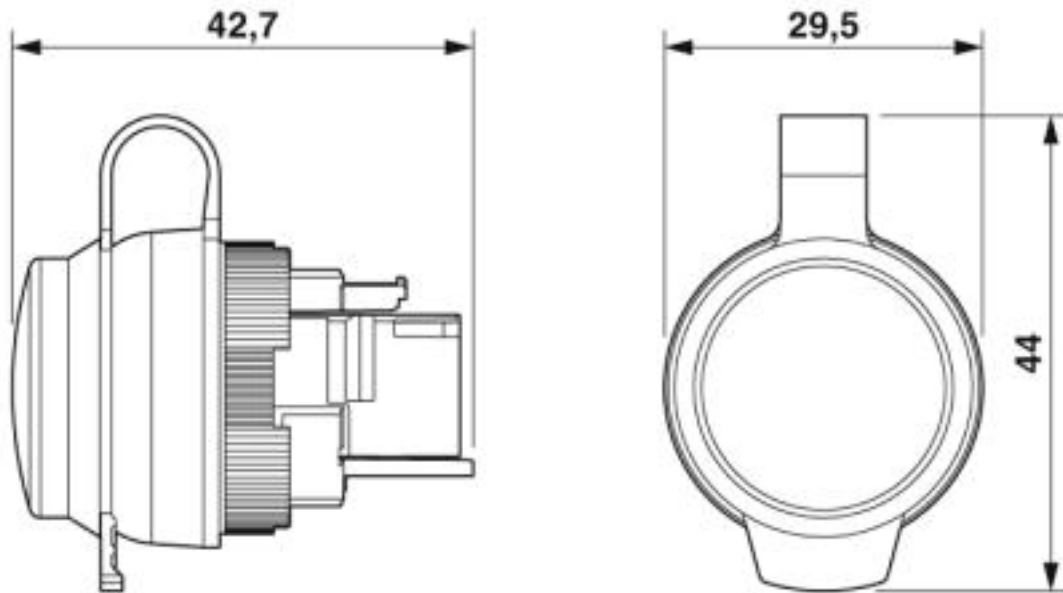
Schematic diagram



Schematic drawing 3

Data interface - SI-RND-R1A - 1425186

Dimensional drawing



Dimensional drawing

Classifications

eCl@ss

eCl@ss 5.0	27189200
eCl@ss 5.1	27189200
eCl@ss 6.0	27189200
eCl@ss 7.0	27189217
eCl@ss 9.0	27189217

ETIM

ETIM 6.0	EC000456
ETIM 7.0	EC000456

Approvals

Approvals

Approvals

UL Listed / cUL Listed / EAC / cULus Listed


Ex Approvals


Approval details


Data interface - SI-RND-R1A - 1425186

Approvals

UL Listed		http://database.ul.com/cgi-bin/XYV/template/LISEXT/1FRAME/index.htm	FILE E 335024
-----------	---	---	---------------

cUL Listed		http://database.ul.com/cgi-bin/XYV/template/LISEXT/1FRAME/index.htm	FILE E 335024
------------	---	---	---------------

EAC			RU C- DE.AI30.B.01102
-----	---	--	--------------------------

cULus Listed			
--------------	---	--	--