

Würth Elektronik eiSos GmbH & Co. KG

EMC & Inductive Solutions

Max-Eyth-Straße 1 · 74638 Waldenburg · Germany

Tel. +49 (0) 79 42 945-0 · Fax +49 (0) 79 42 945-400

eiSos@we-online.de · www.we-online.de



Product / Process Change Notification (PCN)

- Major change
 Minor change

PCN #: PCN_IndCMBNC_20191209

Affected Series: WE-CMBNC-Series;
 P/N: 7448053201, 7448051804, 7448052502,
 7448051012, 7448050530

PCN Date: November 08, 2019

Effective Date: December 09, 2019

Change Category:

- Equipment / Location
 General Data
 Material
 Process
 Product Design
 Shipping / Packaging
 Supplier
 Software

Contact: Product Management

Phone: +49 (0) 7942 - 945 5001

Fax: +49 (0) 7942 - 945 5179

E-Mail: pcn.eisos@we-online.com

Data Sheet Change:

Yes No

Attachment:

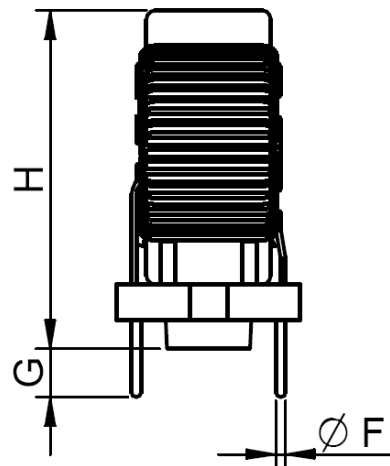
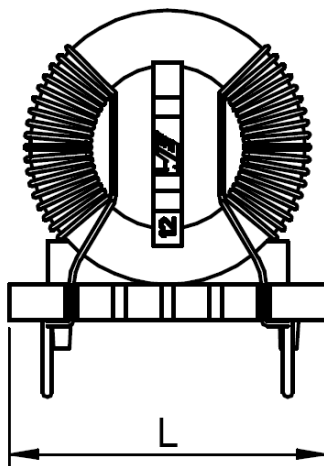
Yes No

DESCRIPTION AND PURPOSE OF CHANGE:

Because of a database mismatch, Würth Elektronik will correct the specified maximal height of the parts. This is a datasheet correction only. There will be no change in form, function, quality or reliability of the product.

DETAIL OF CHANGE:

We are correcting the dimension "H" of the product in our data sheet:



Würth Elektronik eiSos GmbH & Co. KG

EMC & Inductive Solutions

Max-Eyth-Straße 1 · 74638 Waldenburg · Germany

Tel. +49 (0) 79 42 945-0 · Fax +49 (0) 79 42 945-400

eiSos@we-online.de · www.we-online.de



Part number	Dimension "H" before change [mm]	Dimension "H" after change [mm]
7448053201	36 max.	34 max.
7448051804	36 max.	34 max.
7448052502	36 max.	34 max.
7448051012	36 max.	33 max.
7448050530	36 max.	33 max.

RELIABILITY / QUALIFICATION SUMMARY:

There will be no change of the product, therefore no additional reliability or qualification testing will be performed.