

PPC-6121

12.1" Panel PC with 8th Generation Intel® Core™ i/Celeron® Processor



Features

- 12.1" TFT XGA LCD panel with resistive touch control
- 8th generation Intel® Core™ i/Celeron® processor (thermal power design: 35W)
- 2 x 260-pin SO-DIMM DDR4 2666 MHz (max. 32 GB)
- 1 x M.2 2230 (E key)
- 1 x mSATA bay (support RAID 0&1)
- 1 x Optional TPM2.0
- 1 x Optional PCI/PCIe x4 expansion kit
- 1 x Isolated RS422/485 (terminal block)
- 1 x VGA and 1 x HDMI
- Dual GbE with Intel® AMT12.0 support



Introduction

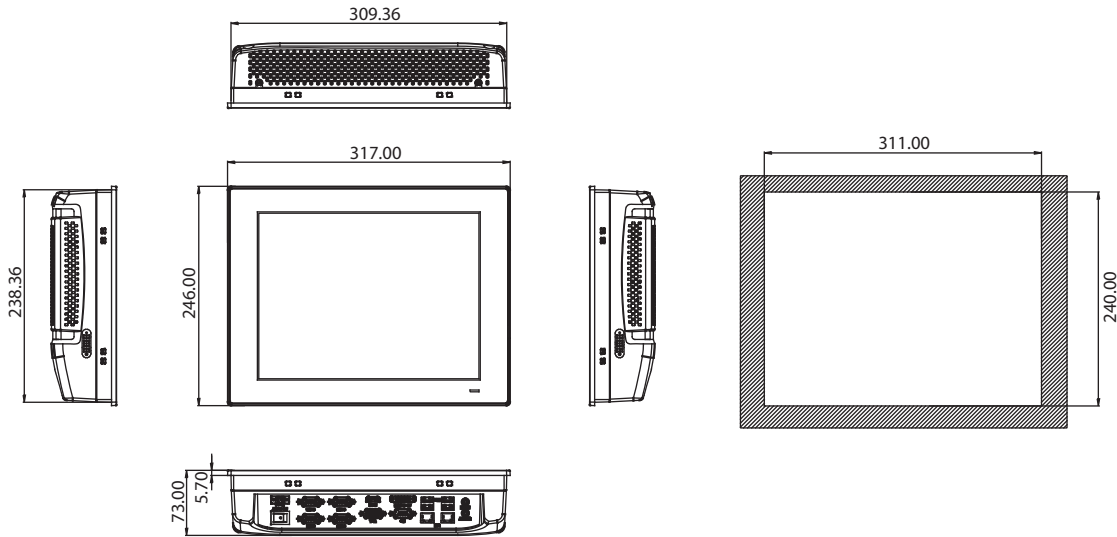
The PPC-6121 is a 12.1" color TFT LCD panel PC that supports 8th generation Intel® Core™ i/Celeron® processors for high-performance computing. Featuring various connectors, PPC-6121 can be easily installed to support diverse application. Additionally, the system's user-friendly interface makes it ideal for information-based applications. The provision of 4 x RS-232, 1 x isolated RS422/485, and dual Intel® Gigabit Ethernet connectors with Intel® AMT support, as well as 1 x expansion slot, makes PPC-6121 a highly reliable and versatile display platform.

Specifications

Processor System	CPU	i7-8700T	i5-8500T	i3-8100T	Pentium G5400T	Celeron G4900T
	Cores	6	6	4	2	2
	Frequency	2.4 GHz (up to 4.0 GHz)	2.1 GHz (up to 3.5 GHz)	3.1 GHz	3.1 GHz	2.9 GHz
	L3 Cache	12 MB	9 MB	6 MB	4 MB	2 MB
	TDP	35W	35W	35W	35W	35W
	Chipset	Q370				
	Memory	2 x 260-pin SO-DIMM DDR4 2666 MHz (max. 32 GB)				
	Storage	1 x 2.5" SATA bay; 1 x mSATA bay (SATA HDD+mSATA support RAID 0&1)				
	Network (LAN)	2 x 10/100/1000 Mbps Ethernet (Intel I219-LM + Intel I211) , supports Intel AMT 12.0 (only i7 /i5 support)				
	I/O ports	4 x RS-232, 1 x RS-422/485 with 1K VDC isolation, 4 x USB3.1 1 x DB15 VGA, 1 x HDMI 1.4 1 x Mic in, 1 x Line out 1 x GPIO(TTL, 8 pin programmable) 1 x TPM2.0 (optional)				
	Expansion	1 x M.2 2230(E key) 1 x PCIe x4 or 1 x PCI (optional)				
	Watchdog Timer	255 timer levels; setup by software				
	Speaker	2 x 1W				
	SYS Fan	40 x 40 x 10 mm (1.57 x 1.57 x 0.39 in)				
Physical Characteristics	Dimensions	317 x 246 x 73mm(12.48 x 9.69 x 2.87 in)				
	Weight	3.8 kg (8.38 lb)				
OS Support	OS Support	Microsoft® Windows 10 64bit, Linux (Ubuntu; Fedora 28)				
Power Consumption	Input Voltage	12 ~ 30V _{DC}				
	Power Consumption	120W (Burn-in test 8.1, Windows 10 64bit, i7-8700T, 16G RAM, 500G HDD)				
LCD Display	Display Type	12.1" TFT LCD panel				
	Max. Resolution	1024 x 768				
	Viewing Angle	89 (left), 89 (right), 89 (up), 89 (down)				
	Luminance (cd/m ²)	600				
	Contrast Ratio	1000				
	Backlight Lifetime	50,000 hr (min.)				

Dimensions

Unit: mm



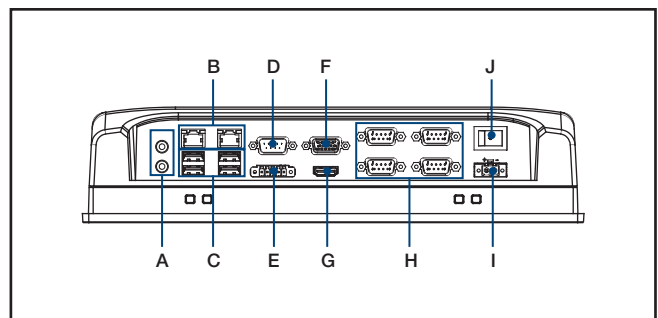
Panel Cutout Dimensions: 311 x 240 mm (12.24 x 9.44 in)

Touchscreen	Touch Type	5-wire resistive
	Light Transmission	80±5% at 550nm wavelength
	Controller	USB interface
	Durability (Touches)	Greater than 35 million touches in one location without failure
Environment	Operating Temperature	0 ~ 50 °C (32 ~ 122 °F)
	Storage Temperature	-40 ~ 90 °C (-40 ~ 194 °F)
	Relative Humidity	10 ~ 95% @ 40 °C (non-condensing)
	Shock	Operating 10 G peak acceleration (11 ms duration), follow IEC 60068-2-27
	Vibration	Operating Random Vibration Test 5 ~ 500Hz, 1Grms @with HDD, follow IEC 60068-2-64
	EMC	CE, FCC Class A, BSMI
	Safety	CB, UL,CCC, BSMI
	Front Panel Protection	IP65 compliant

Ordering Information

Part Number	Description
PPC-6121-R8IA	12.1" 8th Gen Intel® Core™ i/Celeron® panel PC with resistive touchscreen
PPC-6121-R8IAU	12.1" 8th Gen Intel® Core™ i/Celeron® panel PC with resistive touchscreen(for U.S. only)
1702002600	Power Cable UL/CSA (USA) 180D 125V10A 1.83M
1702002605	Power Cable 90D 220V EUROPEAN 250V/6A 1.8M
96CB-POWER-B-1.8MA	POWER CORD for China 1.8M
PPC-174T-WL-MTE	Wall mount kit for PPC series
PPC-ARM-A03	PPC ARM VESA Standard
PPC-STAND-A1E	Stand For PPC Series
98R3P612100	TPM module for PPC-6121
PPC-WLAN-C1E	WiFi Module with Antenna Cable 40cm for PPC
98R36121000	Add-on box for PCI or PCIe expansion (include PCI / PCIe riser card)
96PSA-A150W19P2-3	ADP A/D 100-240V 150W 19V C14 TERMINAL BLOCK 2P

I/O View



- A. 1 x Line-out/ Mic-in
- B. 2 x Intel Gigabit Ethernet
- C. 4 x USB3.1
- D. 1 x GPIO
- E. 1 x isolated RS-422/485
- F. 1 x VGA
- G. 1 x HDMI
- H. 4 x RS-232
- I. 1 x DC input
- J. 1 x Power button